

WV-FG, WV-2HG, WV-2HSG VENTLESS GRIDDLE/FRYER/COOKTOPS

The ventless hood gives you the flexibility to "set up shop" just about anywhere from malls, stadiums and high-rise buildings to basement kitchens and kiosks.

Griddle (All Models)

- Griddle surface (17 1/4"W x 18 1/4"D) has enclosed **tubular elements** that provide even heat distribution.
- Griddle is controlled by a **positive-off thermostat** adjustable from 100°F to 400°F.
- Griddle features include a full-width **front grease trough**, an extra-large removable **front grease drawer** and a stainless steel **splashguard**.

Fryer (WV-FG, WV-FGRW)

- **Two half-size, rear hanging, interchangeable fry baskets** are provided.
- **Efficient heating element** is flat, heavy-duty stainless steel.
- Fryer **on/off switch** is located in recessed front control panel.
- **The positive-off thermostat** controls the element allowing for adjustable and more consistent temperatures.
- **The fryer has a manual reset safety thermostat** that will shut off the heating element if an over-temperature condition is reached.
- Model WV-FGRW includes a **Wells RW-26 built-in standard double drawer warmer** that replaces lower storage cabinet.

Cooktop (WV-2HG, WV-2HSG, WV-2HGRW, WV-2HSGRW)

- Model WV-2HG has two solid **cast iron 9" french plate** elements that are independently regulated by an infinite control with a positive-off position.
- Model WV-2HSG has two **spiral 8" elements** that are independently regulated by an infinite control with a positive-off position.
- Models WV-2HGRW and WV-2HSGRW include a **Wells RW-26 built-in standard double drawer warmer** that replaces lower storage cabinet.



WV-FGRW

(shown with optional drawer warmer)

Ventless Hood (All Models)

- **Ventless Hood System** exceeds EPA Standard 202 for the release of particulate matter.
- **Interlock System** will not allow heating elements to be energized if any of the filters are not in place.
- **Airflow Sensing System** continually monitors airflow through the filtration system, optimizing performance and grease removal.
- **Ansul® R-102 Fire Suppression System** is built into the ventless hood to provide ultimate protection.
- **Shatter-resistant interior light** for improved visibility.

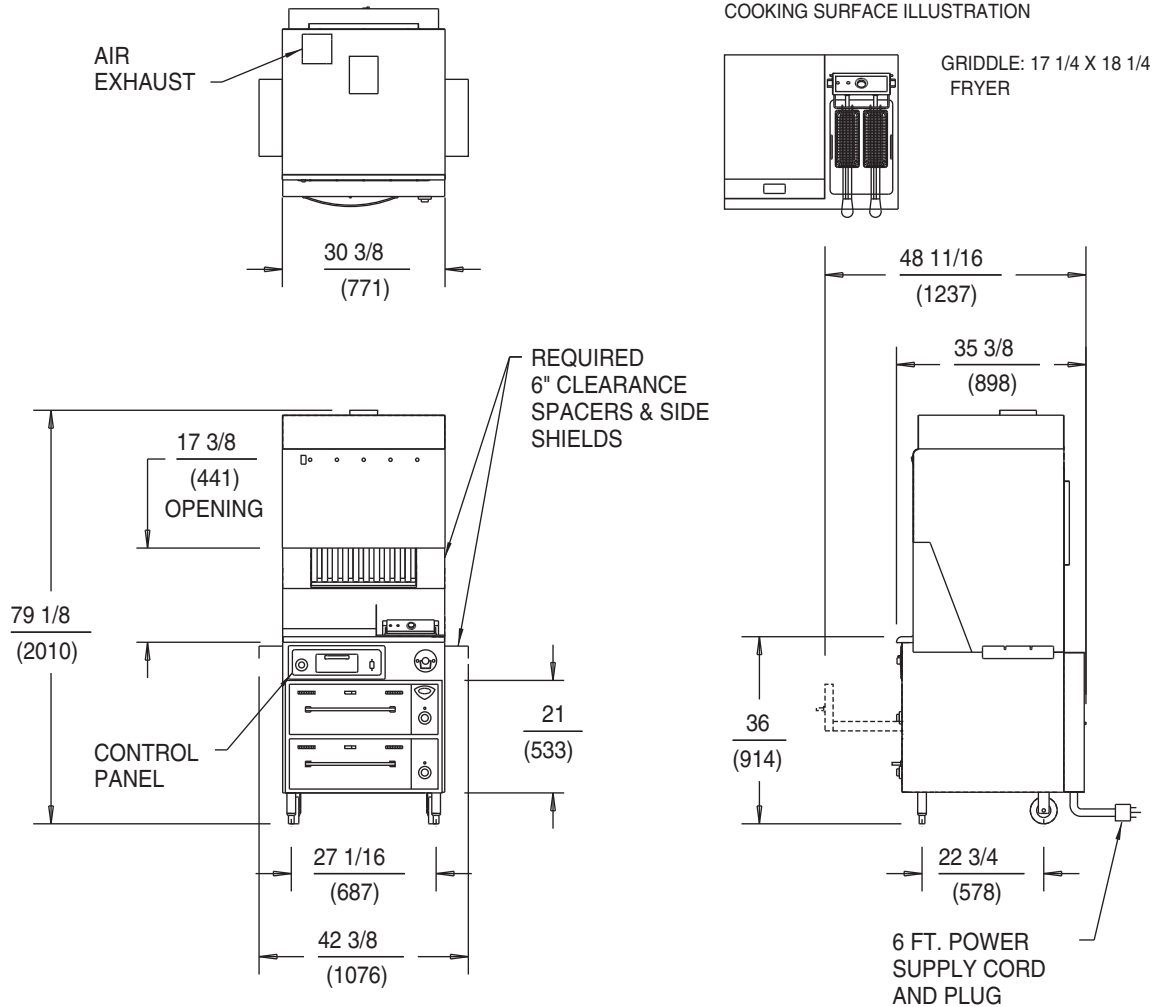




MODEL WV-FG GRIDDLE, FRYER

DIMENSIONS: INCH (MM)

MINIMUM CLEARANCE REQUIRED FROM UNIT TO THE NEAREST SURFACE			
BACK	SIDE	BOTTOM	TOP
NA	SEE REQUIRED SPACERS	6	8
NA		(152)	(203)



WV-FG ELECTRICAL SPECIFICATIONS:

MODELS	VOLTS	WATTS	AMPS PER LINE 3 PHASE			POWER SUPPLY CORD
			L1	L2	L3	
WV-FG	208	10750	30	43	24	NEMA 15-60P
WV-FG	240	11650	26	40	24	NEMA 15-60P
WV-FGRW*	208	11425	32	43	26	NEMA 15-60P
WV-FGRW*	240	12550	28	40	27	NEMA 15-60P

*RW Models include optional RW-26 built-in standard double drawer warmers.

NOTE: Specifications are subject to change without notice.

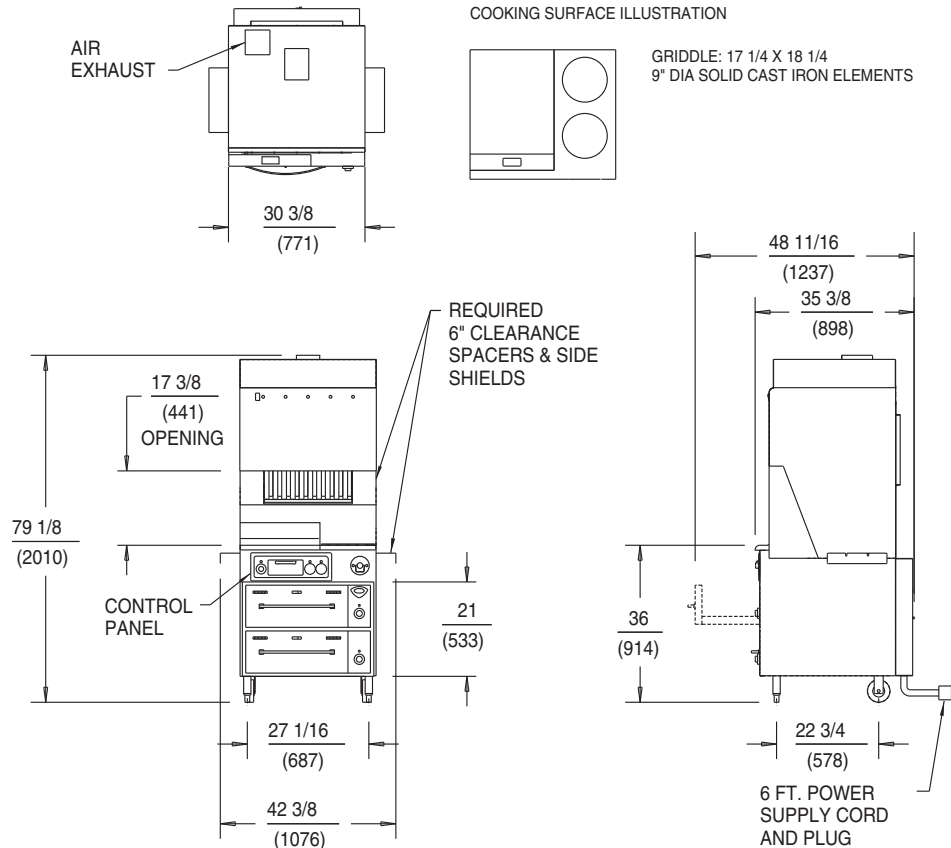
SPECIAL ENVIRONMENTAL NOTICE: The hood system is designed to reduce odor emissions but will not eliminate odors. Air exchange at the installation site must comply with requirements of the local jurisdictional authority. To ensure dilution of odor build-up, minimum recommendation is 400 cubic feet of fresh air per minute both in and out of the area.



MODEL WV-2HG GRIDDLE, 2 CAST IRON ELEMENTS

DIMENSIONS: INCH
 (MM)

MINIMUM CLEARANCE REQUIRED FROM UNIT TO THE NEAREST SURFACE			
BACK	SIDE	BOTTOM	TOP
NA	SEE REQUIRED SPACERS	6 (152)	8 (203)
NA			



WV-2HG ELECTRICAL SPECIFICATIONS:

MODELS	VOLTS	WATTS	AMPS PER LINE 3 PHASE			POWER SUPPLY CORD
			L1	L2	L3	
WV-2HG	208	8000	16	32	23	NEMA 15-60P
WV-2HG	240	9900	18	35	24	NEMA 15-60P
WV-2HGRW*	208	8675	19	32	26	NEMA 15-60P
WV-2HGRW*	240	10800	21	35	27	NEMA 15-60P

*RW Models include optional RW-26 built-in standard double drawer warmers.

NOTE: Specifications are subject to change without notice.

SPECIAL ENVIRONMENTAL NOTICE: The hood system is designed to reduce odor emissions but will not eliminate odors. Air exchange at the installation site must comply with requirements of the local jurisdictional authority. To ensure dilution of odor build-up, minimum recommendation is 400 cubic feet of fresh air per minute both in and out of the area.

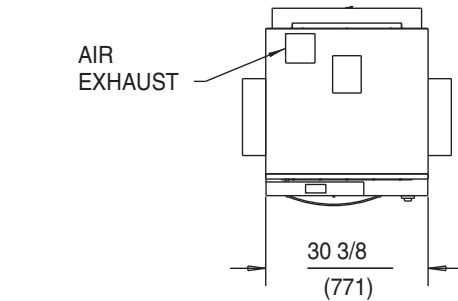




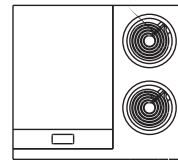
MODEL WV-2HSG GRIDDLE, 2 SPIRAL ELEMENTS

DIMENSIONS: INCH (MM)

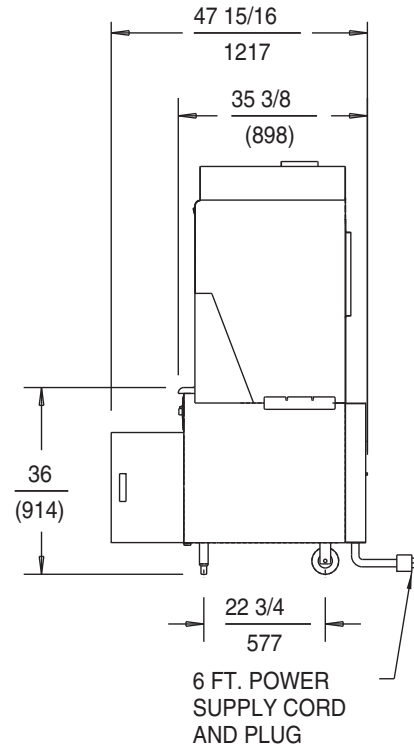
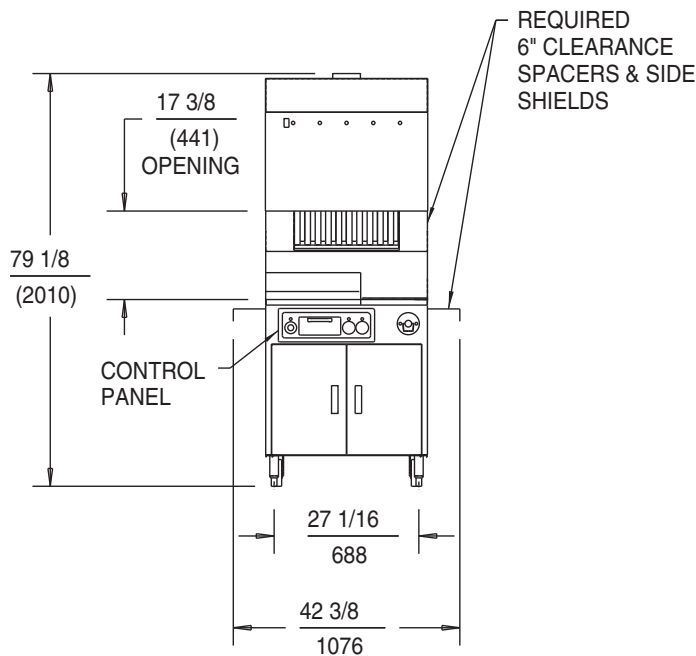
MINIMUM CLEARANCE REQUIRED FROM UNIT TO THE NEAREST SURFACE			
BACK	SIDE	BOTTOM	TOP
NA	SEE REQUIRED	6	8
NA	SPACERS	(152)	(203)



COOKING SURFACE ILLUSTRATION



GRIDDLE: 17 1/4 X 18 1/4
8 INCH SPIRAL ELEMENTS



WV-2HSG ELECTRICAL SPECIFICATIONS:

MODELS	VOLTS	WATTS	AMPS PER LINE 3 PHASE			POWER SUPPLY CORD
			L1	L2	L3	
WV-2HSG	208	8900	21	35	24	NEMA 15-60P
WV-2HSG	240	11100	23	38	24	NEMA 15-60P
WV-2HSGRW*	208	9575	23	35	26	NEMA 15-60P
WV-2HSGRW*	240	12000	26	38	27	NEMA 15-60P

*RW Models include optional RW-26 built-in standard double drawer warmers.

NOTE: Specifications are subject to change without notice.

SPECIAL ENVIRONMENTAL NOTICE: The hood system is designed to reduce odor emissions but will not eliminate odors. Air exchange at the installation site must comply with requirements of the local jurisdictional authority. To ensure dilution of odor build-up, minimum recommendation is 400 cubic feet of fresh air per minute both in and out of the area.