



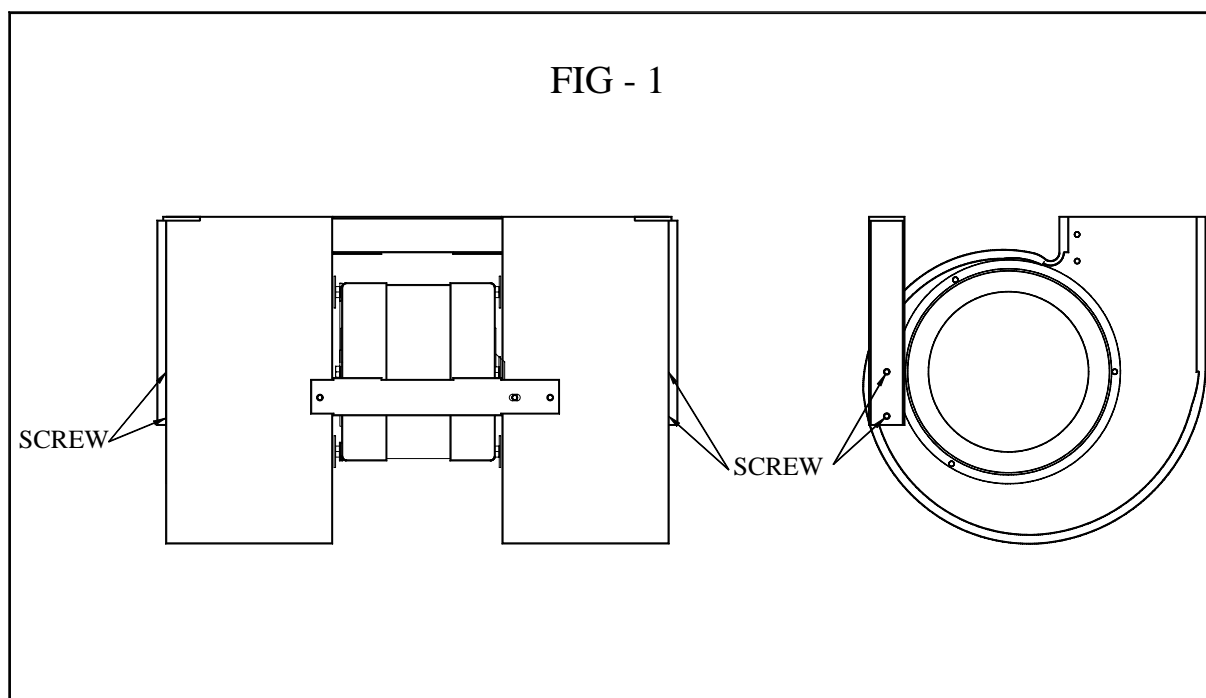
By CNP INDUSTRIES, INC.
P.O. Box 18645 Anaheim, Ca 92817 (877) 387-6721

VEN060I INSTALLATION INSTRUCTION

CAUTION: Before installing ventilator read the HOOD INSTALLATION INSTRUCTION.

PARTS: 1 - Ventilator Assembly
2 - "L" Brackets
4 - #8 x 3/8 Hex Head Sheet Metal Screws (SMS)
2 - Washers
2 - #8 x 1/2 Pan Head SMS

1. Remove parts from carton. Rotate ventilator wheels to confirm they rotate freely.
2. Remove all corrugated packaging shims between motor and housing.
3. Assemble 2- "L" Brackets with 4- #8 x 3/8 SMS per FIG - 1.
4. **HINT:** For 30 inch mounted hoods, remove the center filter panel plate by removing 2 screws and lifting out of position. This will ease assembly of ventilator. Replace filter panel plate after installing ventilator.
5. Install ventilator per HOOD INSTALLATION INSTRUCTION using 2- washers and 2- #8 x 1/2 Pan Head SMS.
6. Check operation of ventilator per HOOD INSTALLATION INSTRUCTION.





By CNP INDUSTRIES, INC.

P.O. Box 18645 Anaheim, Ca 92817 (877) 387-6721

Dual Internal Ventilators

Note: Wiring harness #10220 is required to complete the installation of the dual VEN060I ventilators and must be ordered separately.

Cabinet Mounting

When using two (2) VEN060I ventilators the cabinet mounting must accommodate two discharge transitions #10100. Wiring and discharge holes are shown in FIG – 5. Alternate Plenum Transition # 10542 Replaces Two Discharge Transitions.

Hint: Transition dimensions may vary. Before assembling transitions to the hood, fit them into the prepared cabinet openings to be sure the openings are large enough to accommodate the transition. Enlarge the hole if required.

Hood Preparation

The hood must be prepared for dual ventilator mounting by removing the two “breakaway” discharge hole plates. To remove, break the metal webs holding the plate and hitting screwdriver sharply with a hammer. After Breaking a second web the plate can be flexed to break other webs. **Wear eye protection when using tools.**

Attach the transitions (see Ducting, pg 1), obtained separately from your local hardware or available through your dealer, and install the hood as described previously in this instruction.

Ventilator Installation

Install the ventilators as previously described, see FIG – 1 and instructions on the same page of this document. Connect the ventilators to the receptacle in the hood junction box using **Harness #10220**, ordered separately. Dress the wires and secure to bracket “A, see FIG – 5, using the wire tie supplied with the harness. Follow the remaining instructions for operating checks to complete the installation.

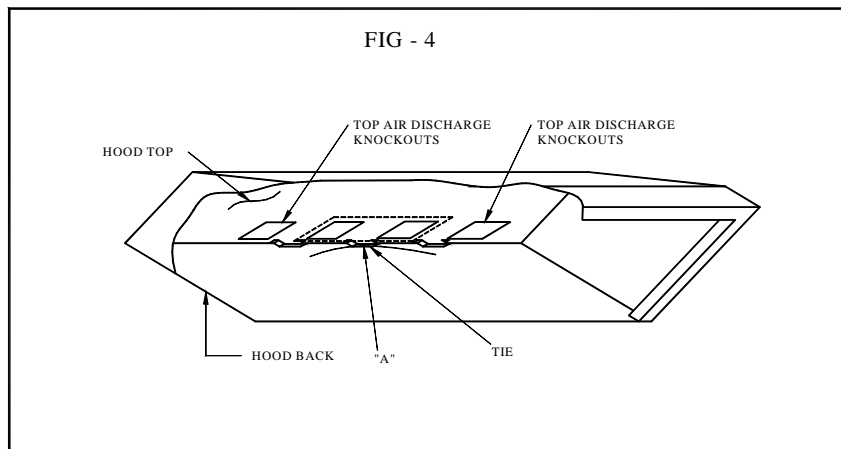


FIG-5

BOTTOM VIEW OF CABINET - FOR MODELS WSL, WCL & WEX 48, 54 & 60
 DUAL INTERNAL VENTILATORS

USE # 10100 TRANSITIONS

HOOD WIDTH	DIM A
48" & 54"	8 1/8
60"	13 3/4

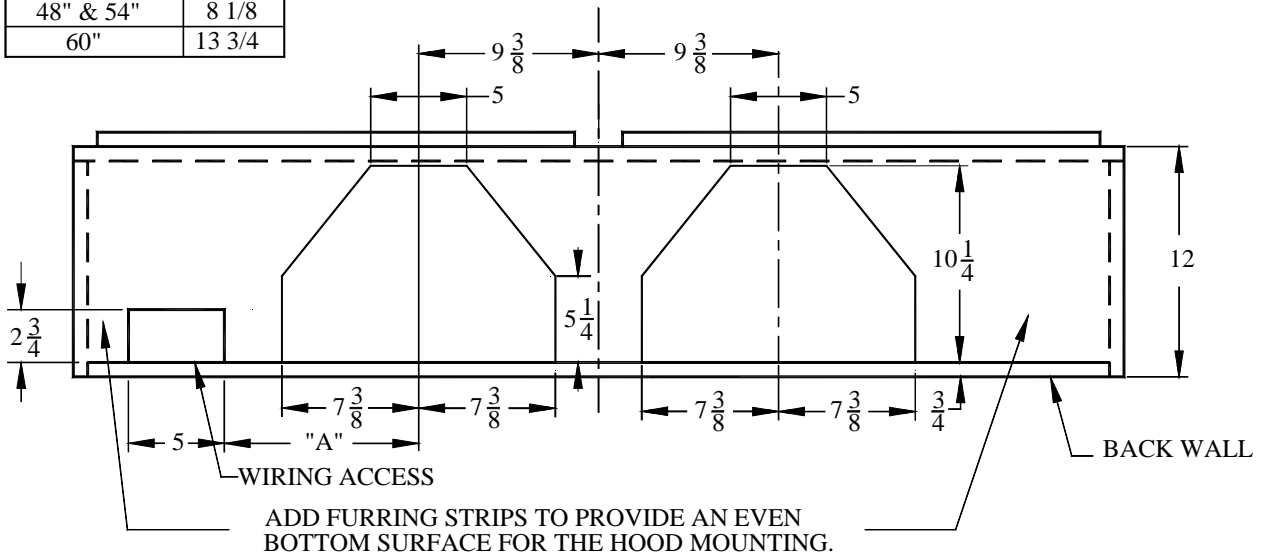
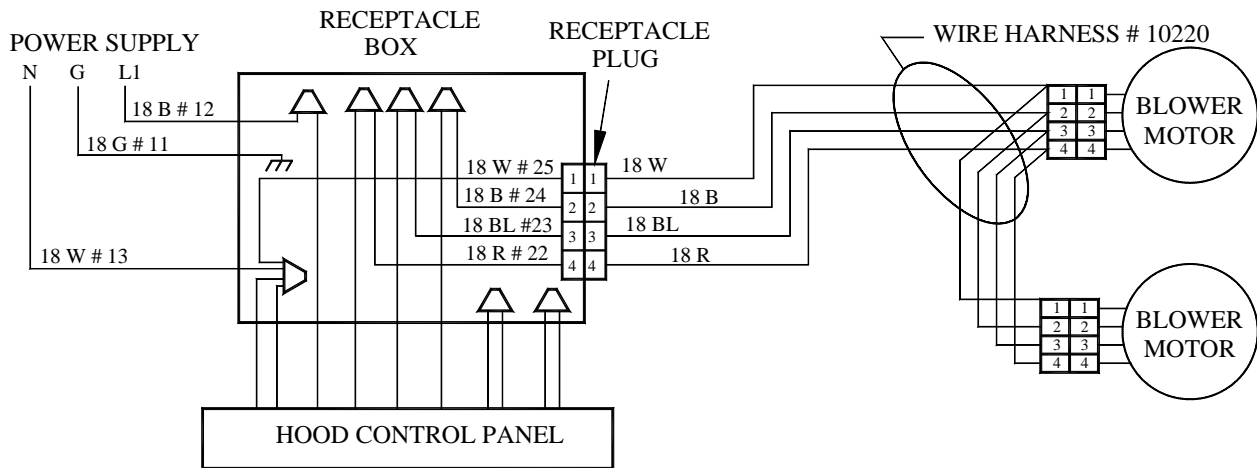
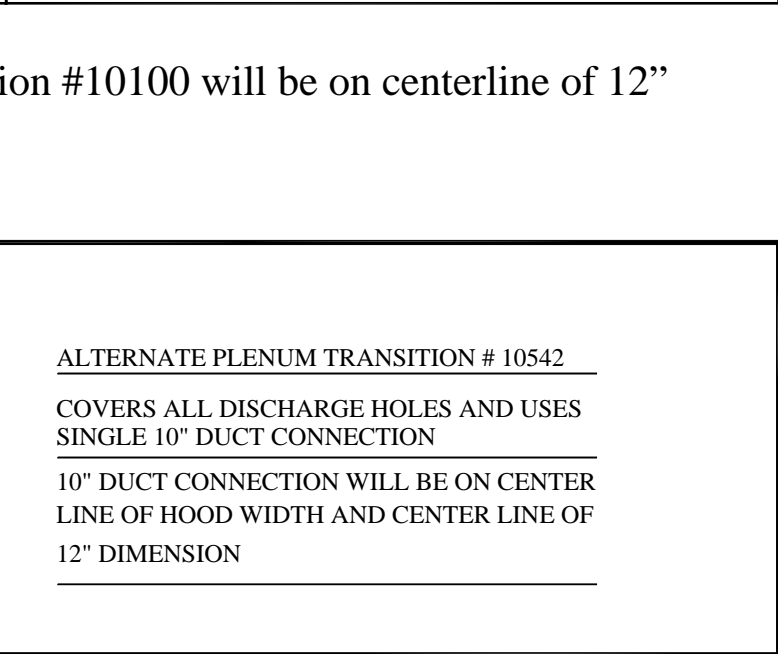
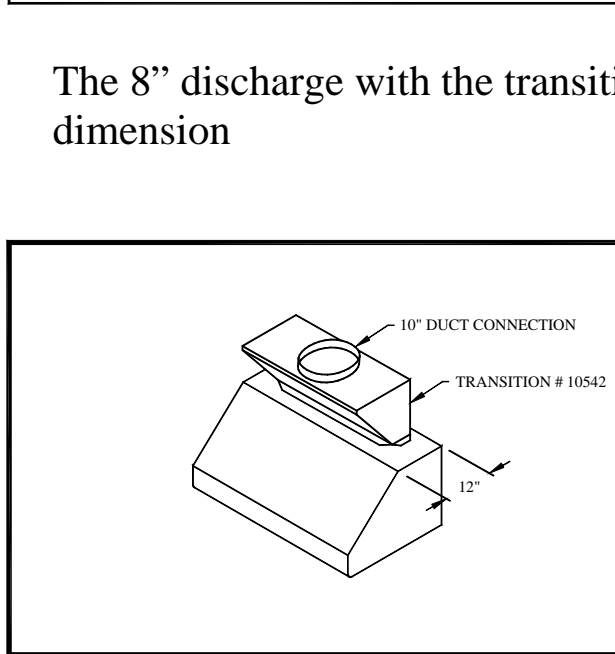
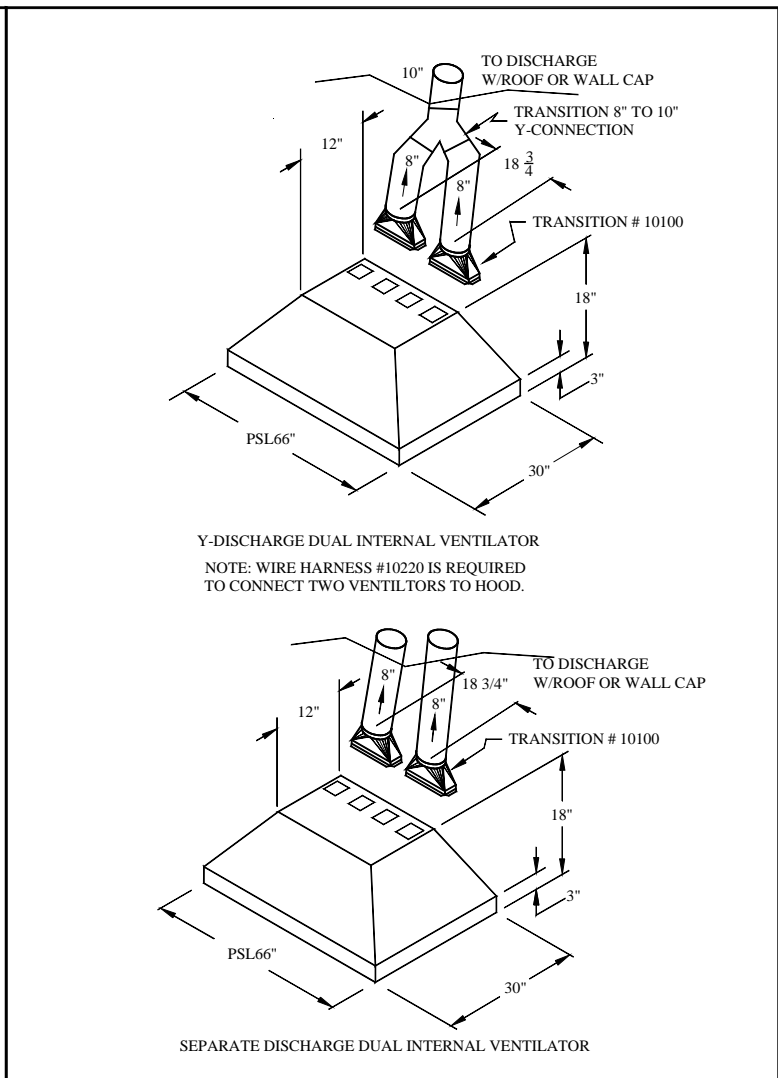
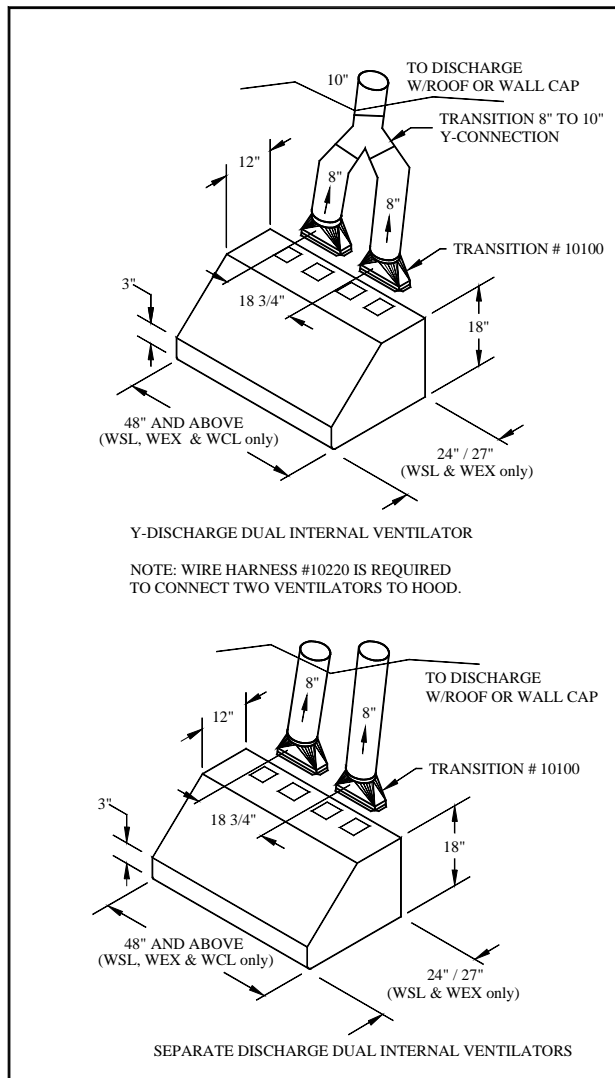


FIG-6

WIRING - DUAL INTERNAL BLOWERS



SEE WIRING DIAGRAM FOR DETAILS.
 RECEPTACLE BOX WIRING SHOWN IS
 FOR MODELS WITH HEAT LAMP.



The 8" discharge with the transition #10100 will be on centerline of 12" dimension