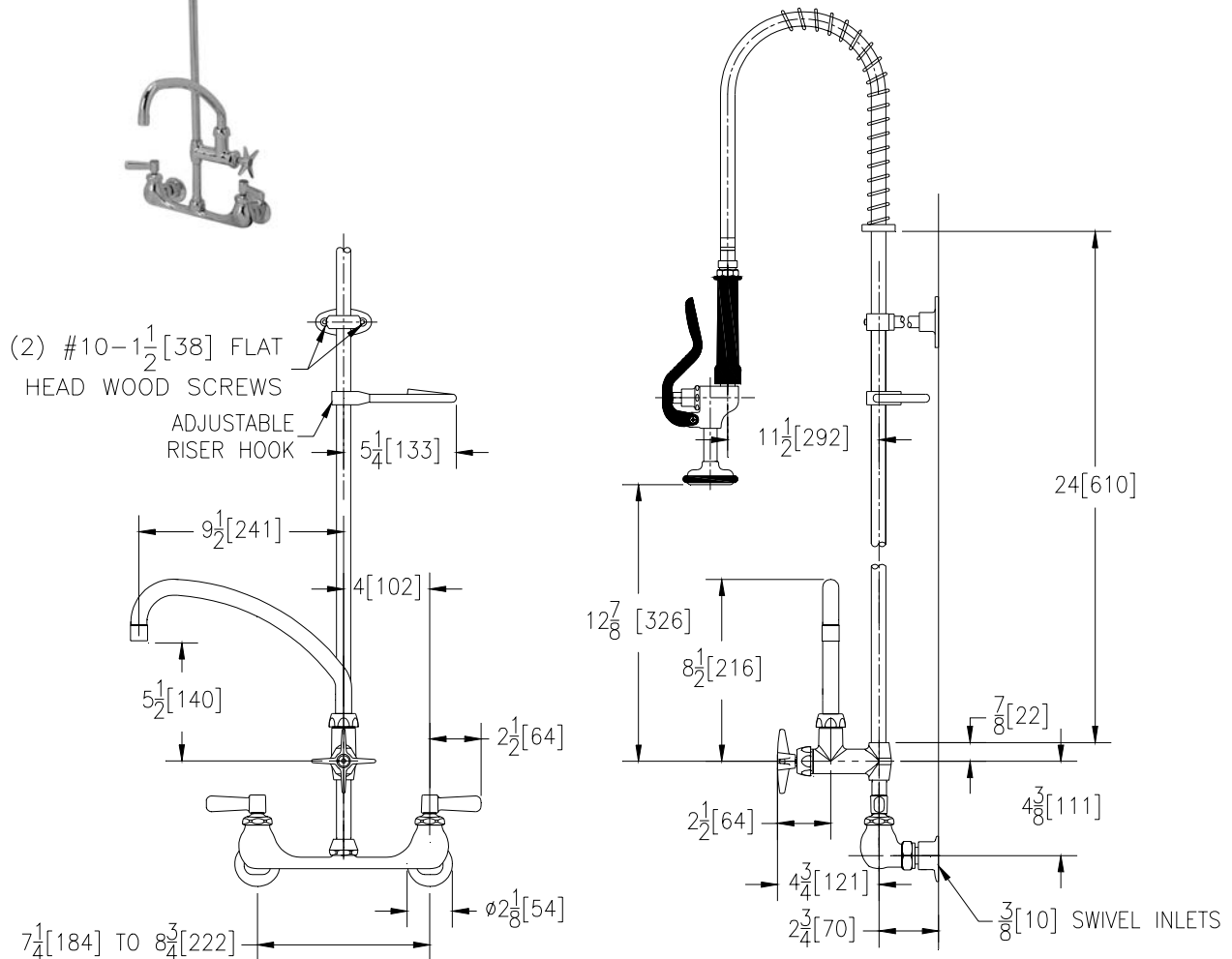




### Engineering Specification: Zurn AquaSpec® Z842X1-AF

Polished chrome plated cast brass 8" [203mm] pre-rinse faucet with quarter turn ceramic disc cartridges, 3/8" [10mm] short swivel inlets with check stops providing adjustable centers from 7-1/4" [184mm] to 8-3/4" [222mm] and 2-1/2" [64mm] vandal resistant color-coded brass lever handles. Unit is furnished with a single valve Adapta faucet with a 9-1/2" [241mm] swing spout and single screen outlet, a 24" [610mm] riser with a 36" [914mm] stainless steel spring hose, a 1.6 GPM [6L] self-closing pre-rinse hand held valve with an insulated handle, a stay open ring, a wall mounted pipe support and a hose hook.



Note: All dimensions are for reference only. Do not use for pre-plumbing.

### OPTIONAL ACCESSORIES

Suffix	Description
— -LSI	2-1/2" [64mm] Long Swivel Inlets with Integral Stops
— -PR2	Pre-Rinse with Angle Spray Head, Rubber Bumper Spray Outlet and Self-closing Valve
— -PR3	Pre-Rinse with Angled Aerated Outlet and Self-closing Valve
— -RC	Rough Chrome Plated

ZURN INDUSTRIES, INC. ♦ COMMERCIAL BRASS OPERATION ♦ 2640 SOUTH WORK STREET ♦ FALCONER NY 14733

Phone: 1-716-665-1132 ♦ Fax: 1-716-665-1135 ♦ World Wide Web: [www.zurn.com](http://www.zurn.com)

In Canada: ZURN INDUSTRIES LIMITED ♦ 3544 Nashua Drive ♦ Mississauga, Ontario L4V1L2 ♦ Phone: 905/405-8272 Fax: 905/405-1292