

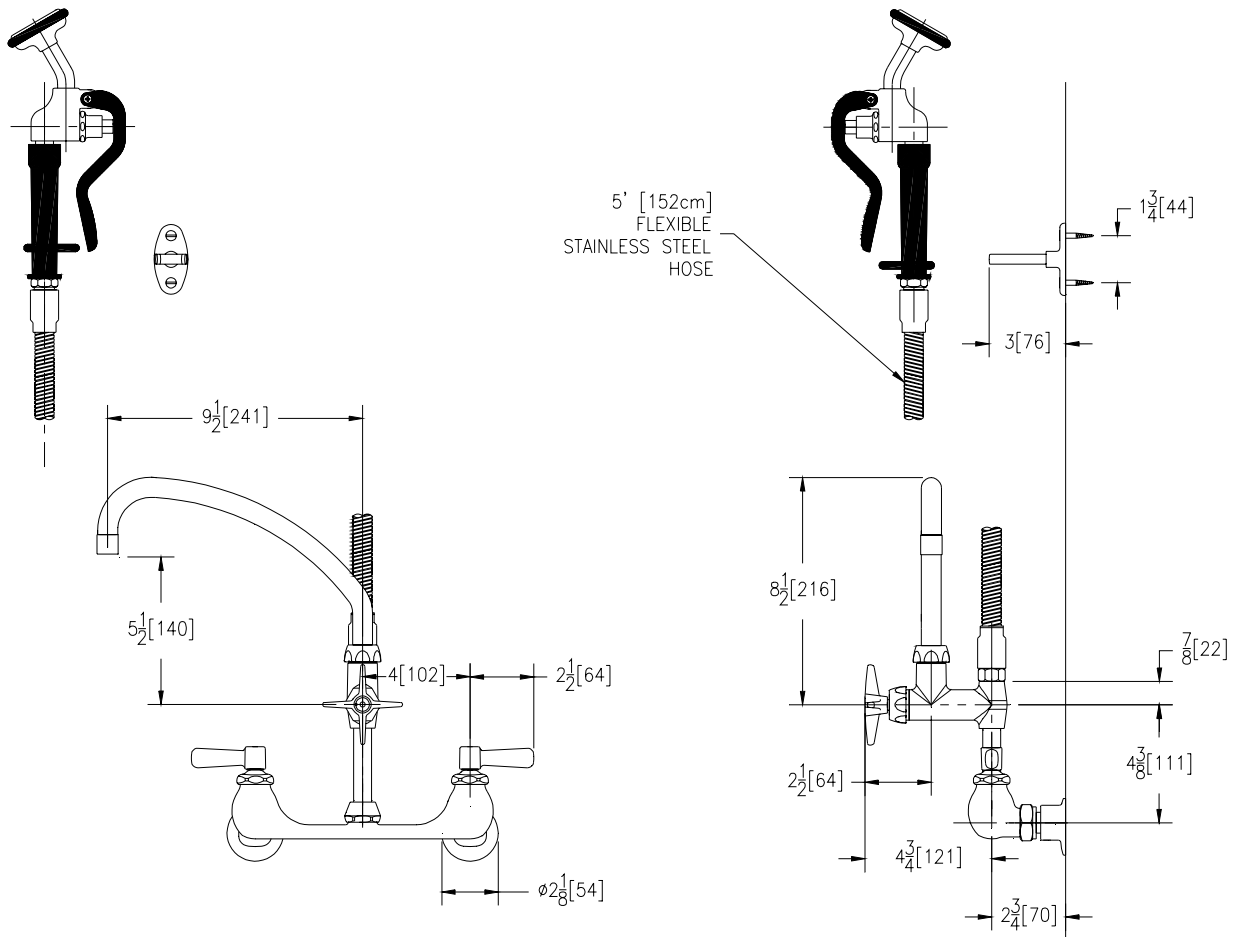


PRE-RINSE Z842J1-AF-PR2 TAG _____



Engineering Specification: Zurn AquaSpec® Z842J1-AF-PR2

Polished chrome plated cast brass 8" [203mm] pre-rinse faucet with quarter turn ceramic disc cartridges, 3/8" [10mm] short swivel inlets with check stops providing adjustable centers from 7-1/4" [184mm] to 8-3/4" [222mm] and 2-1/2" [64mm] vandal resistant color-coded brass lever handles. Unit is furnished with a single valve Adapta faucet with a 9-1/2" [241mm] swing spout and single screen outlet, a 60" [152cm] stainless steel hose, an angled 1.6 GPM [6L] self-closing pre-rinse hand held valve with an insulated handle, a stay open ring and a wall hook.



Note: All dimensions are for reference only. Do not use for pre-plumbing.

OPTIONAL ACCESSORIES

Suffix	Description
___ -PR1	Self-Closing Rubber Bumper Spray Head
___ -PR3	Angled Self-Closing Aerated Outlet Spray Head

ZURN INDUSTRIES, INC. ♦ COMMERCIAL BRASS OPERATION ♦ 2640 SOUTH WORK STREET ♦ FALCONER NY 14733

Phone: 1-716-665-1132 ♦ Fax: 1-716-665-1135 ♦ World Wide Web: www.zurn.com

In Canada: ZURN INDUSTRIES LIMITED ♦ 3544 Nashua Drive ♦ Mississauga, Ontario L4V1L2 ♦ Phone: 905/405-8272 Fax: 905/405-1292