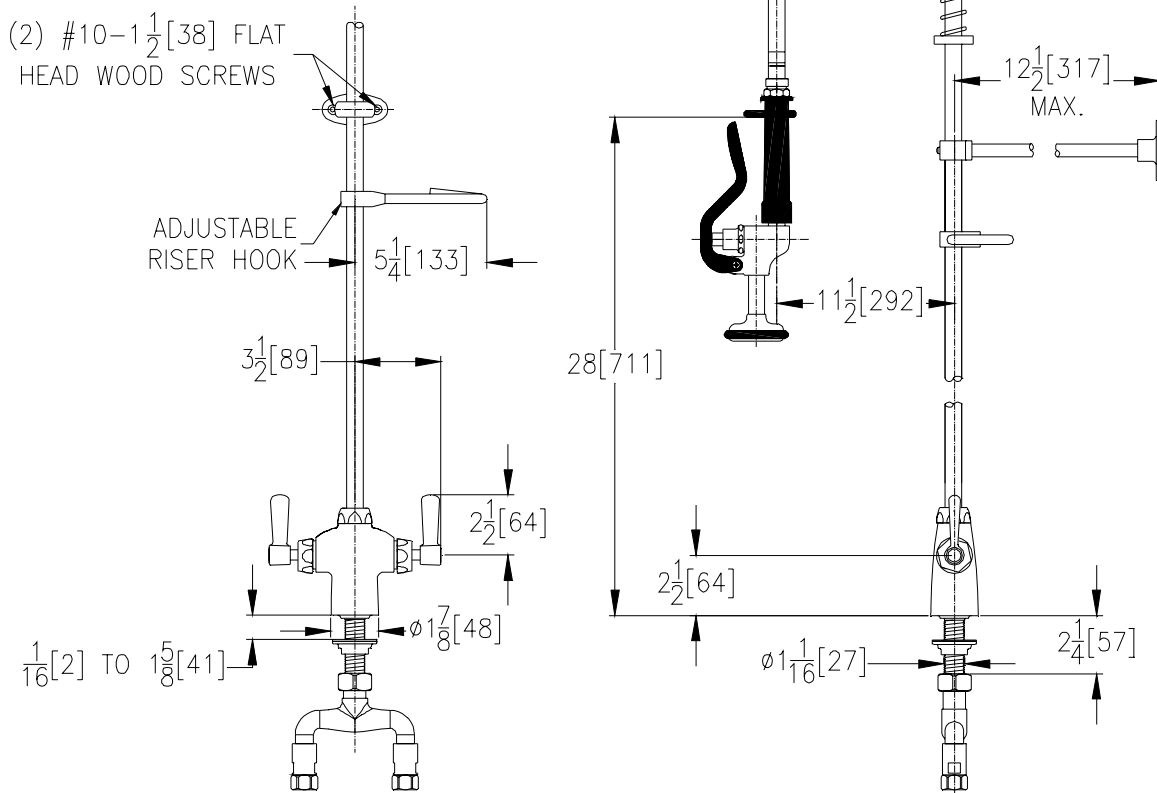



**Engineering Specifications: Zurn AquaSpec® Z826X1**

Polished chrome plated deck mounted pre-rinse faucet with an integral shank, quarter turn ceramic disc cartridges, a mixing yoke with 1/2" [13mm] check stop inlets and 2-1/2" [64mm] vandal resistant color-coded brass lever handles. Unit is furnished with a 24" [610mm] riser, a 36" [914mm] stainless steel spring hose, a self-closing 1.6 GPM [6L] pre-rinse hand held valve with an insulated 6" [152mm] handle, a stay open ring, a pipe support and a hose hook.



Note: All dimensions are for reference only. Do not use for pre-plumbing

**OPTIONAL ACCESSORIES**

Suffix	Description
___ -G	1-1/4" [32mm] Grid Strainer Drain
___ -PR2	Pre-rinse with Angle Spray Head, Rubber Bumper Spray Outlet and Self-closing Valve
___ -PR3	Pre-rinse with Angled Aerated Outlet and Self-closing Valve
___ -PT	1-1/4" [32mm] Cast Brass P-Trap with a 7-1/2" [191mm] Long 17-Gauge Wall Bend

ZURN INDUSTRIES, INC. ♦ COMMERCIAL BRASS OPERATION ♦ 2640 SOUTH WORK STREET ♦ FALCONER NY 14733

Phone: 1-716-665-1132 ♦ Fax: 1-716-665-1135 ♦ World Wide Web: [www.zurn.com](http://www.zurn.com)

In Canada: ZURN INDUSTRIES LIMITED ♦ 3544 Nashua Drive ♦ Mississauga, Ontario L4V1L2 ♦ Phone: 905/405-8272 Fax: 905/405-1292