

Project

Item #

Quantity



GLOBE FOOD EQUIPMENT COMPANY

8 Quart Mixer

SP8



# SP8 8 Quart Mixer

### Model

- SP8 - 8 Quart Mixer



### Standard Features

- Gear driven, high torque transmission
- Three fixed speeds
- 1/4 HP custom built motor
- Heat-treated hardened steel alloy gears and shafts
- Permanently lubricated transmission
- Thermal overload protection
- Rigid cast aluminum body
- Polycarbonate bowl guard
- Safety interlocked bowl lift
- Front mounted controls
- 15 minute digital timer
- 6 foot cord and plug

### Standard Accessories

- 8 quart stainless steel bowl
- Flat beater (aluminum)
- Stainless steel wire whip
- Spiral dough hook (aluminum)

### Optional Accessories

- Flat beater (stainless steel)
- Spiral dough hook (stainless steel)
- Mixer table with undershelf

### Standard Warranty

- 2 years parts and one year labor

Approved By: \_\_\_\_\_

Date: \_\_\_\_\_



**GLOBE FOOD EQUIPMENT COMPANY**

[www.globeslicers.com](http://www.globeslicers.com)

2153 Dryden Rd.  
Dayton, OH 45439  
Phone: 937-299-5493  
Phone: 800-347-5423  
Fax: 937-299-4147



# 8 Quart Mixer

# SP8

## Specifications

**Motor:** 1/4 HP, grease packed ball bearing, air cooled, 115/60/1, 5 amps. Thermal overload protection (manual reset).

**Finish:** NSF approved enamel white paint.

**Capacity:** 8 quart (7.6 liter) bowl.

**Transmission:** Fixed speed transmission is made of heat treated, hardened alloy, precision milled gears that operate the planetary action and provide high torque mixing power. The gears are packed in a long lasting grease, and all shafts are mounted in ball bearings.

**Safety Interlock:** The bowl lift lever is interlocked. The mixer will automatically shut down when the bowl is lowered.

**Standard Equipment:** Standard equipment includes an 8 quart #304 series stainless steel bowl, aluminum spiral dough hook, stainless steel wire whip, aluminum flat beater, polycarbonate bowl guard, and a 15 minute digital timer. A sturdy hand lever on the body column raises and lowers the bowl as well as locking in place at the top and bottom positions.

### Agitator Speeds (RPMs):

Low	132
Intermediate	234
High	421

**Cord and Plug:** 6 ft. flexible three wire cord and ground plug.

### Dimensions:

Foot Print = 11.8" x 15.8"
(30cm x 40.1cm)
Overall Length = 15.8" (40.1cm)
Overall Width = 11.8" (30cm)
Overall Height = 22.9" (58.2cm)

### Shipping Information:

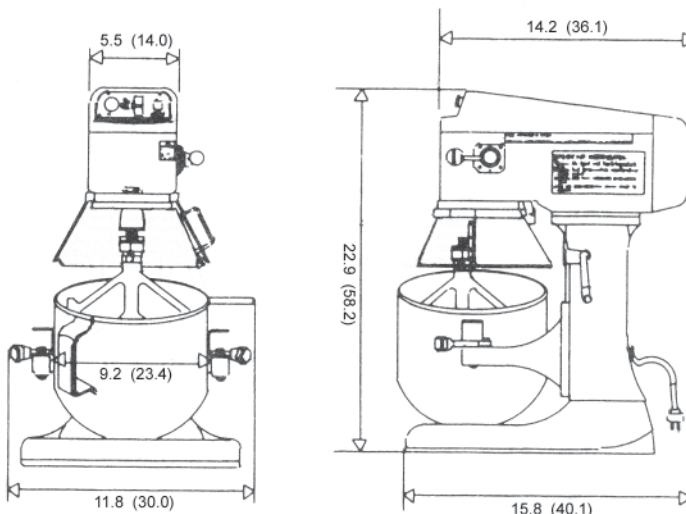
Freight Class: 85  
Net Weight: 55 lbs. (25 kgs.)  
Shipping Weight: 62 lbs. (28.1 kgs.)  
Shipping Dimensions:  
16"W x 20"D x 26"H  
(40.6cm x 50.8cm x 66cm)  
Cartons are reinforced for shipping. The weight and dimensions of this reinforced carton are included above and may vary from shipment to shipment.

### Optional Accessories:

**XXBEAT-08SS** Stainless Steel Flat Beater

**XXHOOK-08SS** Stainless Steel Spiral Dough Hook

**XTABLE** Mixer Table with Undershef (Stainless steel top with galvanized steel undershef and legs.)  
30"W x 24"D x 24"H  
(76.2cm x 61cm x 61cm)



UNIT: INCHES (CM)



## GLOBE FOOD EQUIPMENT COMPANY

[www.globeslicers.com](http://www.globeslicers.com)

2153 Dryden Rd.  
Dayton, OH 45439  
Phone: 937-299-5493  
Phone: 800-347-5423  
Fax: 937-299-4147

Printed in U.S.A. 7-2007

Specifications are subject to change without notice.