

Project \_\_\_\_\_

Item # \_\_\_\_\_

Quantity \_\_\_\_\_



GLOBE FOOD EQUIPMENT COMPANY



# SP40P Mixer

### Model

- SP40P - 40 Quart Mixer

*Built into each mixer is the quality of workmanship and design synonymous with Globe.*

40 Quart Mixer

### Standard Features

- Powerful 2 HP custom built motor
- Three fixed speeds
- High torque transmission
- Heat-treated hardened steel alloy gears and shafts
- Permanently lubricated transmission
- Thermal overload protection
- Rigid cast iron body
- Stainless steel bowl guard with built in ingredient chute
- NSF approved enamel gray paint
- Front mounted controls
- 15 minute timer
- Industry standard #12 attachment hub
- Safety interlocked bowl guard and bowl lift
- Non-slip rubber feet
- 6 foot cord and ground plug (single phase only)

### Standard Accessories

- 40 quart stainless steel bowl
- Flat beater (aluminum)
- Stainless steel wire whip
- Spiral dough hook (aluminum)

### Optional Attachments/Accessories

- Slicer/shredder/grater for #12 hub
- Meat grinder for #12 hub
- 20 quart adapter kit

### Standard Warranty

- 2 years parts and one year labor

Approved By: \_\_\_\_\_

Date: \_\_\_\_\_



**GLOBE FOOD EQUIPMENT COMPANY**

[www.globeslicers.com](http://www.globeslicers.com)

2153 Dryden Rd.  
Dayton, OH 45439  
Phone: 937-299-5493  
Phone: 800-347-5423  
Fax: 937-299-4147

SP40P



# 40 Quart Mixer

# SP40P

## Specifications

**Motor:** 2 HP, grease packed ball bearing, air cooled, 220/60/1, 17 amps or 208/60/3, 8 amps. Thermal overload protection (automatic reset).

**Finish:** NSF approved enamel gray paint.

**Capacity:** 42 quart (40 liter) bowl.

**Transmission:** Fixed speed transmission is made of heat treated, hardened alloy, precision milled gears that operate the planetary action and provide high torque mixing power. The gears are packed in a long lasting grease, and all shafts are mounted in ball bearings.

**Safety Interlocks:** The bowl guard and bowl lift lever are interlocked. The mixer will automatically shut down when the guard is opened or the bowl is lowered.

### Agitator Speeds (RPMs):

|              |     |
|--------------|-----|
| Low          | 74  |
| Intermediate | 132 |
| High         | 272 |

### Attachment Speeds (RPMs):

|              |     |
|--------------|-----|
| Low          | 52  |
| Intermediate | 92  |
| High         | 190 |

**Standard Equipment:** Standard equipment includes a 40 quart #304 series stainless steel bowl, spiral dough hook, stainless steel wire whip, flat beater, stainless steel bowl guard with built in ingredient chute, 15 minute timer, and #12 attachment hub. A sturdy hand lever on the body column raises and lowers the bowl as well as locking in place at the top and bottom positions.

**Cord:** The single phase has a three wire cord and ground plug (6-20P). The three phase is hard wired.

### Dimensions:

Foot Print = 25.0" x 24.5"  
 (63.5 cm x 62.2 cm)  
 Overall Length = 28.4" (72.1 cm)  
 Overall Width = 25.0" (63.5 cm)  
 Overall Height = 51.0" (129.5 cm)

### Shipping Information:

Freight Class: 85  
 Net Weight: 550 lbs. (250 kgs.)  
 Shipping Weight: 750 lbs.(340.2 kgs.)  
 Shipping Dimensions:  
 42"W x 48"D x 65"H  
 (107.7cm W x 121.9cm D x 165.1cm H)  
 Cartons are affixed to a skid (pallet). The weight and dimensions of this skid are included above and may vary from shipment to shipment.

### Optional Accessories:

**XXACC20-40** Adapter Kit includes a 20 quart bowl, wire whip, dough hook, flat beater, and bowl adapter to adapt 40 quart mixer to a 20 quart capacity.

### Optional Attachments:

**XMCA-SS** Meat Grinder Assembly (Polished stainless steel cylinder, worm, ring, and pan. Includes knife, 3/16" plate, stainless steel pan, and pusher.)

### Chopper Plate Sizes Available:

|                |                            |        |
|----------------|----------------------------|--------|
| <b>CP02-12</b> | 1/16"                      | (2mm)  |
| <b>CP04-12</b> | 5/32"                      | (4mm)  |
| <b>CP05-12</b> | 3/16"                      | (5mm)  |
| <b>CP06-12</b> | 1/4"                       | (6mm)  |
| <b>CP08-12</b> | 5/16"                      | (8mm)  |
| <b>CP10-12</b> | 3/8"                       | (10mm) |
| <b>CP12-12</b> | 1/2"                       | (12mm) |
| <b>CP14-12</b> | 9/16"                      | (14mm) |
| <b>CP16-12</b> | 5/8"                       | (16mm) |
| <b>CP18-12</b> | 11/16"                     | (18mm) |
| <b>CP00-12</b> | Stuffing Plate             |        |
| <b>XST12</b>   | 1/2" stuffing tube (sheep) |        |
| <b>XST34</b>   | 3/4" stuffing tube (hog)   |        |

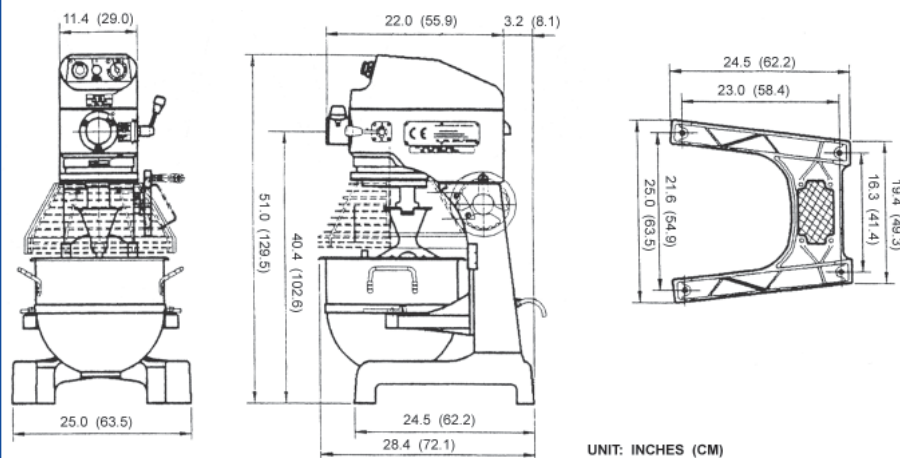
**XVSGH** 9" Slicer/Shredder/Grater Housing Only (*no plates included-must select from plates below*)

**XASP** Adjustable slicing plate

**XPH** Plate holder - \*only 1 required

### Shredding/Grating Plates:

|                |               |          |
|----------------|---------------|----------|
| <b>XSP332*</b> | 3/32"         | (2.3mm)  |
| <b>XSP316*</b> | 3/16"         | (4.7mm)  |
| <b>XSP14*</b>  | 1/4"          | (6.3mm)  |
| <b>XSP516*</b> | 5/16"         | (7.9mm)  |
| <b>XSP12*</b>  | 1/2"          | (12.7mm) |
| <b>XGP*</b>    | Grating plate |          |



## GLOBE FOOD EQUIPMENT COMPANY

[www.globeslicers.com](http://www.globeslicers.com)

2153 Dryden Rd.  
 Dayton, OH 45439  
 Phone: 937-299-5493  
 Phone: 800-347-5423  
 Fax: 937-299-4147

Printed In U.S.A. 3-2008

Specifications are subject to change without notice.