

Project _____

Item # _____

Quantity _____



GLOBE FOOD EQUIPMENT COMPANY

30 Quart Mixers

SP30/SP30P



SP30/SP30P 30 Quart Mixers

Models

- SP30 - 30 Quart Mixer
- SP30P - 30 Quart Pizza Mixer

Built into each mixer is the quality of workmanship and design synonymous with Globe.

Standard Features

- Powerful custom built motor - 1 HP (SP30) or 1 ½ HP (SP30P)
- Three fixed speeds
- High torque transmission
- Heat-treated hardened steel alloy gears and shafts
- Permanently lubricated transmission
- Thermal overload protection
- Rigid cast iron body
- Stainless steel bowl guard with built in ingredient chute
- NSF approved enamel gray paint
- Front mounted controls
- 15 minute timer
- Industry standard #12 attachment hub
- Safety interlocked bowl guard and bowl lift
- Nonslip rubber feet
- 6 foot cord and ground plug

Standard Accessories

- 30 quart stainless steel bowl
- Flat beater (aluminum)
- Stainless steel wire whip
- Spiral dough hook (aluminum)

Optional Attachments/Accessories

- Slicer/Shredder/Grater for #12 hub
- Meat grinder for #12 hub
- 20 quart adapter kit

Standard Warranty

- 2 years parts and one year labor



Approved By: _____

Date: _____



GLOBE FOOD EQUIPMENT COMPANY

www.globeslicers.com

2153 Dryden Rd
Dayton, OH 45439
Phone: 937-299-5493
Phone: 800-347-5423
Fax: 937-299-4147



30 Quart Mixers

SP30/SP30P

Specifications

Motor: Grease packed ball bearing, air cooled. Thermal overload protection (auto reset).
 SP30: 1 HP, 15 amps, 115/60/1
 SP30P: 1 1/2 HP, 12 amps, 220/60/1
 Special voltage motors available (single phase only). Contact factory.

Finish: NSF approved enamel gray paint.

Capacity: 31.7 quart (30 liter) bowl.

Transmission: Fixed speed transmission is made of heat treated, hardened alloy, precision milled gears that operate the planetary action and provide high torque mixing power. The gears are packed in a long lasting grease, and all shafts are mounted in ball bearings.

Safety Interlocks: The bowl guard and bowl lift lever are interlocked. The mixer will automatically shut down when the guard is opened or the bowl is lowered.

Agitator Speeds (RPMs):

Low	92
Intermediate	164
High	317

Attachment Speeds (RPMs):

Low	62
Intermediate	111
High	215

Standard Equipment: Standard equipment includes a 30 quart #304 series stainless steel bowl, aluminum spiral dough hook, stainless steel wire whip, aluminum flat beater, stainless steel bowl guard with built in ingredient chute, 15 minute timer, non-slip rubber feet, and #12 attachment hub. A sturdy hand lever on the body column raises and lowers the bowl as well as locking in place at the top and bottom positions.

Cord and Plug: 6 ft. flexible three wire cord and ground plug. (The SP30 has a 5-20P plug and the SP30P has a 6-20P plug.)

Dimensions:

Foot Print = 22.4" x 23.6"
 (56.9 cm x 59.9 cm)
 Overall Length = 26.2" (66.5 cm)
 Overall Width = 22.4" (56.9 cm)
 Overall Height = 48.5" (123.2 cm)

Shipping Information:

Freight Class: 85
 Net Weight: 396 lbs. (180 kgs.)
 Shipping Weight: 565 lbs. (256.3 kgs.)
 Shipping Dimensions:
 42"W x 48"D x 64"H
 (106.7cm W x 121.9cm D x 162.5cm H)
 Cartons are affixed to a skid (pallet). The weight and dimensions of this skid are included above and may vary from shipment to shipment.

Optional Accessories:

XXACC20-30 Adapter Kit includes a 20 quart bowl, wire whip, dough hook, and flat beater to adapt 30 quart mixers to a 20 quart capacity.

Optional Attachments:

XMCA-SS Meat Grinder Assembly (Polished stainless steel cylinder, worm, ring, and pan. Includes knife, 3/16" plate, stainless steel pan, and pusher.)

Chopper Plate Sizes Available:

CP02-12	1/16"	(2mm)
CP04-12	5/32"	(4mm)
CP05-12	3/16"	(5mm)
CP06-12	1/4"	(6mm)
CP08-12	5/16"	(8mm)
CP10-12	3/8"	(10mm)
CP12-12	1/2"	(12mm)
CP14-12	9/16"	(14mm)
CP16-12	5/8"	(16mm)
CP18-12	11/16"	(18mm)
CP00-12	Stuffing Plate	
XST12	1/2" stuffing tube (sheep)	
XST34	3/4" stuffing tube (hog)	

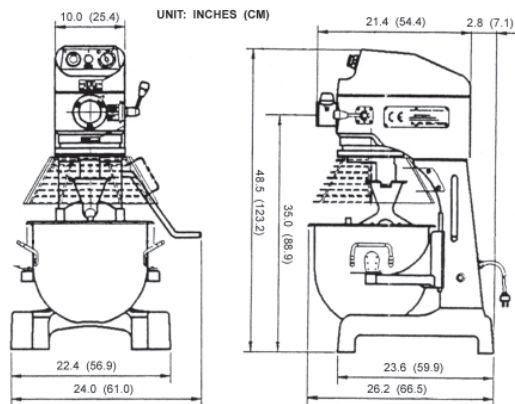
XVSGH 9" Slicer/Shredder/Grater Housing Only (*no plates included - must select from plates below*)

XASP Adjustable slicing plate

XPH Plate holder - *only 1 required

Shredding/Grating Plates:

XSP332*	3/32"	(2.3mm)
XSP316*	3/16"	(4.7mm)
XSP14*	1/4"	(6.3mm)
XSP516*	5/16"	(7.9mm)
XSP12*	1/2"	(12.7mm)
XGP*	Grating plate	



GLOBE FOOD EQUIPMENT COMPANY

www.globeslicers.com

2153 Dryden Rd
 Dayton, OH 45439
 Phone: 937-299-5493
 Phone: 800-347-5423
 Fax: 937-299-4147

Printed in U.S.A. 6-2008

Specifications are subject to change without notice.