

SIDE BY SIDE

DYNAMIC DUO

- Modular design ideal for high profit desserts.
- Dry Storage Cabinet attaches to one or both sides.
- High efficiency refrigeration, automatic defrost.
- 5 topping pans included. (Optional: 5 syrup jars and 4 pumps.)



Model SKF2A

SILVER KING[®]
WE'VE GOT REFRIGERATION DOWN COLD.™

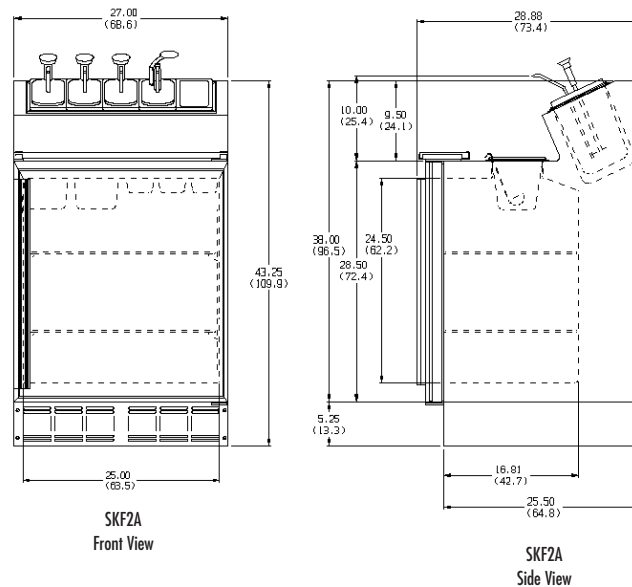
FOUNTAINETTE/DRY STORAGE SPECIFICATIONS

MODEL SKF2A	EXTERIOR	Stainless steel, Galvanized back. Stainless steel back optional.
	INTERIOR	Corrosion-resistant material with coved corners throughout for fast, easy, cleaning and sanitation.
	INSULATION	Environmentally friendly foamed-in-place polyurethane insulation for maximum insulation, strength and durability.
	DOOR	Polyurethane insulation, extruded aluminum frame, stainless steel exterior door panel and extra heavy-duty magnetic "Thermo Rubber" door gasket.
	PREP SURFACE	Five topping pans — two 1/6 size (6" deep) with covers and ladles, and three 1/9 size (4" deep) with covers. Dry Storage Cabinet features 20 3/4" deep x 21" wide work surface plus back splash with appliance receptacle cut-out.
	REFRIGERATION	CFC-free, 134a refrigerant, hermetically sealed, high efficiency, self contained refrigeration system features automatic defrost and forced air circulation. Adjustable temperature control and built-in temperature indicator standard. Automatic condensate evaporator means no plumbing or floor drains.
	ASSEMBLY	Dry Storage Cabinet easily attaches to either side of fountainette with eight screws. Holes are pre-drilled and tapped.
	ELECTRICAL	Standard 115 volt, 60Hz, single phase. 8 foot, 3-wire power cord with NEMA 5-15 plug.
	LISTINGS	cULus (U.S. and Canada), NSF International
	WARRANTY	One year parts and labor warranty on cabinet and refrigeration system. Five year warranty on compressor.
	OPTIONS	Also available with 5 syrup jars and four pumps.

MODEL	EXT. DIMENSIONS		STORAGE CAPACITY	SHELF AREA	NUMBER OF SHELVES	AMPS	COMPRESSOR	SHIPPING WEIGHT
	LENGTH	DEPTH						
SKF2	27"	28 7/8"	6.0 cu. ft.	8.8 sq. ft.	2	4.6	1/8 hp	210 lbs



Specifications subject to change without notice.



1600 Xenium Lane North
 Minneapolis, MN 55441-3787
 Phone (763) 923-2441
 Fax (763) 553-1209
 www.silverking.com

#FNSKF204
 © Silver King 2009
 Printed in U.S.A.