



Simply Engineered Better

MD2000

High Temperature
Door-type
Dishwashing Machine



SPECIFIER STATEMENT

Specified unit will be Moyer Diebel model MD2000 high temperature door-type dishwashing machine.

Features 1 Hp pump motor, top mounted splash proof controls, Rinse Sentry, auto start and interchangeable upper and lower spray arms.



Project _____

Item No. _____

Quantity _____

MD2000 DOOR-TYPE

STANDARD FEATURES

- **ENERGY STAR® Qualified**
- **NEW!** 208-240/60/3 standard. Field convertible to 208-240V single phase
- Straight-through configuration. Field convertible to corner operation
- **NEW!** Built-in booster for both 40°F/22°C rise and 70°F/39°C rise
- Single point electrical connection for machine and booster
- Interchangeable upper and lower wash and rinse arms
- Standard, installed, pressure regulating valve and line strainer
- Overflow type machine. Low 0.9 US/0.75 imp/3l water usage/rack
- Door activated start- closing doors begins wash cycle
- Rinse Sentry – ensures 180°F/82°C final rinse
- 55 racks per hour
- High efficiency 1 HP pump
- Self draining pump
- Automatic tank fill
- Detergent/chemical connections
- Top mounted splash proof controls
- Automatic drain valve
- Vent fan control
- Low water tank heat protection

OPTIONS & ACCESSORIES

- Drain Water Tempering Kit
- Side Panels

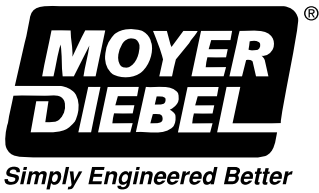
Moyer Diebel – USA

P.O. Box 4183, Winston-Salem, NC 27115 Tel: 336/661-1992 Fax: 336/661-1979 800/228-8350

Moyer Diebel Ltd. – Canada

2674 North Service Rd., Jordan Station, Ontario, Canada L0R 1S0 Tel: 800/263-5798 Fax: 905/562-4618



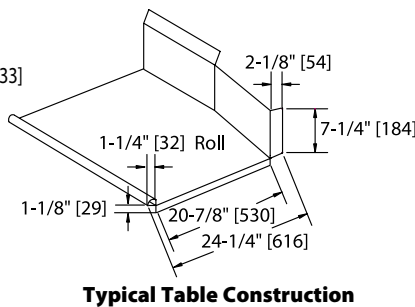
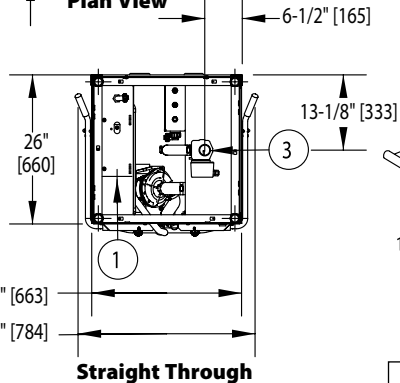
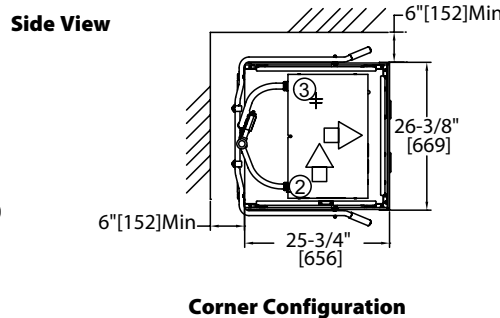
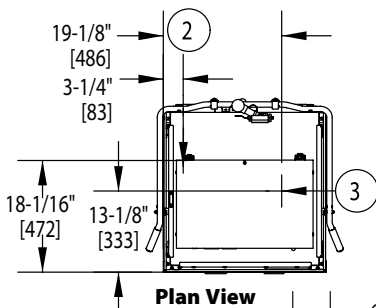
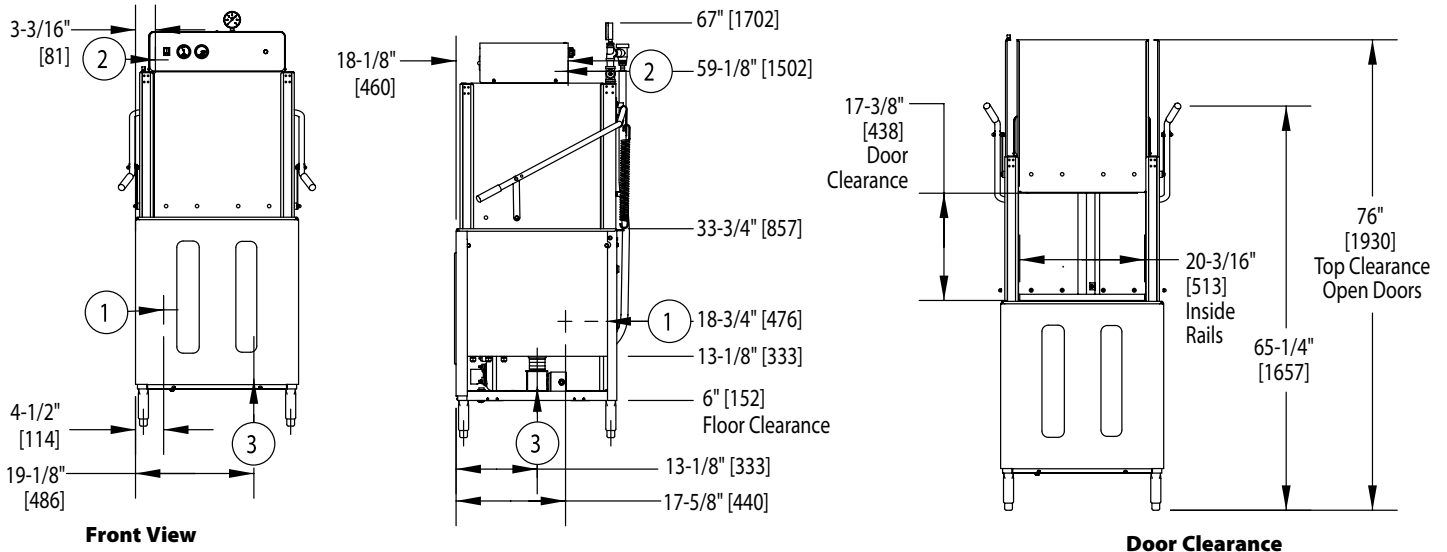


MD2000

High Temperature
Door-type
Dishwashing Machine

Shipping weight crated: **300 lbs. [136kg]**

Dimensions shown in inches and [millimeters]



SPECIFICATIONS

Capacities

Racks per hr. 55

Motor horsepower

Wash 1 Hp

Water consumption

Gal. per hr. (max use)
 US Gal. (imp. gal./liters) 49 (41/187)
 Gal. per rack
 US Gal. (imp. gal./liters) 0.9 (.75/3.4)

Temperatures °F/°C

Wash 150°F/66°C
 Rinse 180°F/82°C

Heating

Tank heat, electric (kW) 5.2
 Booster (kW) 7.5 - 10

Time Cycle in Seconds

Wash 40
 Dwell 1
 Rinse 12
 Sanitary Dwell 7
 Total cycle 60

Warning: Plumbing and electrical connection should be made by qualified personnel who will observe all the applicable plumbing, sanitary and safety codes and the National Electrical Code.

MD2000 Electrical 40°F/22°C and 70°F/39°C Rise			
Elec. Specs.	Rated Amps	Minimum Supply Ckt. Conductor Ampacity	Maximum Overcurrent Protective Device
208/60/1	65	80	80
240/60/1	75	80	80
208/60/3	40	50	50
240/60/3	45	50	50

Utilities

- Water**
 3/4" [19mm] NPT Flow pressure 20-25 PSI
 Hot water 110°F/43°C - 140°F/82°C
- Electrical**
 40°F/22°C and 70°F/39°C rise booster
 208-240/60/1 & 3 (see box)
- Drain**
 2" [51mm] OD Connection
 Gravity drain
 15 GPM [12.5 Imp. Gal.] max flow

Due to an ongoing value analysis program at Moyer Diebel, specifications contained in this catalog are subject to change without notice.

P. O. Box 4183, Winston-Salem, NC 27115 • 336/661-1992 • Fax: 336/661-1979 • www.moyerdiebel.com
 2674 North Service Rd., Jordan Station, Ontario, Canada L0R 1S0 • 905/562-4195 • Fax 905/562-4618 • sales@moyerdiebellimited.com
 'USGBC' and related logo is a trademark owned by the U.S. Green Building Council and is used by permission.