



Simply Engineered Better

DF

Rotary Type Fully Automatic Glasswashing Machine



Shown with optional DF-70A

SPECIFIER STATEMENT

Specified unit will be Moyer Diebel model DF Rotary Type, fully automatic glasswasher.

Unit will have detergent pump, sanitizer pump and rinse aid pump, standard upper and lower wash/rinse arms, wash tank heater, cold water final rinse, polypropylene conveyor, splash curtains, double-walled construction, storage space for three 1-gallon containers.



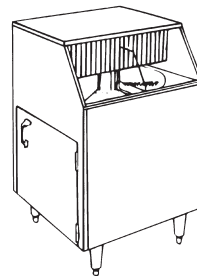
MD005 Printed in U.S.A.

Project _____
 Item No. _____
 Quantity _____

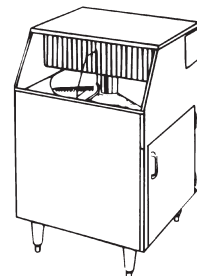
MODEL DF GLASSWASHER

STANDARD FEATURES

- New three-pump injection system:
 - Injector system allows the use of separate sanitizer and rinse aid resulting in real savings.
 - Precisely calibrated pumps inject just the right amount of chemical each time – no guesswork – no waste.
- Upper and lower wash and rinse arms produce sparkling clean glasses every time.
- Double walled construction for quieter operation.
- Cool final rinse water provides a cool glass ready for immediate use.
- An off-the-floor shelf provides storage for three, 1-gallon containers.
- Polypropylene conveyor virtually eliminates chipping of fine stemware.



Access Door on Left DF-2



Access Door on Right DF-1

OPTIONS & ACCESSORIES

- | | |
|--|-------------|
| <input type="checkbox"/> Drain tray and waste collector (DF-70A) | P/N 0707544 |
| <input type="checkbox"/> Quick disconnect package (incl. casters) | P/N 0707258 |
| <input type="checkbox"/> Casters; set of four – 2 locking, 2 regular | P/N 0701962 |
| <input type="checkbox"/> Hand sink and wet waste receiver (SW46) | P/N 0708453 |
| <input type="checkbox"/> Wash down hose | P/N 0701956 |

Moyer Diebel - USA

P.O. Box 4183, Winston-Salem, NC 27115 Tel: 336/661-1992 Fax: 336/661-1979 800/228-8350 www.moyerdiebel.com

Moyer Diebel Ltd. - Canada

2674 North Service Rd., Jordan Station, Ontario, Canada L0R 1S0 Tel: 905/562-4195 800/263-5798
 Fax: 905/562-4618 sales@moyerdiebellimited.com



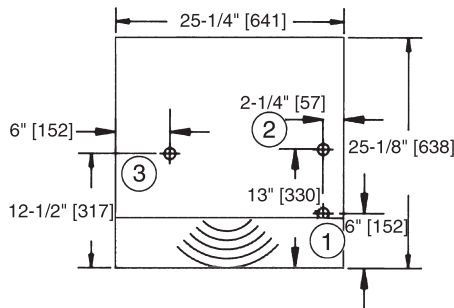


Simply Engineered Better

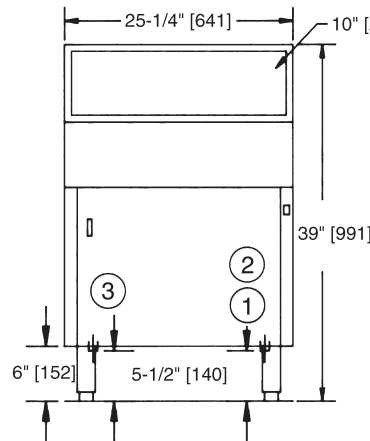
DF

Rotary Type Fully Automatic
Glasswashing Machine

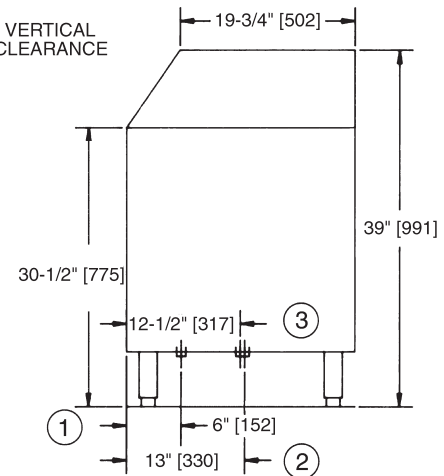
Dimensions shown in inches and [millimeters]



Plan View



Front View



Side View

Utilities	
*Electrical 208 - 230/60/1, 15 amp	
1	Hot water connection 1/2" [13] IPS. Flow pressure 25-95 psi [172.5-656 kPa]
2	Cold water connection 1/2" [13] IPS. Flow pressure 25-95 psi [172.5-656 kPa]
3	Drain connection 1-1/2" [38] tailpiece Connect to drain size according to local plumbing code.

	Uncrated	Crated
Height	39" [991]	46-1/2" [1181]
Width	25-1/4" [640]	27" [685]
Depth	25-1/8" [638]	27-1/2" [698]
Ship Wt. lbs/kg	156/71	176/80
* Adjustable foot height - 11/4" [45]		

***NOTE:** DF Models supplied with 6 ft. [1829] plug in cord. (NEMA 6-15P)

Warning: Plumbing and electrical connections should be made by qualified personnel who will observe all the applicable plumbing, sanitary and safety codes.

SPECIFICATIONS

Capacity (hr.)	2-1/2" [64] glasses	1000
Water Consumption	Cold water (approx.)	2.8 US gpm; 10.6 liters/min; 2.24 imp gpm
	Hot water (initial fill)	3 US gallons; 11.35 liters; 2.4 imp gallons
	(Max use – approx. 10 US gph – 8.3 imp gph)	
Temperatures °F/C	Inlet water (hot)	140-160/61-69
	Inlet water (cold)	75/24
Heating	Tank heat, electric (kW)	3
Conveyor Movement	DF (access door front)	Clockwise
	DF-1 (access door right)	Clockwise
	DF-2 (access door left)	Counter-Clockwise