

MD 1000LT

Door-type
Low Temperature
Dishwashing Machine

STANDARD FEATURES

- Straight-through or corner application – simple conversion in a matter of minutes
- Parts compatibility with other machines
- Superior wash results – unique sump design and the vertical mount, self-draining pump provides quick wash water flow and an ample 55-second wash time that produces sparkling clean wares.
- Direct replacement – the MD 1000LT is a direct replacement for most competitor's models without table modification.
- Delime switch and cycle counter located inside top mounted controls
- 3 chemical dispensing pumps
- Machine fully assembled, ready to install
- 1 Hp TEFC pump motor, vertically mounted, self-draining
- Door safety switch
- Interchangeable upper and lower spray arms
- Airgap design feature eliminates vacuum breaker
- Common utility connection



OPTIONS & ACCESSORIES

- 20" x 20" Peg Rack (not included)
- 20" x 20" Flat Bottom Rack (not included)

SPECIFIER STATEMENT

Specified unit will be Moyer Diebel model MD 1000LT low temperature door-type dishwashing machine.

Constructed of Type 304 stainless steel. Features 1 Hp TEFC pump motor, top mounted controls, balanced door lift system, common utility connections and interchangeable upper and lower spray arms.

Moyer Diebel

P.O. Box 4183, Winston-Salem, NC 27115 USA
Tel: 336/661-1992 Fax: 336/661-1979

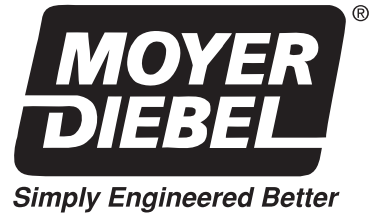
2674 North Service Road, Jordan Station, Ontario
Canada, L0R 1S0

Tel: 905/562-4195 Fax: 905/562-4618

www.moyerdiebellimited.com

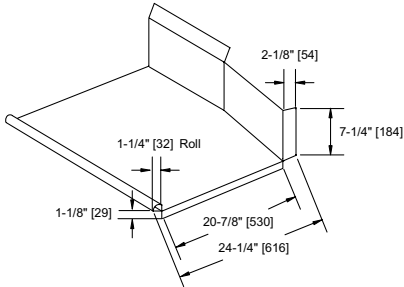
MD 1000LT

Door-type
Low Temperature
Dishwashing Machine

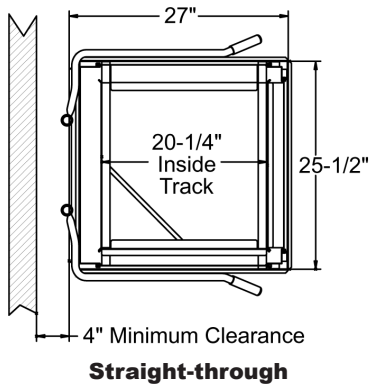


Volume crated: **42 cu. ft. [1.2 cu.m.]**
Shipping weight crated: **216 lbs. [98kg]**
Distance between tables: **25-3/8" [645mm]**

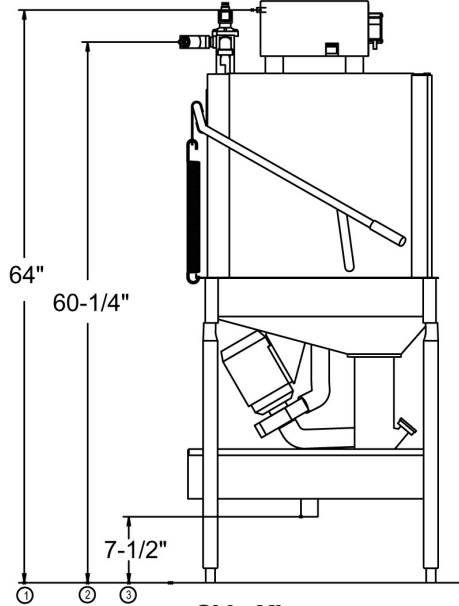
Dimensions shown in inches and [millimeters]



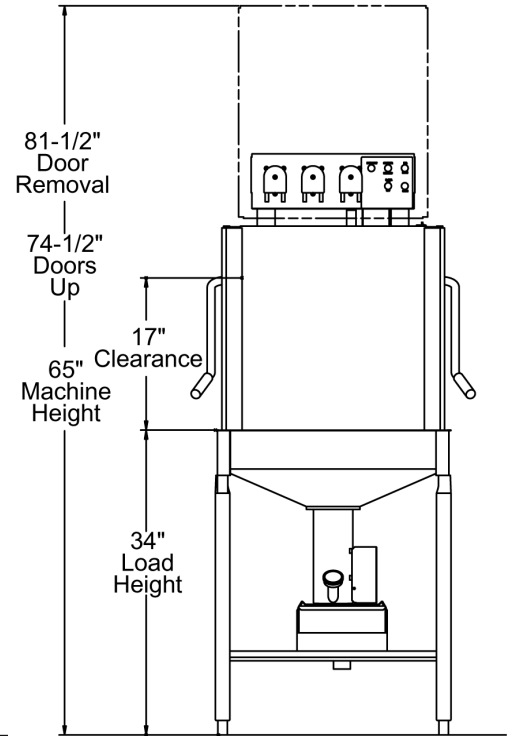
Typical Table Construction



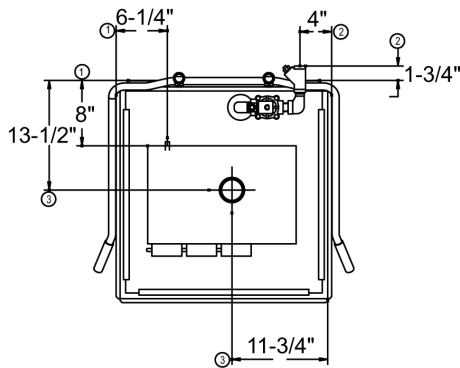
Straight-through



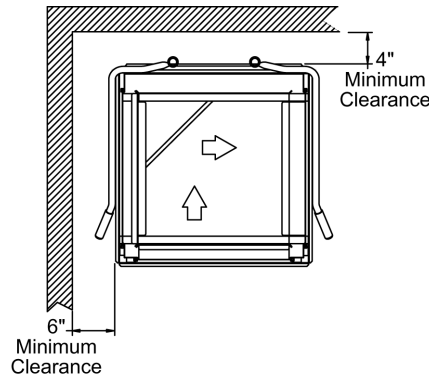
Side View



Front View



Plan View



Corner Configuration

SPECIFICATIONS

Capacities	
Racks per hr.	37
Motor horsepower	
Wash	1 Hp
Water consumption	
U.S. Gal. per rack (imp. gal./liters)	1.7 (1.4/6.4)
Temperatures °F/°C	
Wash	140/60
Rinse	140/60
Time Cycle in Seconds	
Wash	55
Drain/Fill/Dwell	12
Rinse	23
Total cycle	90

Utilities

1 Electrical
115/60/1, 12.0 Machine Load Amps

2 Hot Water
3/4" [19] NPT 140°F/60°C hot water connection;
Flow pressure 7-10 psi

3 Drain
1-7/8" [48] connection.

Warning: Plumbing and electrical connection should be made by qualified personnel who will observe all the applicable plumbing, sanitary and safety codes and the National Electrical Code.

Note: Water Hammer Arrestor (meeting ASSE-1010 standard or equivalent) to be supplied (by others) in common water supply line at service connection.

Due to an ongoing value analysis program at Moyer diebel, specifications contained in this catalog are subject to change without notice.

P. O. Box 4183, Winston-Salem, NC 27115 • 336/661-1992 • Fax: 336/661-1979 • www.moyerdiebel.com
2674 North Service Rd., Jordan Station, Ontario, Canada L0R 1S0 • 905/562-4195 • Fax 905/562-4618 • sales@moyerdiebellimited.com