

MD-1000HT

Door-type
High Temperature
Dishwashing Machine

STANDARD FEATURES

- Straight-through or corner application – simple conversion in a matter of minutes
- Parts compatibility with other machines
- Superior wash results – unique sump design and the vertical mount, self-draining pump provides quick wash water flow and an ample 55-second wash time that produces sparkling clean wares.
- Direct replacement – the MD-1000HT is a direct replacement for most competitor's models without table modification.
- Machine fully assembled, ready to install
- 1 Hp pump, TEFC motor, vertically mounted, self-draining
- Door safety switch
- Interchangeable upper and lower spray arms
- Airgap design feature eliminates vacuum breaker
- Built-in 40°F/22°C rise stainless steel electric booster
- Rinse Sentry – extends the cycle time to ensure 180°F/82°C final rinse
- Common utility connections



OPTIONS & ACCESSORIES

- 70°F/39°C built-in rise stainless steel electric booster
- Detergent pump and rinse pump
- 20" x 20" Peg Rack (not included)
- 20" x 20" Flat Bottom Rack (not included)

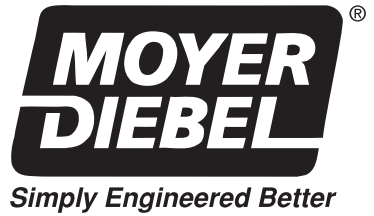
SPECIFIER STATEMENT

Specified unit will be Moyer Diebel model MD-1000HT high temperature door-type dishwashing machine.

Constructed of Type 304 stainless steel. Features 1 Hp TEFC pump motor, top mounted controls, balanced door lift system, common utility connections and interchangeable upper and lower spray arms.

Moyer Diebel
P.O. Box 4183, Winston-Salem, NC 27115 USA
Tel: 336/661-1992 Fax: 336/661-1979
2674 North Service Road, Jordan Station, Ontario
Canada, L0R 1S0
Tel: 905/562-4195 Fax: 905/562-4618
www.moyerdiebel.com

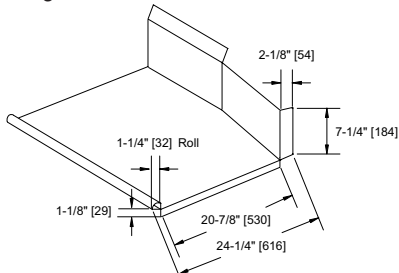
MD-1000HT



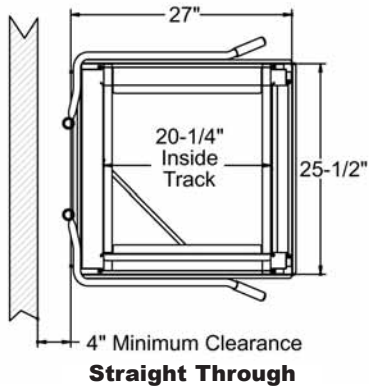
Door-type
High Temperature
Dishwashing Machine

Dimensions shown in inches and [millimeters]

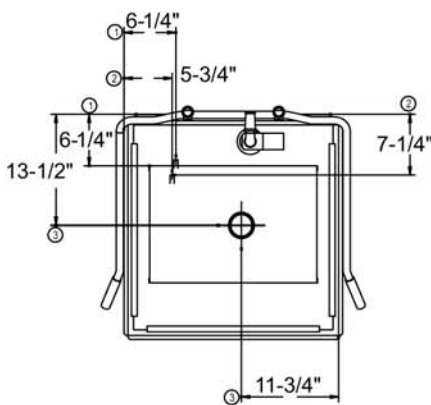
Volume crated: **42 cu. ft. [1.2 cu.m.]**
Shipping weight crated: **242 lbs. [110kg]**
Length between table connections: **25-3/8" [645 mm]**



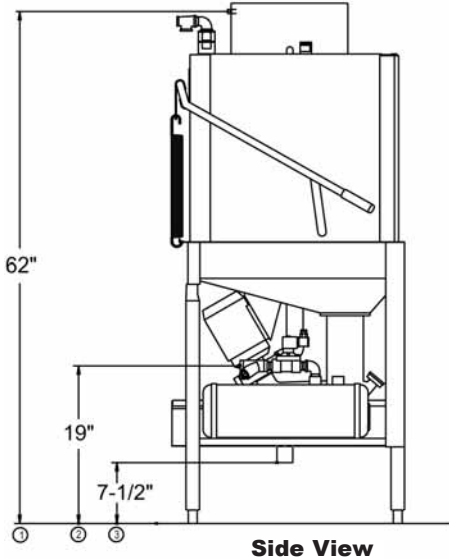
Typical Table Construction



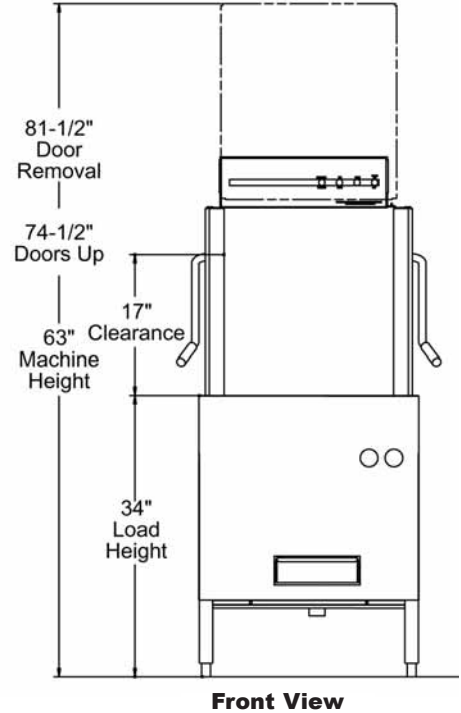
Straight Through



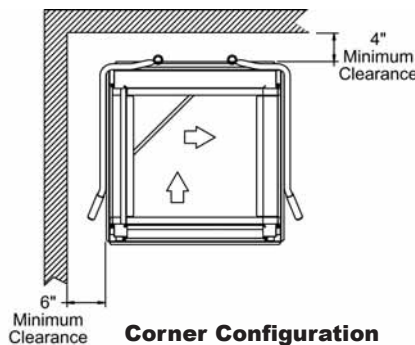
Plan View



Side View



Front View



Corner Configuration

SPECIFICATIONS

Capacities		
Racks per hr.		37
Motor horsepower		
Wash		1 Hp
Water consumption		
U.S. Gal. per rack (imp. gal./liters)		1.7 (1.4/6.4)
Temperatures °F/°C		
Wash		150/66
Rinse		180/82
Time Cycle in Seconds		
Wash		55
Drain/Fill/Dwell		12
Rinse		23
Total cycle		90

Utilities

1	Electrical (see box)
2	Hot Water 3/4" NPT 140°F/60°C hot water connection (40°F/22°C rise booster); 3/4" NPT 110°F/43°C hot water connection (70°F/39°C rise booster); Flow pressure 7-10 psi
3	Drain 1-7/8" connection.

MD-1000HT Electrical (40°F/22°C Rise) 9 kW			
Elec. Specs.	Rated Amps	Minimum Supply Ckt. Conductor Ampacity	Maximum Overcurrent Protective Device
208/60/1	47	60	60
230/60/1	50	60	60
208/60/3	25	35	35
230/60/3	27	35	35

MD-1000HT Electrical (70°F/39°C Rise) 12 kW			
Elec. Specs.	Rated Amps	Minimum Supply Ckt. Conductor Ampacity	Maximum Overcurrent Protective Device
208/60/3	38	50	50
230/60/3	41	50	50

Warning: Plumbing and electrical connection should be made by qualified personnel who will observe all the applicable plumbing, sanitary and safety codes and the National Electrical Code.

Plumbing Note: Because of the variation in house-supplied water, a pressure regulating valve (PRV) for incoming water supply is needed. The PRV can be purchased from Moyer Diebel or obtained locally.

Note: Water Hammer Arrestor (meeting ASSE-1010 standard or equivalent) to be supplied (by others) in common water supply line at service connection.

Due to an ongoing value analysis program at Moyer diebel, specifications contained in this catalog are subject to change without notice.

P. O. Box 4183, Winston-Salem, NC 27115 • 336/661-1992 • Fax: 336/661-1979 • www.moyerdiebel.com
2674 North Service Rd., Jordan Station, Ontario, Canada L0R 1S0 • 905/562-4195 • Fax 905/562-4618 • sales@moyerdiebellimited.com