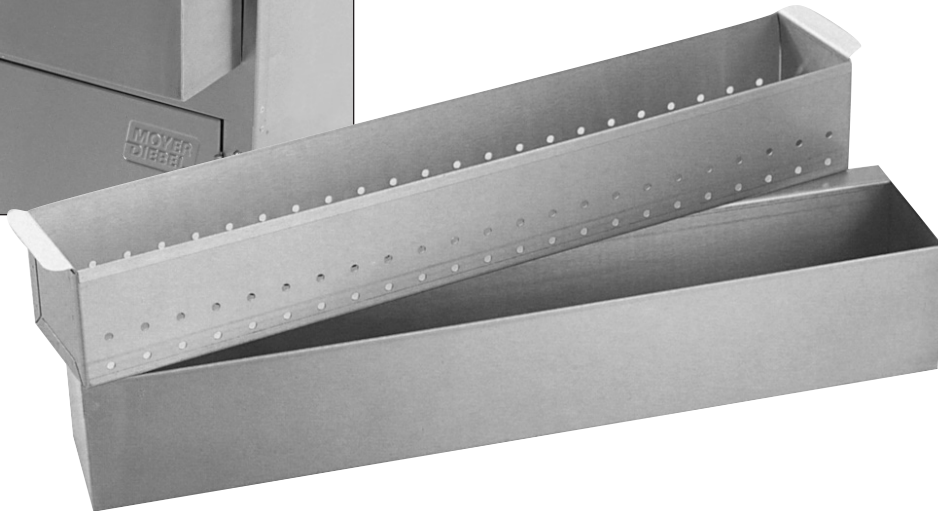




Simply Engineered Better

DF-70A

Wet Wash Tray with Waste Collector



Project _____
Item No. _____
Quantity _____

STANDARD FEATURES

- Avoids clogging of drains
- No special drain hookup required
- Drains directly into DF glasswashers draining system
- Easily removable waste basket for discharges of liquid, ice and condiments
- Assembles in seconds
- Width 24" [610 mm]
Depth 4" [102 mm]
Height 4" [102 mm]

This unit is for use on the DF model glasswashers only.

DF-70A WET WASH TRAY

MD018 Printed in U.S.A.

Moyer Diebel - USA

P.O. Box 4183, Winston-Salem, NC 27115 Tel: 336/661-1992 Fax: 336/661-1979 800/228-8350 www.moyerdiebel.com

Moyer Diebel Ltd. - Canada

2674 North Service Rd., Jordan Station, Ontario, Canada L0R 1S0 Tel: 905/562-4195 800/263-5798
Fax: 905/562-4618 sales@moyerdiebellimited.com

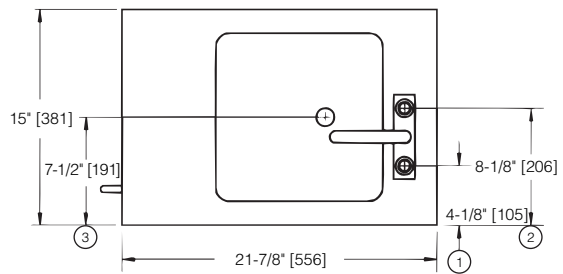


Dimensions shown in inches and [millimeters]

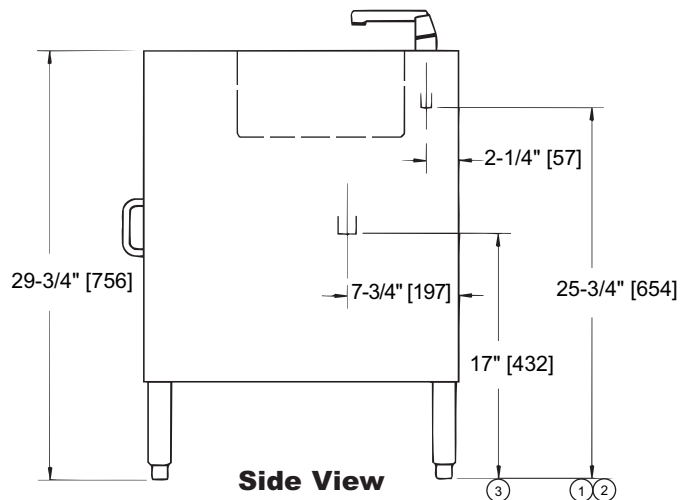


STANDARD FEATURES

- Removable waste basket
- Large storage area under sink
- Complete faucet assembly
- Sturdy adjustable legs
- Standard hook-ups
- Fits flush at either end of the Moyer Diebel DF or SW glasswashers



Plan View



Side View

Utilities	
1	Cold Water 1/2" NPT
2	Hot Water 1/2" NPT
3	Drain 1-1/4" O.D.