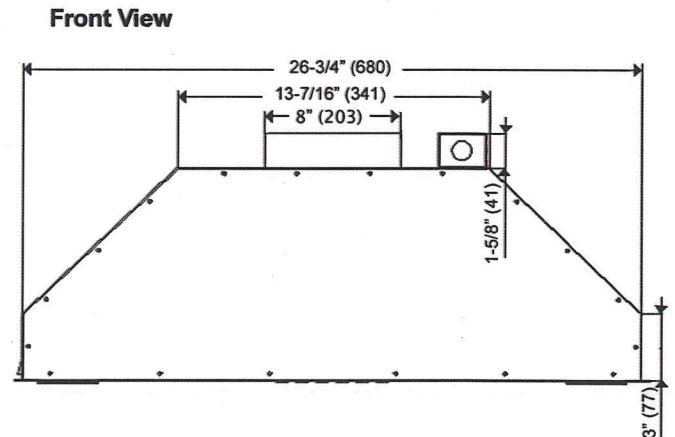
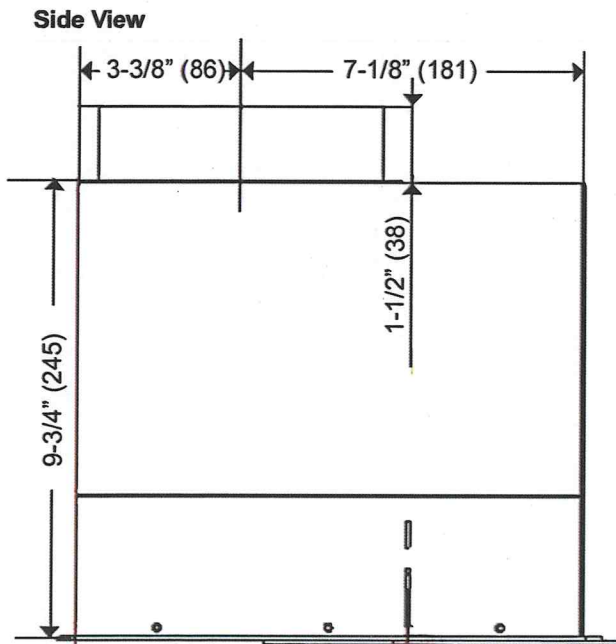
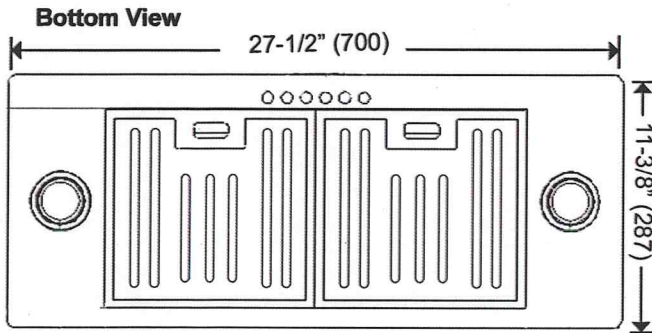


**Premium  
 IN-027 SQB-1 Series  
 Built-In**



<b>Model / Size</b>	IN2730SQB-1 (30")
<b>Appearance</b>	
<b>Stainless Steel</b>	✓
<b>Seamless</b>	✓
<b>Performance</b>	
<b>CFM / Sone</b>	300 to 750 / 1.0 to 5.6 Sones
<b>QuietMode™</b>	1.0 / 40dB
<b>LED Lights</b>	2 x Lights (3W)
<b>Speed</b>	3-Speed
<b>Control</b>	Push Button
<b>Blower Type</b>	Double Horizontal Squirrel Cage
<b>Exhaust</b>	Top 6" Round
<b>Consumption / Ampere</b>	
<b>Filter</b>	Baffle Filter
<b>Change Filter Indicator</b>	Indicate when baffle filter needs cleaning
<b>Optional Accessories</b>	
<b>Liner</b>	INL36211A



Information subject to change without notice.  
 Measurement in inches (mm). Inches are converted from millimeter and are estimated.