

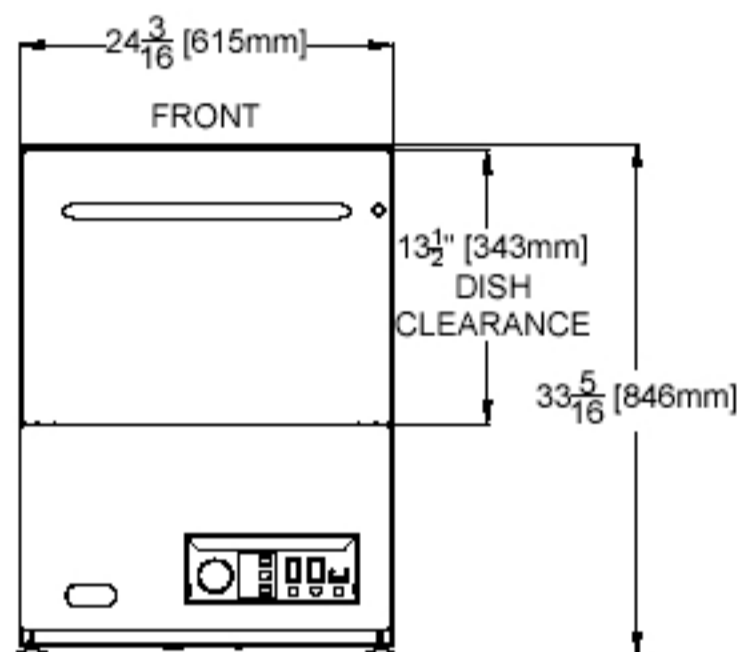
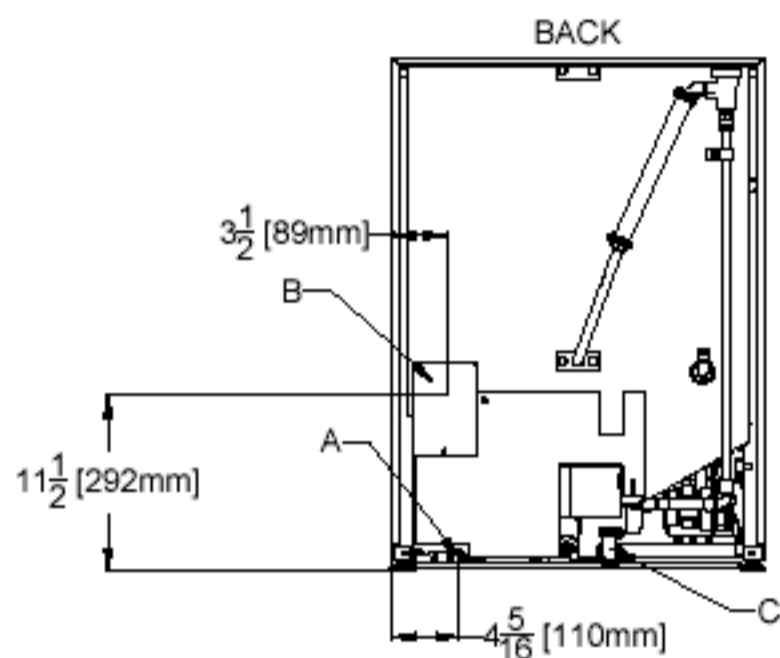
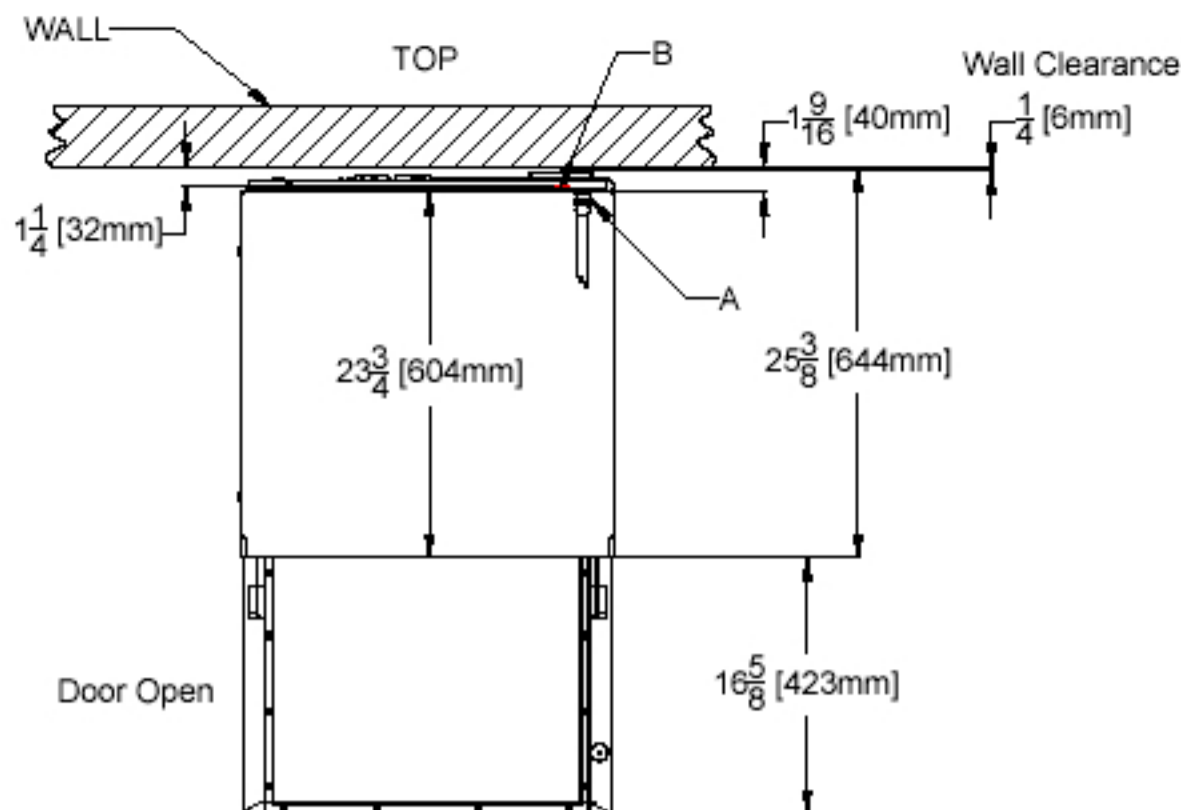
**LEGEND:**

A - Water Inlet - 1/2" Female Pipe Thread, 2 1/2" AFF (Connect to a true 1/2" ID water line)

B - Electrical Connection

C - Drain Connection - 10' coiled drain hose. Shipped inside machine. Must be installed no more than 24" AFF.

All dimensions from floor can be increased 1" with adjustable feet supplied.



**MACHINE DIMENSIONS**

INSIDE CLEARANCE HEIGHT	INSIDE CLEARANCE WIDTH	INSIDE CLEARANCE DEPTH	DOOR OPEN DEPTH	WALL CLEARANCE (MINIMUM)
13-1/2" (343 mm)	20" (508 mm)	20" (508 mm)	42" (1067 mm)	1/4" (6 mm)

**SHIPPING DIMENSIONS**

WEIGHT	CLASS	CUBE	HEIGHT	WIDTH	DEPTH
248 lbs (112 kg)	92.5	19.8 cu. ft.	38" (965 mm)	30" (762 mm)	30" (762 mm)

**APPROXIMATE TOTAL LOAD AMPS**

115/60/1	10.0
----------	------

**ELECTRICAL REQUIREMENTS**

Wash pump HP	3/4
--------------	-----

**WATER REQUIREMENTS**

Gallons per rack	1.2 gal 4.5 liters
Gallons per hour	28.8 gal 109 liters
Flow pressure (PSI)	15 - 25
Waterline size (IPS)	1/2
Drainline size OD	1 3/8

**OPERATING CAPACITY**

Racks per hour	24
Dishes per hour	600
Glasses per hour	864

**OPERATING CYCLE**

Wash cycle (Seconds)	56
Drain time (Seconds)	29
Rinse time (Seconds)	35
Total cycle (Seconds)	120

**OPERATING TEMPERATURES**

Wash	140 °F / 43.3 °C
Rinse	140 °F / 43.3 °C