



DELUXE AND BUDGET DRAWERS

- Stainless Steel Front
- Ball Bearing Slides
- Removable Inset



MODEL #	Width	Description	Inset
SS-2015	17 3/4"	Stainless Steel	20" x 15" x 5"
GZ-2015	17 3/4"	Galvanized	20" x 15" x 5"
SS-2020	22 3/4"	Stainless Steel	20" x 20" x 5"
GZ-2020	22 3/4"	Galvanized	20" x 20" x 5"

DELUXE AND BUDGET DRAWER ACCESSORIES

Pad Lock Hasp TA-13

Drawer Lock TA-14
(Does not apply to Budget Drawers)

Drawers Modified to
15" L/R x 20" F/B* TA-50

Drawer Adapter/Non Catalog Tables
(specify table width). TA-90

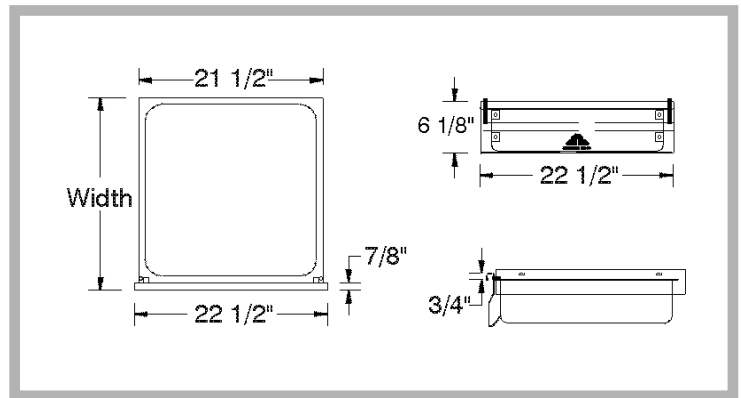
Item #: _____ Qty #: _____
 Model #: _____
 Project #: _____

DELUXE SERIES DRAWERS

DETAILS and SPECIFICATIONS

TOL ± .500"

ALL DIMENSIONS ARE TYPICAL

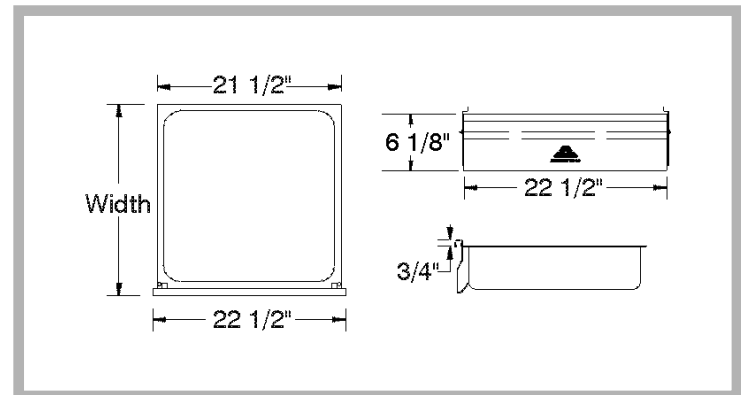


BUDGET SERIES DRAWERS

DETAILS and SPECIFICATIONS

TOL ± .500"

ALL DIMENSIONS ARE TYPICAL



- Friction Slides
- Die Formed Handle



MODEL #	Width	Description	Inset
FS-2015	17 3/4"	Stainless Steel	20" x 15" x 5"
FG-2015	17 3/4"	Galvanized	20" x 15" x 5"
FS-2020	22 3/4"	Stainless Steel	20" x 20" x 5"
FG-2020	22 3/4"	Galvanized	20" x 20" x 5"



NEW YORK
 (800) 645-3166
 Fax: (631) 242-6900

GEORGIA
 (800) 832-1218
 Fax: (770) 775-5625

TEXAS
 (800) 527-0353
 Fax: (972) 932-4795

NEVADA
 (800) 446-8684
 Fax: (775) 972-1578