

# DOUGHPRO™



## Thick Crust Success Every Time

DP1100M Manual Dough Press With Mold Inserts



For operators that want a very thick crust, the ProLuxe DP1100M is for you! Simply choose the size crust you are looking to achieve by choosing from our LPMI series of molds (sold separately). The interchangeable molds simply drop into place and now you are ready to create a thick crust without the labor of forming it by hand. The heated upper platen, backed by our exclusive ProLuxe limited lifetime warranty, allows the dough to flow gently over the edge of the lower platen mold. Molds are available from 8" to 18" all even sizes. This unit comes with an exact 18" plate for those who wish to use this for normal crust pizzas.

### Features

- Manually operated, no motors or compressors required.
- Size of dough ball and LPMI mold inserts dictate size.
- Safe to operate and clean.
- Compact size fits just about anywhere.
- Heated upper platen enhances the baking qualities.
- Embedded with our ProLuxe exclusive limited lifetime cast-in heating elements that create even heat distribution.

In addition to the quality execution and unique customization capabilities, our expert technical support team supports the ProLuxe DP1100M. We are available 24 hours a day/7 days a week to answer any questions and provide you with great, no-debate service support.

**PROLUXE** ™

formerly DoughPro. New Name. Same Quality. Superior Service.

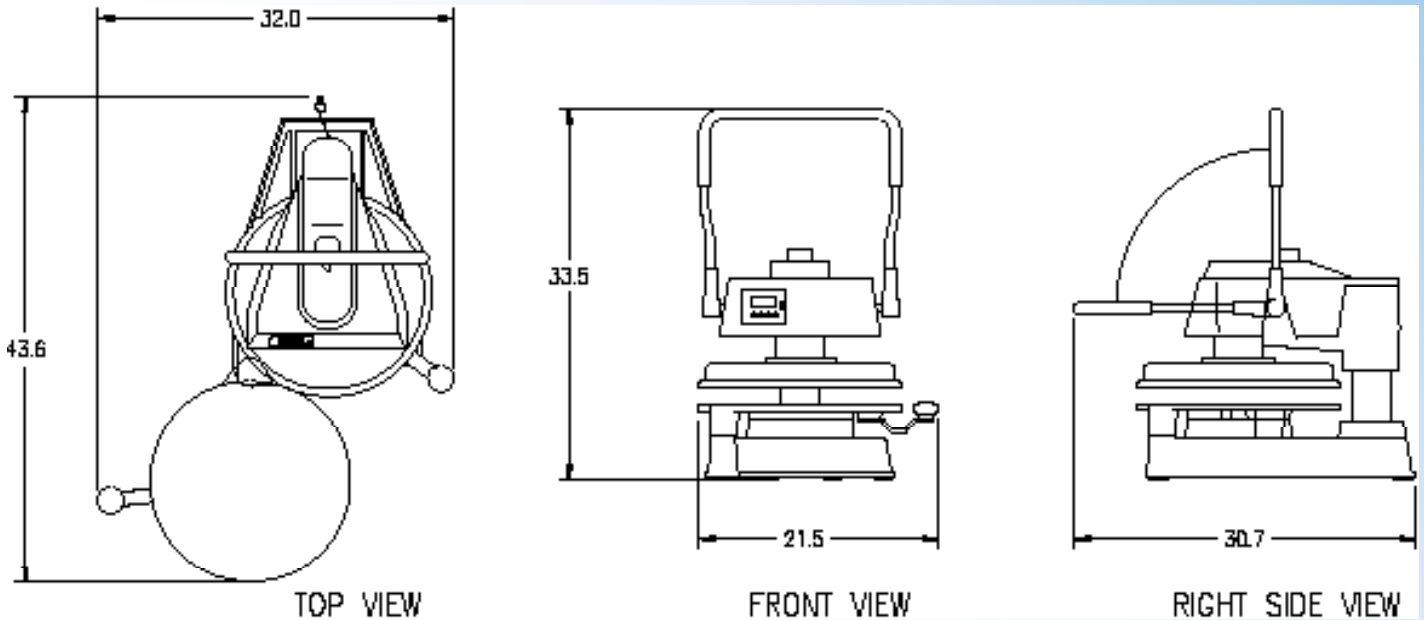
[proluxe.com](http://proluxe.com)

# DOUGHPRO™



## Thick Crust Success Every Time

DP1100M Manual Dough Press With Mold Inserts



ON/OFF Switch	Yes	<b>Electrical Data</b> DP1100MA - 120v/50/60hz 1500w/12.5 amps - NEMA 5-15P DP1100MB - 240v/50/60hz 1500w/6.3 amps - NEMA 6-15P DP1100MCEB - (Europe) 240v/50/60hz 1500w/6.3 amps - NEMA CEE 7/7
Programmable Timer	Yes	
Temperature Control	Yes	
Thickness Adjustment	Yes	<b>Shipping Weight</b> 175lbs/79kg
Maximum Heat	0-450 F	<b>Machine Weight</b> 140lbs/63kg

Power cord length 72"

Listed:



**PROLUXE™**

20281 Harvill Ave | Perris, CA 92570  
 t: (951) 657-0379 | t: (800) 624-6717 | f: (951) 657-4594  
 w: www.proluxe.com | e: info@prolux.com