

Ultra-2A Manual Fill

32.0" x 27.5" x 16.0"
(81.3cm x 69.9cm x 40.6cm)



- CFV (Constant Flow Valve) for accurate brixing of product
- Two large 3gal (11.4L) hoppers for optimum cooling and serving capacity
- Simple brix adjustment
- Full 2-year parts and 1-year labor warranty. 5-year parts and 1-year labor warranty on compressor and 3-year parts and labor warranty on electronics. See the product manual for additional details.
- Refrigeration system internally monitored to ensure long lasting performance
- Reversing auger design quickens freeze time and reduces air mixing
- Very simple to program and run with touchpad display, which also guides cleaning and preventive maintenance

Agency:



Specifications

Product #: 34000.0570

Water Access: Not Plumbed

Finish: Stainless/White

Hoppers: Two

Handle: Standard Handle

Additional Features

Electrical & Capacity

| Volts | Amps | Watts | Cord Attached | Plug Type | 8oz cups/hr 236ml cups/hr | Input H ² O Temp. | Phase | # Wires plus Ground | Hertz |
|---------|---------|-----------|---------------|-----------|------------------------------|------------------------------|-------|---------------------|-------|
| 220-240 | 4.7-5.1 | 1050-1100 | Yes/ | - | - | 60°F (15.5°C) | 1 | 2 | 50/60 |

Plumbing Requirements

| PSI | kPa | Fitting Supplied | Water Flow Required (GPM) |
|-----|-----|------------------|---------------------------|
| - | - | - | - |

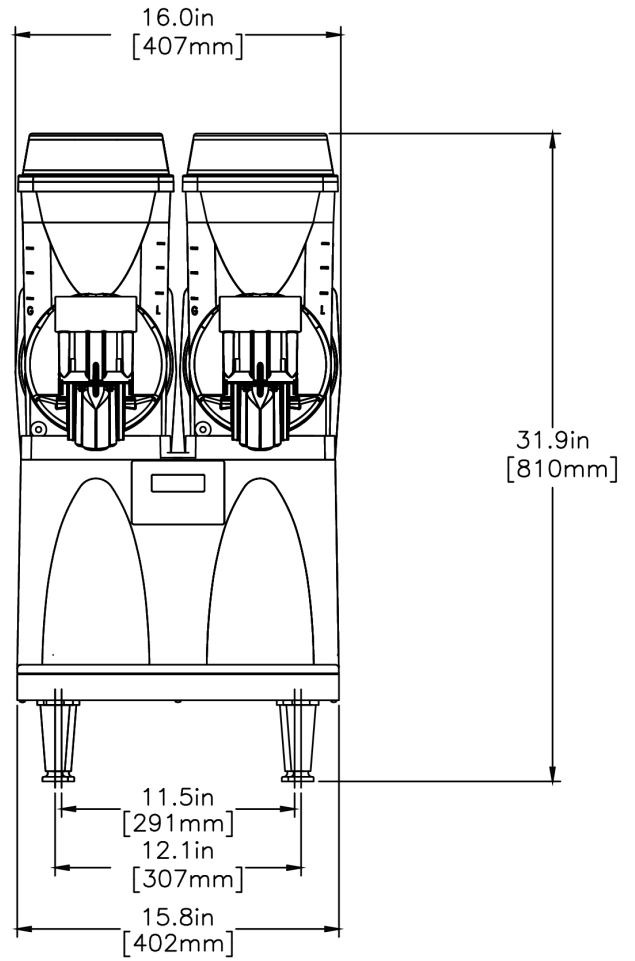
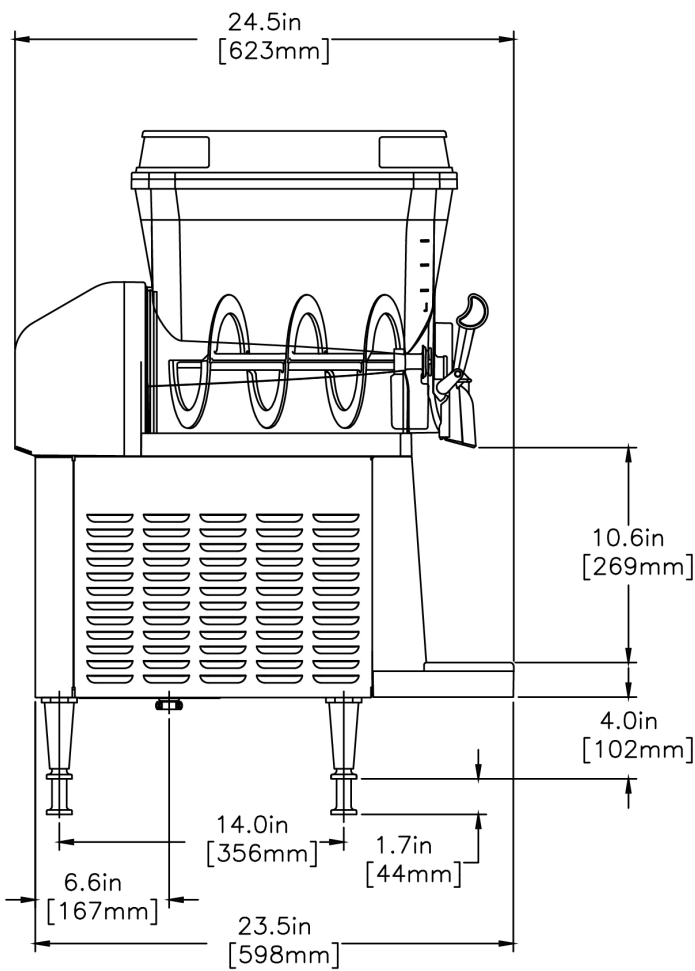
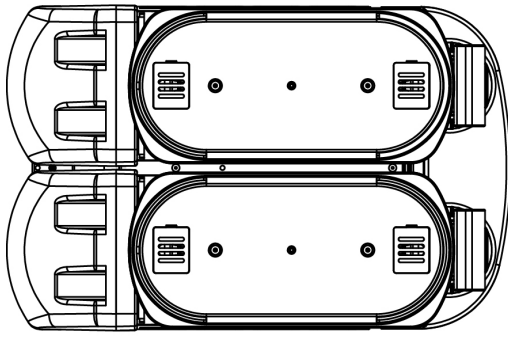
CAD Drawings

| 2D | Revit | KLC |
|----|-------|-----|
| ● | | |



BUNN® reserves the right to change specifications and product design without notice. Such revisions do not entitle the buyer to corresponding changes, improvements, additions or replacements for previously purchased equipment. For most current specifications and other info visit bunn.com.

Created on:
05/11/2018



| Unit | | | Shipping | | | | | |
|---------|----------|----------|----------|-------|--------|-------|-------------|--------|
| | Width | Height | Depth | Width | Height | Depth | Weight | Volume |
| English | 16.0 in. | 32.0 in. | 27.5 in. | - in. | - in. | - in. | 127.000 lbs | - |
| Metric | 40.6 cm | 81.3 cm | 69.9 cm | - cm | - cm | - cm | 57.607 kgs | - |



BUNN® reserves the right to change specifications and product design without notice. Such revisions do not entitle the buyer to corresponding changes, improvements, additions or replacements for previously purchased equipment. For most current specifications and other info visit bunn.com.

Created on:
05/11/2018

Related Products & Accessories: Ultra-2A Manual Fill(34000.0570)



DRIP TRAY ASSY,
LOWER

Product #: 28086.0000

COVER, DRIP TRAY
ULTRA 2 WHT

Product #: 32068.0000



BUNN® reserves the right to change specifications and product design without notice. Such revisions do not entitle the buyer to corresponding changes, improvements, additions or replacements for previously purchased equipment. For most current specifications and other info visit bunn.com.

Created on:
05/11/2018

Serving & Holding Options: Ultra-2A Manual Fill(34000.0570)

Serving and Holding selections are currently unavailable. Please contact your sales representative to find out more information.



BUNN® reserves the right to change specifications and product design without notice. Such revisions do not entitle the buyer to corresponding changes, improvements, additions or replacements for previously purchased equipment. For most current specifications and other info visit bunn.com.

Created on:
05/11/2018