

# BUNN®

## Twin Infusion Series® Coffee Brewer

ITEM#

PROJECT

DATE



### Features

#### Infusion Coffee Brewer

- Brews up to 18.9 gallons (71.5 litres) of perfect coffee per hour.
- Large 5.6-gallon (21.2 litre) tank provides back-to-back brewing capacity at 208-240V applications.
- Two voltages available, 120-208/28amp or 120-240/25amp.
- Each side has 3 brew buttons, allowing for 3 separate brewing profiles. Two programmable batch switches allow full and half batch brewing.
- Brews into 2.5 to 3.8 litre (84 to 128 oz.) airpots and 3.8 and 5.7 litre (1 to 1.5 gal) baseless ThermoFresh® servers for easy transport of coffee to other locations.
- BrewWISE® intelligence with pre-infusion and pulse brew for maximum flavor extraction. DBC grinder communicates with brewer through Smart Funnel®.
- Energy-saver mode reduces tank temperature during idle periods.
- Digital display in English/Spanish for easier programming and control. Advertising messages and machine status also displayed. Display capable of showing English or Metric measurements.
- Black and stainless models available.
- Compatible with BUNNlink®.

#### Model ICB-Twin with 1.5 Gal Baseless ThermoFresh® Server in Stainless and Black

(servers sold separately)

Dimensions: 26.2"H x 20.1"W x 22.6"D\*  
(66.5cm H x 51.2cm W x 57.5cm D)

\*models built after Oct 16, 2009 will be 20.6" deep (52.3cm)

For current specification sheets and other information, go to [www.bunn.com](http://www.bunn.com).

### Related Products

**Easy Clear® EQHP-10**  
Product No. : 39000.0004



**Easy Clear® EQHP-10L**  
Product No. : 39000.0001

**Single/Dual Filter Pack**  
Product No. : 20138.0000  
Packed per case: 500  
Dimensions:  
5¼" Base x 4¼" Sidewall  
13.3 cm Base x 10.8 cm Sidewall



**3.8 litre Lever-Action Airpot**  
Product No. : 36725.0000 (1 pack)  
Product No. : 36725.0100 (6 pack)  
Capacity: 128 oz. (3.8 L)

**3.0 litre Lever-Action Airpot**  
Product No.: 32130.0000 (1 pack)  
Product No.: 32130.0100 (6 pack)  
Capacity: 102 oz. (3.0 L)

**2.5 litre Lever-Action Airpot**  
Product No.: 32125.0000 (1 pack)  
Product No.: 32125.0100 (6 pack)  
Capacity: 84 oz. (2.5 L)

**Universal Airpot Racks**  
see spec sheet A3.10



**1 gal (3.8 litre) ThermoFresh Server**  
Product No.: 39500.0004 (SST without base)  
Product No.: 39500.0005 (BLK without base)

**1.5 gal (5.7 litre) ThermoFresh Server**  
Product No.: 39550.0004 (SST without base)  
Product No.: 39550.0005 (BLK without base)



**TF Server Stand**  
Product No.: 39795.0000

#### Model

ICB-Twin

#### Agency Listing



Patents Apply

9/09 **A3.5a**

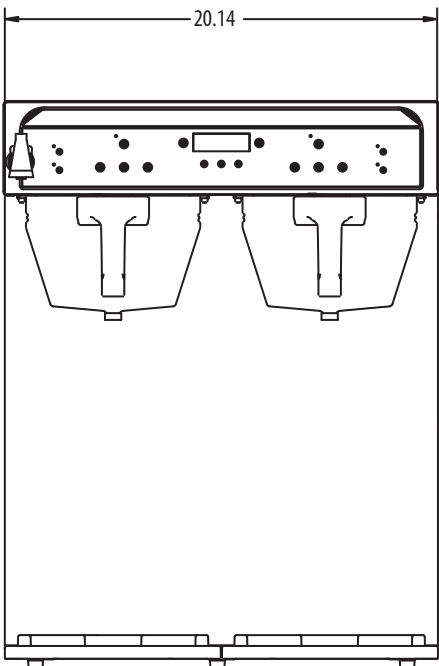
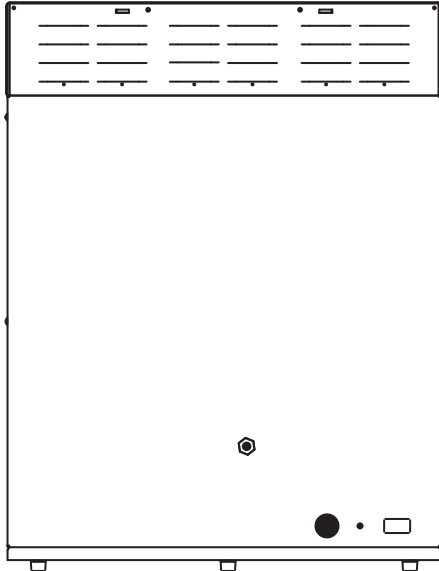
## Dimensions & Specifications

Model	Product #	Volts	Amps	Tank Heater Watts	Total Watts	Capacity	Cubic Measure	Shipping Weight	Cord Attached
ICB-Twin	37600.0000	120/240	25	6000	6000	18.9 gal/hr	12.06 ft <sup>3</sup>	77 lbs	Yes
ICB-Twin	37600.0002	120/208	28	6000	6000	18.9 gal/hr	12.06 ft <sup>3</sup>	77 lbs	Yes
ICB-Twin Black	37600.0004	120/240	25	6000	6000	18.9 gal/hr	12.06 ft <sup>3</sup>	77 lbs	Yes

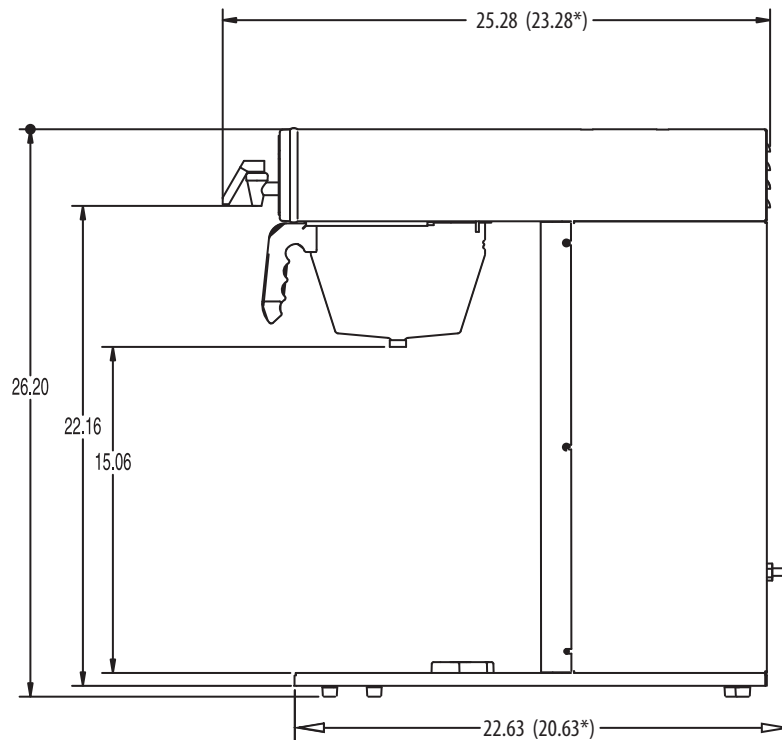
**Brewing Capacity:** Based upon incoming water temperature or 60°F/15.5°C (140°F/60°C) rise.

**Electrical:** Requires 3-wires plus ground service rated 120/208V or 120/240V, single phase 60Hz.

**Plumbing:** 20-90 psi (138-621 kPa). Supplied with 3/8" male flare fitting. Requires minimum of 1.5 gpm water flow.



\*depth of models built after Oct 16, 2009



Bunn-O-Matic® Corporation - 1400 Stevenson Drive Springfield, Illinois 62703 • 800-637-8606 • 217-529-6601 • Fax 217-529-6644 • www.bunn.com

BUNN® practices continuous product research and improvement. We reserve the right to change specifications and product design without notice. Such revisions do not entitle the buyer to corresponding changes, improvements, additions or replacements for previously purchased equipment.

All dimensions shown in inches.

9/09 © Bunn-O-Matic Corporation