

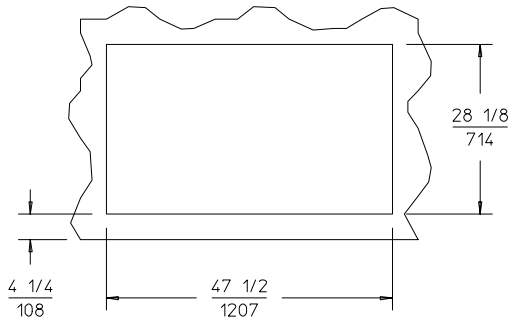
BUILT-IN GRIDDLES

MODEL JG-246 UL

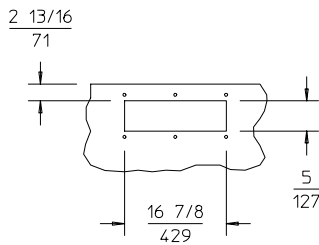
ELECTRICAL

MODEL	VOLTS	WATTS	AMPS PER LINE 3 PHASE			AMPS SINGLE PHASE	FIELD WIRING GAUGE		TEMP. RATING
			L1	L2	L3		3 PHASE	1 PHASE	
JG-246 UL	208	6000	14.4	14.4	25.0	28.9	10	8	75°C
JG-246 UL	240	8000	16.7	16.7	28.9	33.3	10	8	75°C

CUTOUT DETAILS

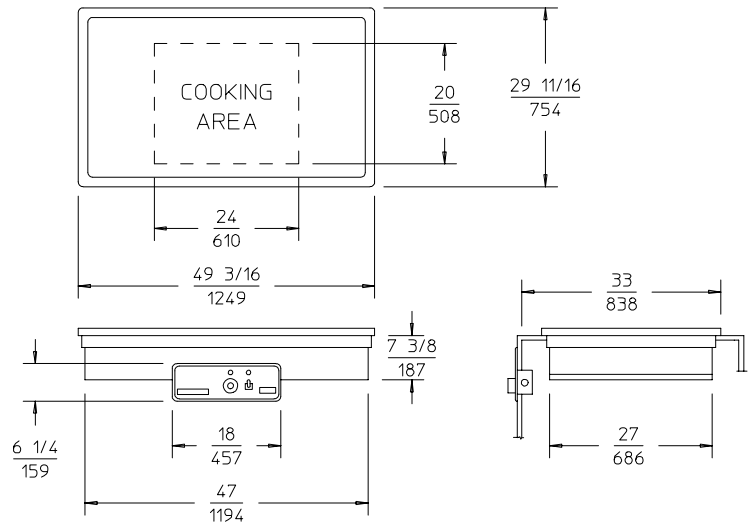


TOP CUTOUT



FRONT PANEL CUTOUT

PRODUCT DIMENSIONS



CLEARANCES

MINIMUM CLEARANCE FROM UNIT TO THE NEAREST SURFACE		
BACK	SIDE	BOTTOM
2 1/4 (57)	2 1/4 (57)	3 (76)

INSTALLATION INSTRUCTIONS

INSTALLER MUST MEET CONDITIONS OF ACCEPTABILITY OUTLINED BELOW UPON INSTALLATION:

1. Required installation clearances: Wooden and Metal Installation: DO NOT install closer than 4 1/4 inches to front wall, 2 1/4 inches to side and back walls, and 3 inches to surface below the unit. Depending on the installation, clearances may be reduced upon further evaluations to UL standards.
2. Unit shall be accessible for servicing from the bottom.
3. If storage is to be used underneath the unit, it is recommended that a baffle be placed 4 1/2 inches below the unit to avoid contact with elevated temperatures.

TO FABRICATE:

1. Layout "cutout" dimensions on countertop and front apron.
2. Layout and fabricate control panel hole in counter apron using the control box as a template.
3. Cut out holes (Note: "stiffening" around perimeter of countertop cutout not normally required).

TO INSTALL:

1. Remove control panel front from electrical box by removing 6 screws. IMPORTANT: Do not disconnect conduit or wires from thermostat or switch.
2. Apply gray gasket material provided with the unit to the underside of the griddle flange. Caulk underside periphery of griddle flange with a bead of silicone adhesive/sealant. This will assure a more effective seal between countertop and griddle flange. Lower electrical box through the countertop opening and through the front panel opening. Position griddle in countertop opening.
3. Connect service leads (see wiring requirement label) to the terminal block located in the right side corner of the control panel. (See Wiring Diagram for this unit). Check nameplate for correct voltage.
4. Secure control panel to counter apron using the screws provided.