

#4545 P.002 /002

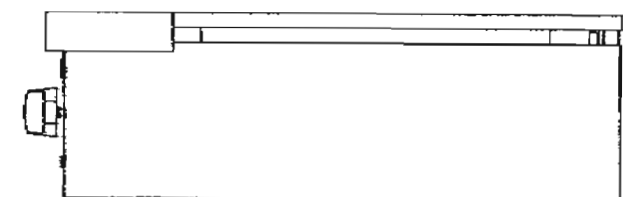
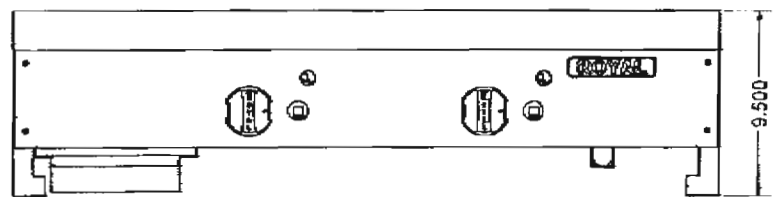
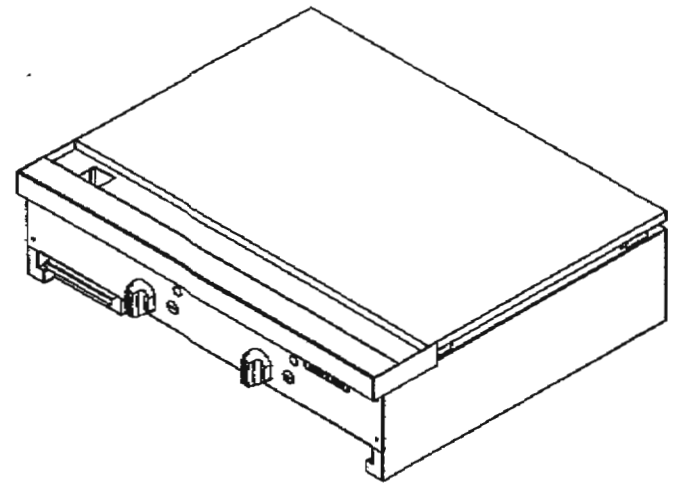
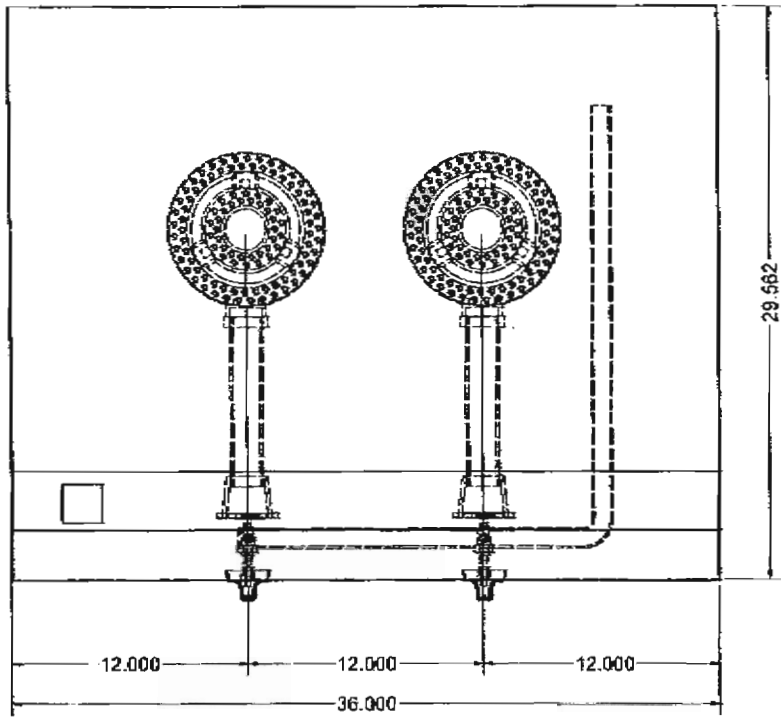
ROYAL RANGE

FEB.28.2011 11:05 9513607500

THESE DRAWINGS AND SPECIFICATIONS ARE THE PROPERTY OF ROYAL RANGE OF CALIFORNIA AND SHALL NOT BE REPRODUCED OR COPIED WITHOUT THEIR WRITTEN PERMISSION.

PART NO.:

MODEL: RTY-36



<small> UNLESS OTHERWISE SPECIFIED: DIMENSIONS ARE IN INCHES DECIMALS TO 0.01 FRACTIONS 1/16 HOLE DIA. TO 0.001 UNLESS OTHERWISE SPECIFIED DIMENSIONS ARE IN INCHES </small>	MATERIAL:		
	PART SIZE:		
	DRWN BY: RG	DATE: 2/28/2011	REQUIRMT
	CHKD BY:	UPDATE:	

ROYAL
 RANGE OF CALIFORNIA, INC.
 3245 CORRIDOR DR.
 MIRA LOMA, CA 91752

DRAWING NAME: RTY-36 W/2 BURNERS ASSY	PART NO.:
MODEL NO.:	
PROJECT: TEPPAN-YAKI	

SCALE: NONE	REV.:
SHEET 1 OF 1	