



1250 Victoria St, Carson, CA 90746
 Tel. 310-900-1000 Fax. 310-900-1077
 www.turboairinc.com

Project :

Model # :

Item # :

Qty :

Available W/H :

Approval :

Microwave Ovens - Heavy Duty

**Model : TMW-1200HD
 TMW-1800HD**



≡ FEATURES / BENEFITS ≡

- COMMERCIAL STYLING & DURABILITY (1800W., 1200W.) FOR FAST HEATING AND COOKING
- 14 TOUCH CONTROL PADS & EASY-TO-READ VFD DISPLAY PROGRAM UP TO 200 MENU ITEMS FOR SIMPLE ONE-TOUCH COOKING
- DOUBLE QUANTITY PAD (X2) INCREASES A PRE-PROGRAMMED COOKING TIME FOR MULTIPLE SERVINGS OF FOODS
- 60 MIN COOKING TIMER & DEFROST FUNCTION
- 5 POWER LEVELS & 3 STAGES COOKING OPTION
- VARIABLE BEEP TONES (MUTE MODE AVAILABLE)
- START/20 SEC.+ PAD FOR SPEEDY COOKING AND ADDING REHEAT TIME BY 20S. INCREMENTS
- AUTO COOLING TO COOL DOWN THE OVEN AFTER USAGE
- AUTO DISPLAY OFF (15SEC/30SEC/ 1MIN/2MIN)
- CLEAN AND STURDY STAINLESS STEEL EXTERIOR AND INTERIOR
- HEAT RESISTANT ADVANCED CERAMIC TRAY INSIDE
- EASY-TO-CLEAN FLAT BOTTOM
- TEMPERED GLASS DOOR WITH INTERIOR LIGHT ALLOWS MONITORING OF FOOD
- EASY GRIP AND RECESSED DOOR HANDLE
- CLEAN AIR FILTER WITH CONVENIENT CLEAN FILTER REMINDER (7/30/90 DAYS)
- 2 SETS STACKABLE TO SAVE THE COUNTER SPACE
- AUTOMATICALLY SAVES THE SERVICE INFORMATION SUCH AS USAGE HOURS, DOOR OPENING & CLOSING TIMES, ETC.
- IDEAL FOR QUICK SERVICE AND FAMILY-STYLE RESTAURANTS, FAST CASUAL DINING

Model	Net Weight (lbs.)	W x D x H (inches)
TMW-1200HD	36.3	22 x 19 x 13 1/2
TMW-1800HD	36.3	22 x 19 x 13 1/2

Microwave Ovens - Heavy Duty

Model : TMW-1200HD / TMW-1800HD

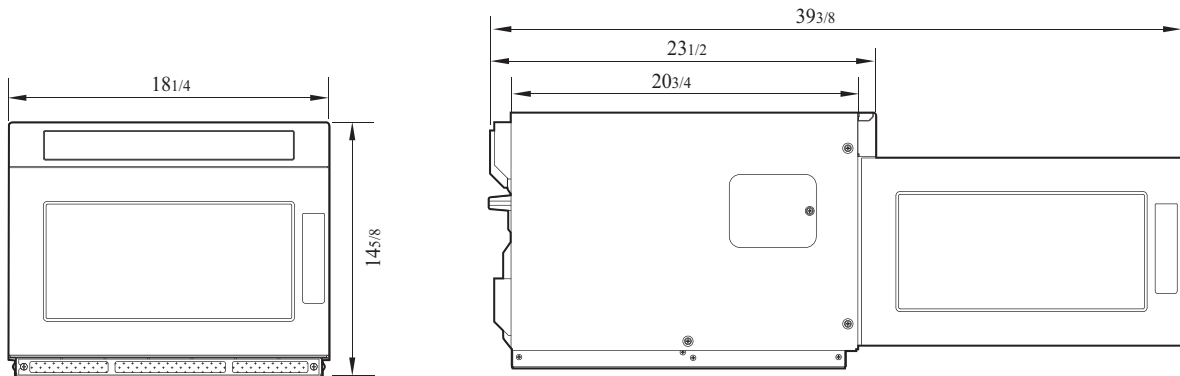
Model		TMW-1200HD	TMW-1800HD
Cavity Volume		0.9 cu.ft.	0.9 cu.ft.
Power Output		1,200W	1,800W
Voltage		115/60/1	208~230/60/1
AMP		18	15
Plug-In		NEMA 5-20P	NEMA 6-20P
Dimensions(L x D x H)	Cavity	14 ⁵ / ₈ x 14 ⁵ / ₈ x 7 ⁷ / ₈	14 ⁵ / ₈ x 14 ⁵ / ₈ x 7 ⁷ / ₈
	Unit	18 ¹ / ₄ x 23 ¹ / ₂ x 14 ¹ / ₂	18 ¹ / ₄ x 23 ¹ / ₂ x 14 ¹ / ₂
Net Weight		64 lbs.	69 lbs.
Gross Weight		69 lbs.	75 lbs.

Design and specifications subject to change without notice.
Actual shipping weight may differ due to extra packing materials for product protection.

Ver.201210

PLAN VIEW

(unit : inch)



FRONT VIEW

SIDE VIEW

- Turbo Air : 800-627-0032
- GK : 800-500-3519
- Warranty : 800-381-7770
- AC : 888-900-1002