



Externally Mounted Ventilators – Install Quick Specs VEN100E

Installation Type & Discharge Direction

Mounted outside of house on exterior roof or wall.

CFM Rating

1000 CFM = VEN100E

Minimum Duct Size

10" round

Maximum Equivalent Straight Duct Length

50 feet

Equivalent Straight Lengths

- 1 foot of 8" or 10" duct = 1 foot
- 1 foot of 3 ¼" x 14" rectangular = 1 foot
- 8" round 90 degree Elbow = 5 feet
- 10" round 90 degree Elbow = 3 feet
- Wall or Roof Cap = 2 feet

Standard Features

- Adaptable to all Wind Crest Traditional and "X" series hoods
- Weather-resistant galvanized steel construction
- Thermally protected, permanently lubricated motor
- Dynamically balanced 11" diameter blower wheel
- Neoprene resilient anti-vibration mounted
- Built-in Flashing plate for roof or wall mount
- Easily removed blower cover for periodic cleaning

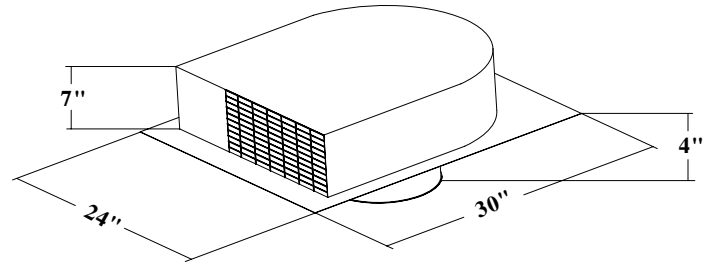
Ventilator Only Rating*

6.2 Amps @ 120 V AC, 60 Hz

*Maximum power supply required is 15 Amps @ 120 V AC, 60 Hz.

Ventilator Carton Weight:

VEN100E = 80 lbs.

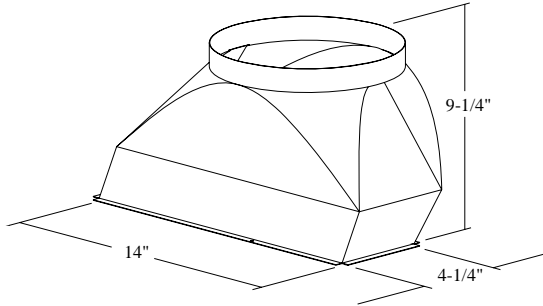


VEN100E

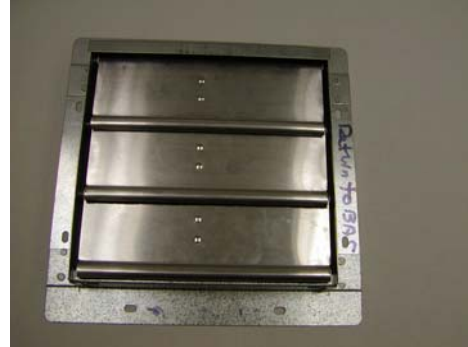


When installed in Wind Crest hoods

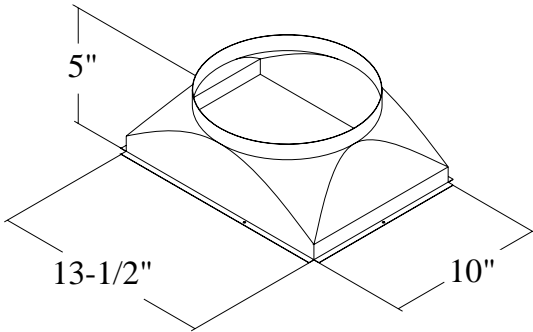
Hood Transitions Available – Install Quick Specs



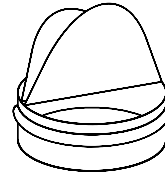
#10100 = Rectangular to 8" Round duct
#10287 = Rectangular to 10" Round duct



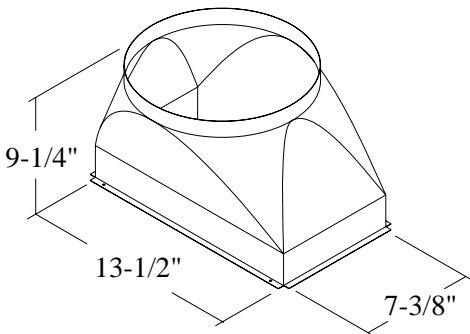
#11259 = 13" x 13" x 2 1/4" deep Gravity Damper to 10" Round Collar. Includes a Bird Screen (Steel w/Aluminum Louvers).



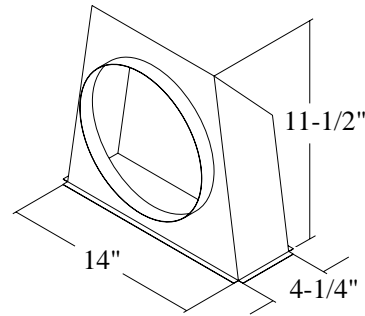
#11254 = Rectangular to 10" Round for rear exhaust/thin walls



#10288 = 8" Round Backdraft Damper
#10289 = 10" Round Backdraft Damper

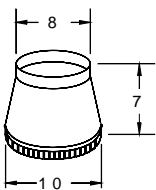


#11257 = Rectangular to 10" Round use with VEN100E or VEN150E remote blowers.

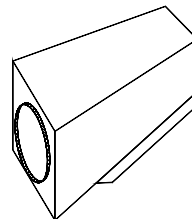


10377.00

#10377 = 10" Round Rear Discharge



#10173 = 10" to 8" Round Adapter



11 1/2" h x 16" w

#10566 = 10" Round Left Side Discharge (shown)
#10378 = 10" Round Right Side Discharge