



## Internally Mounted Ventilators – Install Quick Specs VEN060I

### Installation Type & Discharge Direction

Mounted inside hood canopy. Can be mounted for vertical or horizontal discharge, **depending on the hood specified (see individual hood specifications)**

### CFM Rating

640 CFM – Single Blower  
1280 CFM – Dual Blower applications

### Minimum Duct Size

8" round

### Maximum Equivalent Straight Duct Length

50 feet

### Equivalent Straight Lengths

- 1 foot of 8" or 10" duct = 1 foot
- 1 foot of 3 ¼" x 14" rectangular = 1 foot
- 8" round 90 degree Elbow = 5 feet
- 10" round 90 degree Elbow = 3 feet
- Wall or Roof Cap = 2 feet

### Standard Features

- Adaptable to all Wind Crest hoods
- Brushed aluminized steel construction
- Thermally protected, permanently lubricated motor
- Dynamically balanced 5 ½" diameter blower wheel
- Neoprene resilient anti-vibration mounted
- Low RPM for very quiet performance
- Two VEN060I internal blowers can be mounted in the following hoods. This requires a dual wire harness (part #10220).
  - WSL and WCL hoods 48" or wider
  - WER 60" wide hoods
  - PSL 66" wide hoods

### Ventilator Motor Ratings\*

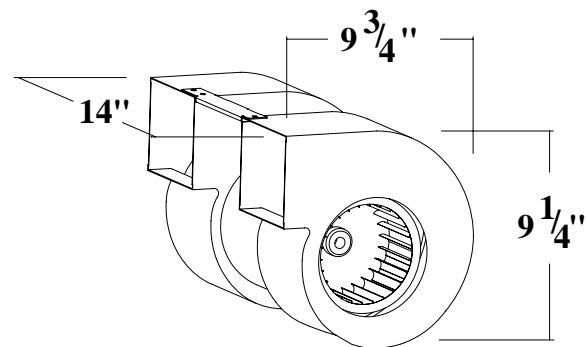
*Hoods without Heat Lamps:*  
2.8 Amps @ 120 V AC, 60 Hz

*Hoods with Heat Lamps:*  
7.2 Amps @ 120 V AC, 60 Hz

\*For maximum power supply required, refer to hood series selected.

### Ventilator Carton Weight:

VEN060I = 23 lbs.

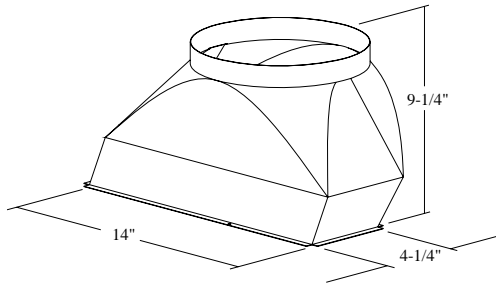


**VEN060I**

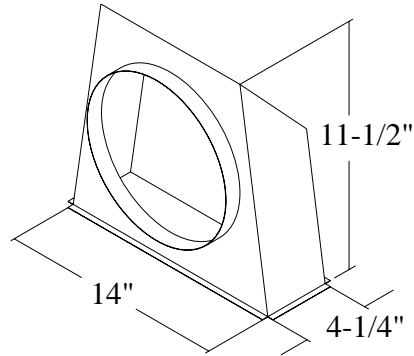


When installed in Wind Crest hoods

**Hood Transitions Available – Install Quick Specs**

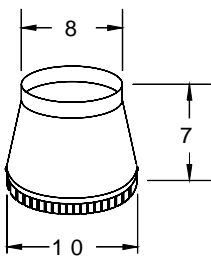


**#10100** = Rectangular to 8" Round duct  
**#10287** = Rectangular to 10" Round duct

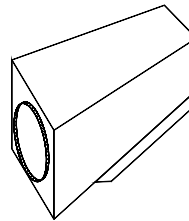


10377.00

**#10377** = 10" Round Rear Discharge

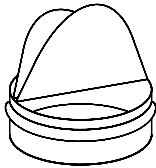


**#10173** = 10" to 8" Round Adapter

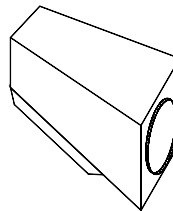


11 1/2" h x 16" w

**#10566** = 10" Round Left Side Discharge

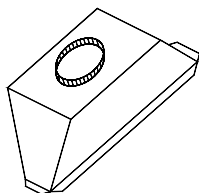


**#10288** = 8" Round Backdraft Damper  
**#10289** = 10" Round Backdraft Damper



11 1/2" h x 16" w

**#10378** = 10" Round Right Side Discharge



11 1/2" h x 32 3/4" w

**#10542** = Plenum Transition to 10" round (use with dual Internal or Remote blower on 48" and larger WSL, WCL, WER60 or PSL66 hoods)

Copyright 2007 Wind Crest by CNP Industries

*Install Quick Specs are for planning purposes only. Please refer to the detailed installation instructions, prior to making any cutouts.*