



# MarineSeries

Item No. \_\_\_\_\_  
 Project \_\_\_\_\_  
 Quantity \_\_\_\_\_

## 30" Electric Range With Standard Oven Base

## Model: R30S-\_\_M



Model R30S-ATBM shown

### MARINE SHORT/BID SPECIFICATION

Range shall be a LANG Manufacturing Marine Model R30S-\_\_\_\_  
[Specify one]:

- ATAM, with 4 ea. 8" diameter French Plates;
- ATBM, with 1 ea. 12" X 24" X 3/4" thick Hot Plate and 2 ea. 8" diameter French Plates
- ATCM, with 2 ea. 12" X 24" X 3/4" thick Hot Plates;
- ATDM, with 1 ea. 18" X 24" X 1/2" thick Griddle and 2 ea. 8" diameter French Plates;
- ATEM, with 1 ea. 18" X 24" X 1/2" thick Griddle and 1 ea. 12" X 24" X 3/4" thick Hot Plate or
- ATFM, with 30" X 24" X 1/2" thick Griddle

...a 30" wide heavy duty electric heated unit with standard oven base and 14-kW total power input; hatchable two piece construction with all stainless steel exterior; fully insulated oven with aluminized steel interior, heavy duty drop-down door with latch and one oven rack standard; individual oven and cook-top component controls; Sea rails and stainless steel front grab bar.

### MARINE PRODUCT WARRANTY

One year, parts & labor (Labor in U.S. only)

### MARINE CONSTRUCTION FEATURES

- Two piece modular construction
- Heavy duty 430 Series stainless steel exterior, with attractive No. 4 finish
- 12" high cooking compartment is aluminized steel
- 2" insulation on six sides of cooking compartment
- Incoloy sheathed tubular oven heating elements
- Heavy duty, spring-assisted, hinge-down oven door with latch
- One oven rack provided
- Sea rails and full width front mounted grab bar
- 2-3/4" wide full width front grease trough
- Grease drain in trough with full width & depth spillage drawers
- Griddle top configurations include one piece welded splash guard back & sides
- 4" adjustable legs w/ bolt-down flange standard

### PERFORMANCE FEATURES

- Multi-function 30" wide unit fits into tight marine galleys
- Hatchable two-piece design allows movement through 26" X 66" watertight hatch
- Choice of six cook-top configurations, to include:
  - 4 ea. 8" diameter French Plates
  - 2 ea. 8" diameter French Plates & a 18" wide Griddle
  - 2 ea. 8" diameter French Plates & 1 ea. 12" wide Hot Top
  - 1 ea. 12" wide Hot Top & a 18" wide Griddle
  - 2 ea. 12" wide Hot Tops
  - 30" wide, 1/2" thick Griddle
- Full front grease trough, grease drain & spillage drawers speed cleanup
- Separate, independent controls allows precise multi-function cooking

### CONTROLS [Varies By Top Configuration]

- Oven thermostat
- Top & bottom element 3-heat switches
- [-ATAM] Four individual 6-heat switches [ea. French Plate]
- [-ATBM] Two individual 6-heat switches [ French Plates] & one 850 degree thermostat [Hot Top]
- [-ATCM] Two 850 degree thermostats [Hot Tops]
- [-ATDM] Two individual 6-heat switches [ French Plates] & one thermostat [Griddle]
- [-ATEM] One 850 degree thermostat [Hot Top] & one thermostat [Griddle]
- [-ATFM] Two thermostats, one per 12" of Griddle plate



Sheet No. LMSP-R1 (rev. 07/07)



# 30" Electric Range With Standard Oven Base

# Model: R30S- \_ M

## CONFIGURATION GUIDE

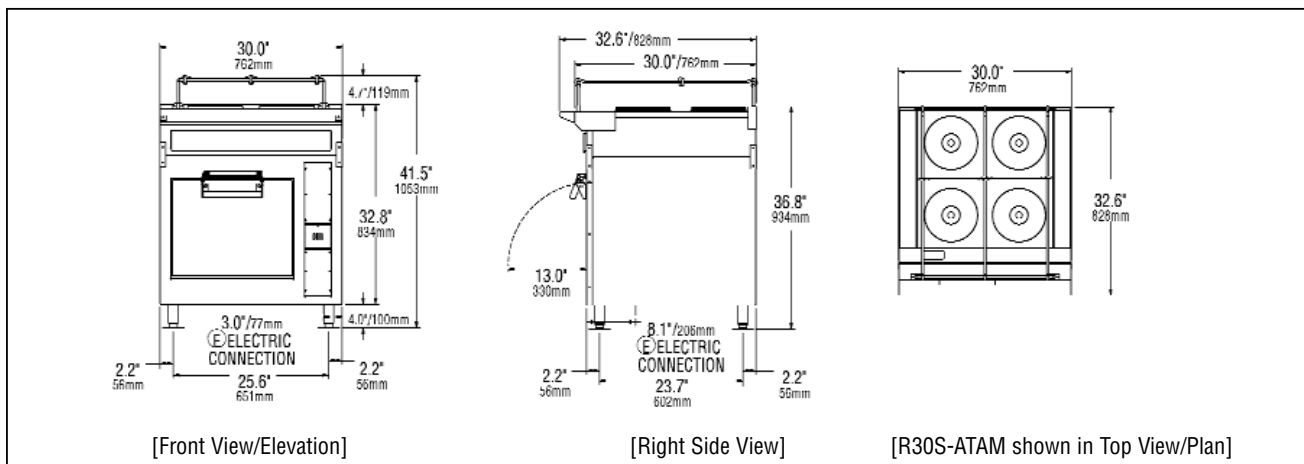
Model Has:	R30S-ATAM	R30S-ATDM	R30S-ATBM	R30S-ATEM	R30S-ATCM	R30S-ATFM
Oven Base:	Standard	Standard	Standard	Standard	Standard	Standard
Griddle:	-	18" wide	-	18" wide	-	30" wide
French Plates:	4 each	2 each	2 each	-	-	-
Hot Plates:	-	-	1 each	1 each	2 each	-
Pictogram: [Unit Top View]						

## MARINE INSTALLATION REQUIREMENTS

- (E) Single 208V or 240V, 1/ 3-Phase; or 440V/480V, 3-phase electrical connection
- Consult marine codes for installation requirements. [Power connection from bottom. See below]

## MARINE OPTIONS & ACCESSORIES

- 440V/480V, 3-phase model
- Stainless steel oven interior
- Set of 6" Legs [Required for NSF Listing]
- Add curb mounting flange
- Extra wire pan rack [One provided as std.]



Model	Height x Width x Depth (With standard legs)	Clearance from combustible surface	Weight		Freight Class
			Actual	Shipping	
R30S	41.5" x 30.0" x 32.6" 1053mm x 762mm x 828mm	Sides: 4" (100mm) Back: 4" (100mm)	295-360* lbs. 134-164 kg	345-410* lbs. 157-186 kg	85

\* Depending on configuration.

Model	Volts AC - Hz	Total kW	Amps - Three Phase	Amps - Single Phase
R30S	208 - 50/60	14.0	41.7	67.3
	240 - 50/60	14.0	36.1	58.3
	440 - 50/60	11.8	16.6	N/A
	480 - 50/60	14.0	18.1	N/A

Due to continuous improvements, specifications subject to change without notice.



Sheet No. LMSP-R1 (rev. 07/07)

LANG MANUFACTURING - A DIVISION OF STAR MANUFACTURING INT'L, INC. • 10 SUNNEN DR. ST. LOUIS, MO 63143  
TOLL FREE: 800.264-7827 • FAX: 314-781-3636 • www.langworld.com