

# UPRIGHT REACH-IN FREEZERS

Top Mounted Condensing Unit



**EVEREST**  
REFRIGERATION

www.EVERESTref.com

UPRIGHT REACH-IN FREEZERS (TOP MOUNT)

## ES – Series

• ESF1 • ESFH2 • ESF2 • ESWF2 • ESF3



ESF1



ESFH2



ESF2



ESWF2



ESF3

### Cabinet Construction

Heavy duty stainless steel interior and exterior, with galvanized steel finished top, bottom and back wall of exterior. ABS evaporator drain cover. 2.5" thick high density foamed-in-place polyurethane insulation. Four 4" diameter casters (front casters with brakes). Door heater installed around inside cabinet frame to prevent moisture build-up.

### Refrigeration System

- Self-contained condensing unit located at top of cabinet for high performance
- Oversized condenser and evaporator coils quickly achieve and maintain desired temperature
- Forced-air cooling with multiple evaporator fan motors providing balanced airflow throughout cabinet to ensure faster temperature drop
- Environmentally friendly CFC free R-404A refrigerant
- Adjustable, time initiated defrost cycle of 3 to 12 hours with 350 watt defrost heater, both time and temperature terminated for fail-safe operation
- Automatic evaporator fan motor delay after defrost cycle
- Copper tube and aluminum fin evaporator with anti-corrosive coating
- Exterior anodized aluminum drain pan for self sufficient condensation removal
- Two pressure relief ports for rapid cabinet re-entry
- Interior airflow backguard to ensure proper air circulation
- Pre-wired and ready to plug, 115V/60Hz/1Ph, NEMA 5-15P, model ESF3 (230V/60Hz/1Ph) without plug

### Doors

- Heavy duty stainless steel interior and exterior
- 2.5" thick high density foamed-in-place polyurethane insulation
- Rounded corners for a sleek and modern appearance
- Heavy duty adjustable torsion spring self-closing door system
- One piece snap-in magnetic door gaskets for easy replacement
- Heavy duty recessed door handles
- Door locks
- Field reversible doors (*available from 2013 models*)

### Lighting

- Shielded incandescent interior lighting

### Shelving

- Three epoxy coated wire shelves per section
- Stainless steel pilasters and shelf clips

### Temperature Control


- Factory preset temperature, -4°F
- Temperature setting range from -10°F to 54°F
- Easy to read digital temperature display
- Easy to program push button temperature control
- Microchip digital control and monitoring system with a variety of functions to monitor and maintain optimum temperature

• Project / Customer \_\_\_\_\_

• Item No. \_\_\_\_\_

• Model No. \_\_\_\_\_

### Warranty

 **5 Year — Compressor Warranty**  
**3 Year — Parts & Labor Warranty**  
Applicable to units purchased after July 1, 2014.

### Contact

 201 W. Artesia Blvd, Compton, CA 90220  
T. (310) 323-6586, (800) 444-6285  
F. (310) 323-7524, (310) 761-1127

# UPRIGHT REACH-IN FREEZERS

Top Mounted Condensing Unit



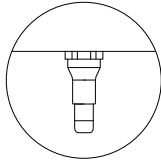
**EVEREST**  
REFRIGERATION

www.EVERESTref.com

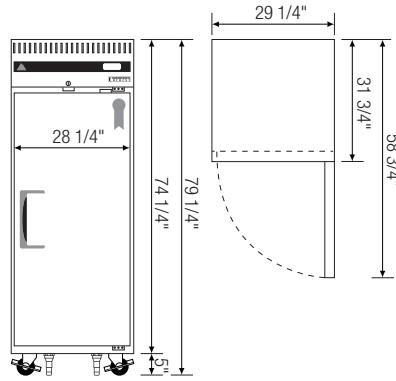
## ES – Series

• ESF1 • ESFH2 • ESF2 • ESWF2 • ESF3

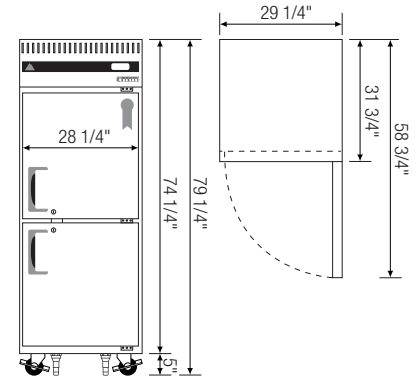
### Dimensions



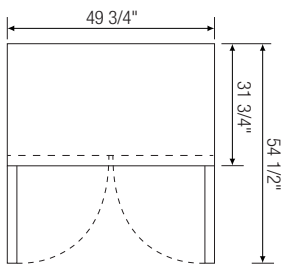
Two additional front adjustable stainless steel clad ABS legs for model ESF1 and ESFH2 to provide extra stability when opening and closing doors, and one additional leg for ESF3 for weight support.



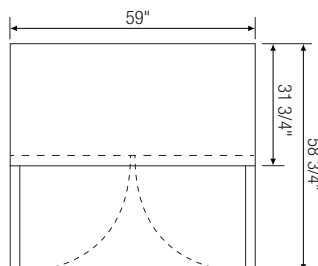
▲ ESF1



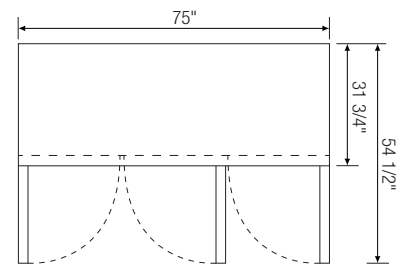
▲ ESFH2



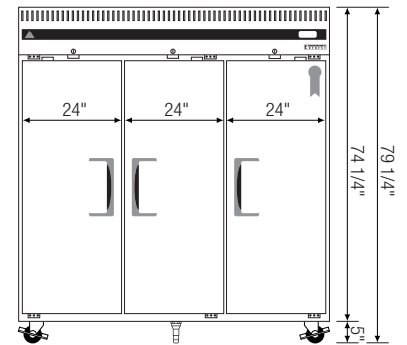
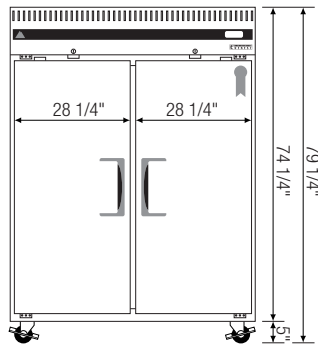
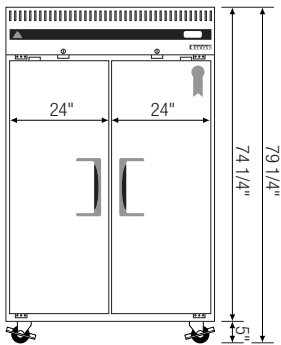
▲ ESF2



▲ ESWF2



▲ ESF3



Model	Ref/ Frz/ Dual	# of Doors	Capacity (Cu.Ft.)	HP	Refrigerant	# of Shelves	Power (V-Hz-Ph)	Amps	Crated Weight (LBS)	Exterior Dimensions (Inches)			* Height does not include 5" for casters  Ref = Refrigerator Frz = Freezer Dual = Ref & Frz Combo H = Half Door
										L	D	H*	
ESF1	Frz	1	23	1/2+	R-404A	3	115-60-1	7.57	300	29 1/4	31 3/4	74 1/4	
ESFH2	Frz	2(H)	23	1/2+	R-404A	3	115-60-1	7.60	302	29 1/4	31 3/4	74 1/4	
ESF2	Frz	2	48	1/2+ x 2	R-404A	6	115-60-1	15.12	468	49 3/4	31 3/4	74 1/4	
ESWF2	Frz	2	55	1/2+ x 2	R-404A	6	115-60-1	15.12	507	59	31 3/4	74 1/4	
ESF3	Frz	3	71	1/3+ x 3	R-134A	9	230-60-1	12.36	661	75	31 3/4	74 1/4	

Disclaimer: Product dimensions are for general purposes and not absolute value. Slight variations may exist. If dimensions are critical, please contact Everest.