



FREE-STANDING INDUCTION WOK  
 MWG-1800, MWG-2500, MWG-3000, MWG-3500

PRODUCT: QTY: ITEM #:



**Standard Features:**

- Portable tabletop design with stainless steel housing, heavy duty electronic components, and specifically engineered, high-impact, high-temperature, recessed glass wok bowl designed for commercial use in kitchens
- Induction coil surrounds glass bowl to allow for maximum heating of induction compatible wok pan
- Control knob for ease of use for setting automatic power
- 20 power cook settings
- Pan Maximizer feature achieves maximum heating rate of induction compatible wok pan
- Sloped front panel allows for easy viewing and operation
- Microprocessor monitors vital components 120 times per second to check for overheating, power supply problems, and more. Cooktop shuts off and displays error codes enabling user to diagnose and fix minor problems
- LED display for precise user feedback
- Automatic pan detection allows for instant energy transmission to pan, and no energy use when pan is not present
- Automatic shut-off feature protects against overheating
- Easy-to-clean surface
- Integral cooling fan keeps internal electronics cool
- Available in 1800 Watts (100-120V), 2500, 3000 and 3500 Watts (200-240V)
- One year limited warranty
- Made in the USA

Note: Free wok pan with every wok cooktop purchase.

**Specifications:**

Shall be a CookTek induction wok, Model \_\_\_\_\_ with a total kW rating of \_\_\_\_\_. Unit shall be manufactured in the United States and constructed of a stainless steel housing with a specifically engineered, high-impact, high-temperature, recessed glass wok bowl to accommodate wok pan. Unit shall be equipped with a built-in SmarTemp™ microprocessor that performs auto shut-off to prevent over-heating, self-diagnostics, and a pan maximizer feature that ensures maximum heating of induction compatible wok pans. Unit shall have adjustable knob control with 20 power cooking settings. Unit shall operate on \_\_\_\_\_ power with cord and plug supplied.

**CookTek**  
 810 West Washington Blvd.  
 Chicago, Illinois 60607 USA  
 www.cooktek.com

Tel: 1.312.563.9600 Fax: 1.312.432.6220  
 Toll Free: 1.888.COOKTEK (266-5835)  
 Toll Free Fax: 1.888.COOKFAX (266-5329)

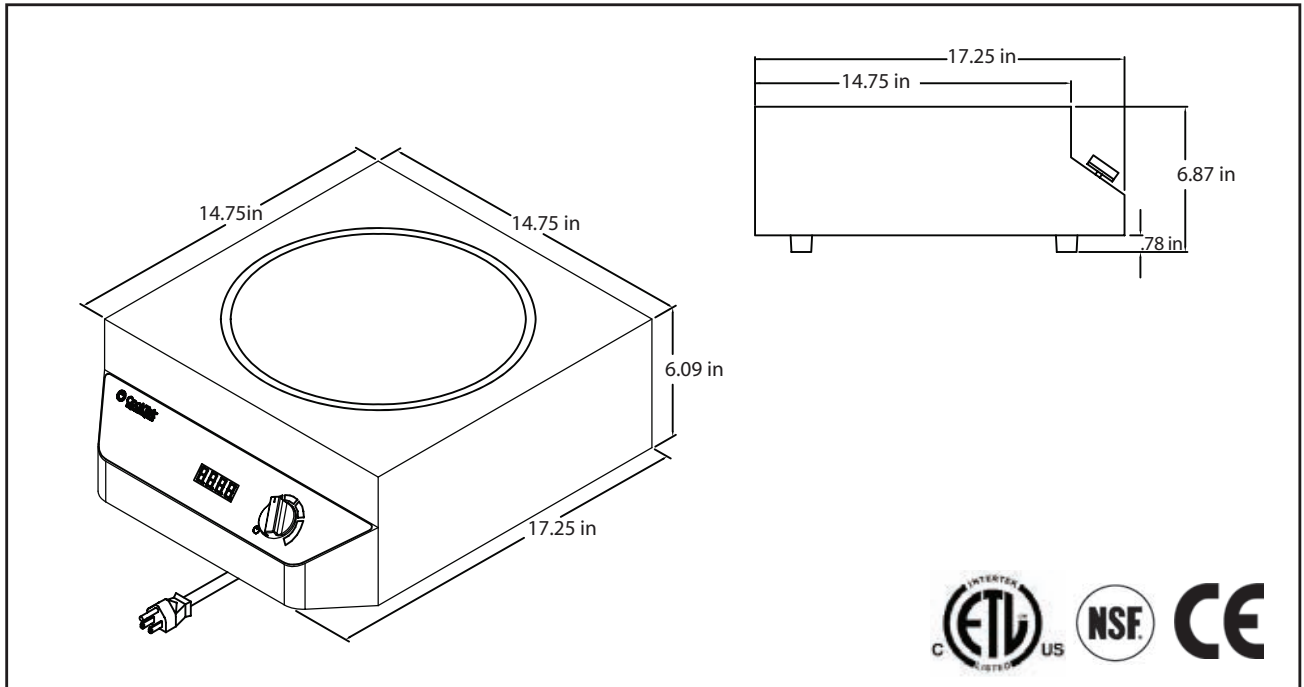


FREE-STANDING INDUCTION WOK MWG-1800, MWG-2500, MWG-3000, MWG-3500





**FREE-STANDING INDUCTION WOK**  
**MWG-1800, MWG-2500, MWG-3000, MWG-3500**



**SPECIFICATIONS**

Model Number	MWG-1800	MWG-2500	MWG-3000	MWG-3500
Power requirements	100-120V, 1PH	200-240V, 1PH	200-240V, 1PH	200-240V, 1PH
Power consumption	1800 Watts	2500 Watts	3000 Watts	3500 Watts
BTU comparison	16,000 BTU	22,000 BTU	26,000 BTU	31,000 BTU
Voltage	100-120V, 50/60Hz	200-240V 50/60Hz	200-240V 50/60Hz	200-240V 50/60Hz
Amperage	15 amps (at max. setting)	11 amps (at max. setting)	13 amps (at max. setting)	15 amps (at max. setting)
Power range	100-1800W	100-2500W	100-3000W	100 - 3500W
Temperature range	85 - 500F	85 - 500F	85 - 500F	85 - 500F
Surface dimensions (inches)	17.25L x 14.75W x 6.87H	17.25L x 14.75W x 6.87H	17.25L x 14.75W x 6.87H	17.25L x 14.75W x 6.87H
Weight	22.0 lbs	22.0 lbs	22.0 lbs	22.0 lbs
Packaged weight	27.0 lbs	27.0 lbs	27.0 lbs	27.0 lbs
Packaging (inches) dimensions	24.0L x 24.0W x 15.0H	24.0L x 24.0W x 15.0H	24.0L x 24.0W x 15.0H	24.0L x 24.0W x 15.0H
North American Cord length & plug*	6 Ft., NEMA 5-15P	6 Ft., NEMA 6-20P	6 Ft., NEMA 6-20P	6 Ft., NEMA 6-20P
Warranty	One year limited warranty	One year limited warranty	One year limited warranty	One year limited warranty
Cooling clearance	2" for front, sides and rear	2" for front, sides and rear	2" for front, sides and rear	2" for front, sides and rear

\*International cordsets available.

**Note:** Many local codes exist, and it is the Owner and Installer's responsibility to comply with those codes. It's CookTek's policy to continually improve its products, and we reserve the right to change or improve our specifications without notification.

**CookTek**  
 810 West Washington Blvd.  
 Chicago, Illinois 60607 USA  
 www.cooktek.com

Tel: 1.312.563.9600 Fax: 1.312.432.6220  
 Toll Free: 1.888.COOKTEK (266-5835)  
 Toll Free Fax: 1.888.COOKFAX (266-5329)



FREE-STANDING INDUCTION WOK MWG-1800, MWG-2500, MWG-3000, MWG-3500