



**APOGEE FREESTANDING COOKTOPS**  
**MC-1800G, MC-2500G, MC-3000G, MC-3500G**

PRODUCT: QTY: ITEM #:



**Standard Features:**

- Portable tabletop design with 18 gauge 304 stainless steel housing, heavy duty electronic components, and high impact ceramic glass top designed for use in the commercial kitchen
- Built in cooking timer
- SmarTemp™ temperature control allow for 100 power cook and temperature settings
- Pan Maximizer feature achieves maximum heating of any induction compatible pan
- Microprocessor monitors vital components 120 times per second to check for overheating, power supply problems, and more. Cooktop shuts off and displays error codes enabling user to diagnose and fix minor problems.
- LCD display panel with capacitive touch for precise user feedback and operation
- Automatic pan detection allows for instant energy transmission to pan
- Automatic shut-off feature prohibits overheating
- Sloped front panel allows for easy viewing and operation
- Easy-to-clean glass top and front surface
- Integral cooling fan keeps internal electronics cool
- Available in 1800 watts (110-120V), 2500, 3000 and 3500 watts (208-240V)
- One year limited warranty
- Made-in-the-USA

**Specifications:**

Shall be a CookTek free-standing induction cooktop, Model \_\_\_\_\_ with a total kW rating of \_\_\_\_\_. Unit shall be manufactured in the United States and constructed of a stainless steel housing and a high impact ceramic glass top. Unit shall be equipped with built in SmarTemp™ temperature control with 100 precise power and temperature settings, auto shut off to prevent over-heating, self diagnostics, and a pan maximizer feature that ensures maximum heating of any induction compatible pan. Unit shall have LCD display panel with capacitive touch for precise user feedback. Unit shall operate on \_\_\_\_\_ power with integral cord and plug supplied.

**OPTIONS AT NO CHARGE:**

OPTIONS AT NO CHARGE: NEMA plug type standard for U.S. and Canadian destinations. All other countries must specify voltage, duty cycle and required NEMA plug configuration.

**CookTek**  
 810 West Washington Blvd.  
 Chicago, Illinois 60607 USA  
 www.cooktek.com

Tel: 1.312.563.9600 Fax: 1.312.432.6220  
 Toll Free: 1.888.COOKTEK (266-5835)  
 Toll Free Fax: 1.888.COOKFAX (266-5329)

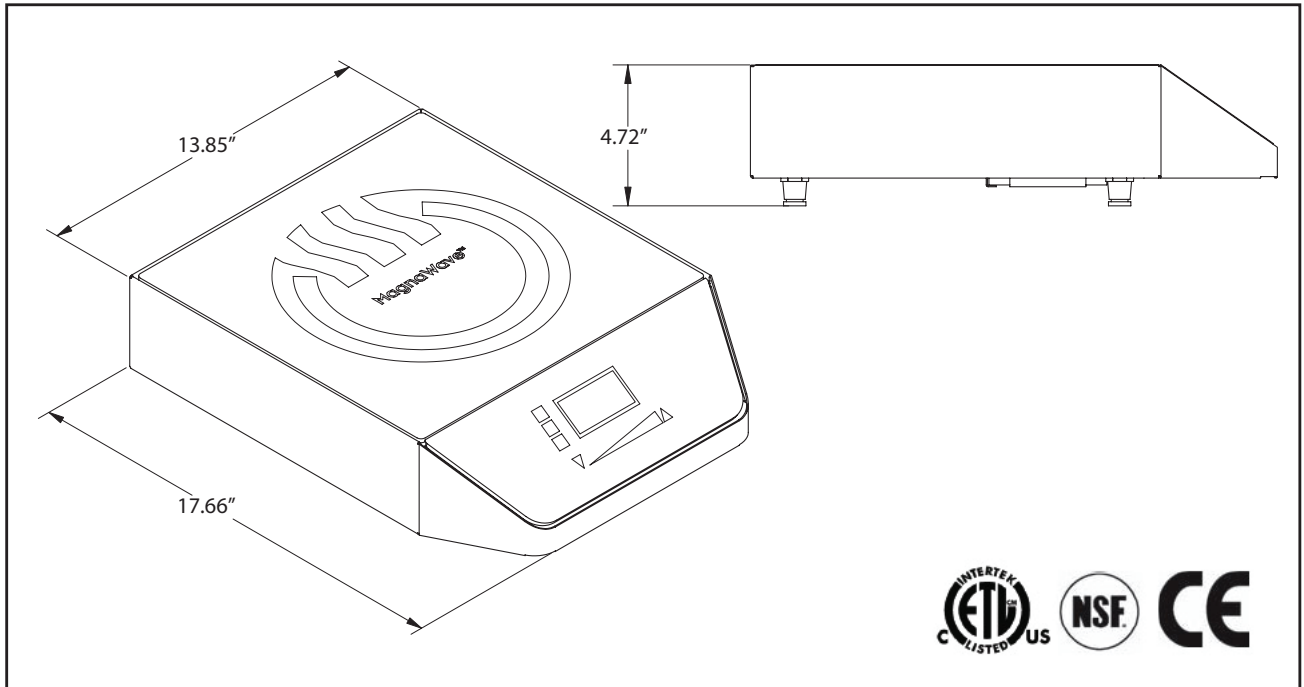


APOGEE FREESTANDING COOKTOPS MC-1800G, MC-2500G, MC-3000G, MC-3500G





**APOGEE FREESTANDING COOKTOPS**  
**MC-1800G, MC-2500G, MC-3000G, MC-3500G**



**SPECIFICATIONS**

Model Number	MC-1800G	MC-2500G	MC-3000G	MC-3500G
Power requirements	100-120V, 1PH	200-240V, 1PH	200-240V, 1PH	200-240V, 1 PH
Power consumption	1800 Watts (at max. setting)	2500 Watts (at max. setting)	3000 Watts (at max. setting)	3500 Watts (at max. setting)
BTU comparison	16,000 BTU	22,000 BTU	26,000 BTU	31,000 BTU
Voltage	100-120V 50/60Hz	200-240V 50/60Hz	200-240V 50/60Hz	200-240V 50/60Hz
Amperage	15 amps (at max. setting)	12 amps (at max. setting)	14 amps (at max. setting)	17 amps (at max. setting)
Power range	100-1800W	100-2500W	100-3000W	100-3500W
Temperature range	85 - 500F	85 - 500F	85 - 500F	85 - 500F
Dimensions (inches)	17.66L x 13.85W x 4.72H	17.66L x 13.85W x 4.72H	17.66L x 13.85W x 4.72H	17.66L x 13.85W x 4.72H
Weight	17.75 lbs	17.75 lbs	17.75 lbs	17.75 lbs
Packaged weight	23 lbs	23 lbs	23 lbs	23 lbs
Packaging (inches)	20.75L x 18.75W x 9.0H	20.75L x 18.75W x 9.0H	20.75L x 18.75W x 9.0H	20.75L x 18.75W x 9.0H
Cord length & plug	6 Ft., NEMA 5-15P	6 Ft., NEMA 6-20P	6 Ft., NEMA 6-20P	6 Ft., NEMA 6-20P
Warranty	One year limited warranty	One year limited warranty	One year limited warranty	One year limited warranty
Cooling clearance	2" for front, sides and rear	2" for front, sides and rear	2" for front, sides and rear	2" for front, sides and rear

**Note:** Many local codes exist, and it is the Owner and Installer's responsibility to comply with those codes. It's CookTek's policy to continually improve its products, and we reserve the right to change or improve our specifications without notification.

**CookTek**  
 810 West Washington Blvd.  
 Chicago, Illinois 60607 USA  
 www.cooktek.com

Tel: 1.312.563.9600 Fax: 1.312.432.6220  
 Toll Free: 1.888.COOKTEK (266-5835)  
 Toll Free Fax: 1.888.COOKFAX (266-5329)



APOGEE FREESTANDING COOKTOPS MC-1800G, MC-2500G, MC-3000G, MC-3500G

