



COUNTER MODEL SUPER CHARBROILERS

WOLF RANGE COMPANY

MODEL: SCB SERIES Counter Model Super Char-Broilers



Model SCB36

BASIC MODELS:

SCB25C	25 $\frac{1}{4}$ " wide.	SCB60C	60" wide.
SCB30C	30 $\frac{5}{8}$ " wide.	SCB72C	72" wide.
SCB36C	36" wide.		
SCB47C	46 $\frac{3}{4}$ " wide.		

KEY FEATURES:

- Stainless steel sides, control panel, top rim, backsplash and grease trough.
- Full width front grease drawer.
- Heavy cast iron reversible char-radiants and "Flame Arrestor" broiling grates.
- 5 $\frac{1}{4}$ " wide grates are reversible for "level" broiling or self cleaning. Cast-in pitched grease trough in each grate blade provides fat run-off and controls flare-ups.
- One 14,500 BTU/hr. burner for each broiling grate.
- Standing pilot ignition system.
- One infinite heat control valve for each burner.
- Underburner baffling system reflects heat upwards creating a "Cool Zone" in the grease drawer and drip pan areas.
- 4" adjustable legs.
- $\frac{3}{4}$ " rear gas connection and gas pressure regulator.
- One year limited parts and labor warranty.

OPTIONAL FEATURES:

- Stainless steel stand with marine lip, under-shelf and casters.
- Stainless steel backsplash
- Plate rail.
- Second year extended limited parts and labor warranty.
- Cast iron grates: slanted, straight, diamond and waffle pattern. Stainless steel grates: round and diamond pattern.

DESCRIPTION:

High volume gas charbroiler, Wolf Model No. _____. Stainless steel sides, control panel, top rim, backsplash and grease trough. Full width front grease drawer. Heavy cast iron char-radiants and "Flame Arrestor" broiling grates. 5 $\frac{1}{4}$ " wide grates are reversible for "level" broiling or self cleaning. Cast-in pitched grease trough in each grate blade provides fat run-off and controls flare-ups. One 14,500 BTU/hr. burner for each broiler grate. Standing pilot ignition system. One infinite heat control valve for each burner. Underburner baffling system reflects heat upwards creating a "Cool Zone" in the grease drawer and drip pan areas. 4" adjustable legs. $\frac{3}{4}$ " rear gas connection with gas pressure regulator.

Exterior dimensions: _____"w x 27 $\frac{1}{4}$ "d x 13" working height on 4" adjustable legs.



CSA design certified. NSF listed.

Approved by _____

Date: _____

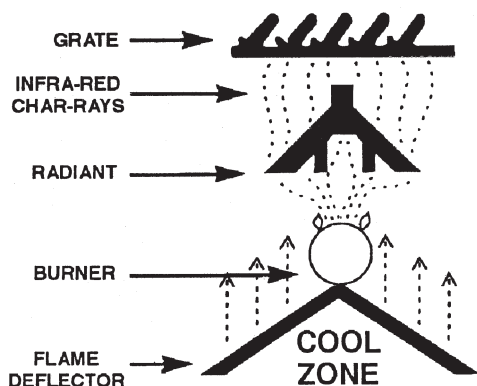
**SPECIFY TYPE OF GAS WHEN ORDERING.
SPECIFY ALTITUDE WHEN ABOVE 2,000 FT.**

WOLF RANGE COMPANY

Wolf Range Company
Division of ITW Food Equipment Group LLC
(800) 366-9653
www.wolfrange.com



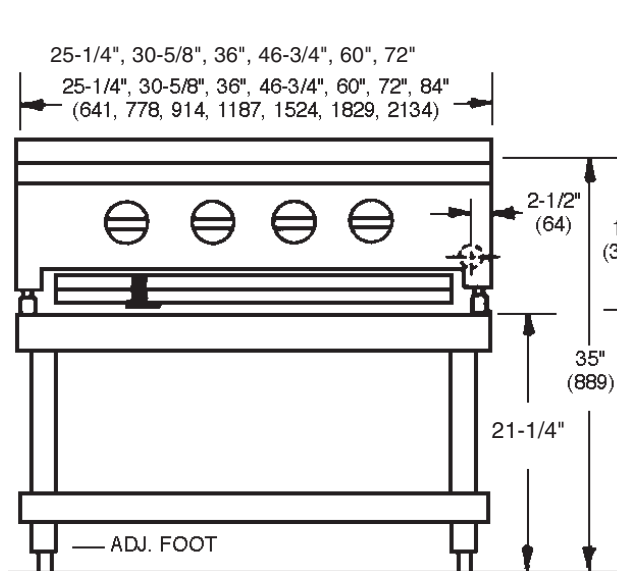
Model SCB Series Counter Model Super Charbroilers



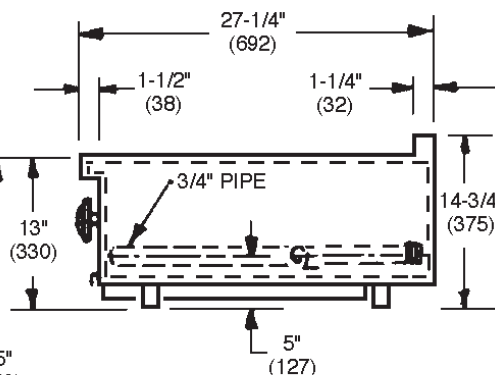
INSTALLATION REQUIREMENTS:

1. A gas pressure regulator sized for this unit is included. Natural Gas 5.0" W.C. Propane Gas 10.0" W.C.
2. An adequate ventilation system is required for commercial cooking equipment. Information may be obtained by writing to the National Fire Protection Association, 1 Batterymarch Park, Quincy, MA 02169, www.NFPA.org. When writing, refer to NFPA No. 96.
3. These units are manufactured for installation in accordance with National Fuel Gas Code, ANSI-Z223.1/NFPA #54 (latest edition). This shall include but not be limited to: NFPA #54 Section 10.3.5.2 for Venting. Copies may be obtained from The American Gas Association Accredited Standards Committee Z223, @ 400 N. Capital St. NW, Washington, DC 20001 or the Secretary Standards Council, NFPA, 1 Batterymarch Park Quincy, MA 02169-7471.
4. This appliance must be installed with a 6" clearance at both sides and the rear adjacent to combustible construction.

COUNTER MODEL ON STAND



COUNTER MODEL



MODEL	WIDTH	DEPTH	OVERALL HEIGHT	WORKING HEIGHT	BROILING AREA	NO. OF BURNERS	TOTAL BTU/HR.	APPX. SHP. WT. (LBS/KG)
SCB25C	25 ¹ / ₄ "	27 ¹ / ₄ "	14 ³ / ₄ "	13"	21 ¹ / ₂ " x 20 ¹ / ₂ "	4	58,000	290/131
SCB30C	30 ⁵ / ₈ "	27 ¹ / ₄ "	14 ³ / ₄ "	13"	27" x 20 ¹ / ₂ "	5	72,500	330/149
SCB36C	36"	27 ¹ / ₄ "	14 ³ / ₄ "	13"	32" x 20 ¹ / ₂ "	6	87,000	370/167
SCB47C	46 ³ / ₄ "	27 ¹ / ₄ "	14 ³ / ₄ "	13"	43" x 20 ¹ / ₂ "	8	116,000	450/203
SCB60C	60"	27 ¹ / ₄ "	14 ³ / ₄ "	13"	56 ³ / ₈ " x 20 ¹ / ₂ "	11	159,500	500/225
SCB72C	72"	27 ¹ / ₄ "	14 ³ / ₄ "	13"	66 ³ / ₈ " x 20 ¹ / ₂ "	13	188,500	550/248

**NOTE: In line with its policy to continually improve its product, Wolf Range Company reserves the right to change materials and specifications without notice.
This appliance is manufactured for commercial use only and is not intended for home use.**