



BREW MATIC

Built - In Coffee Appliance



The State - Of - The Art In Home Coffee Brewing.

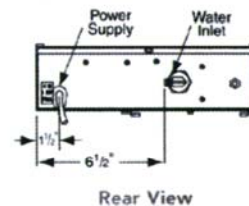
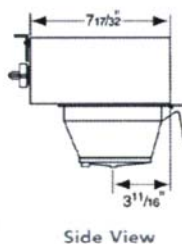
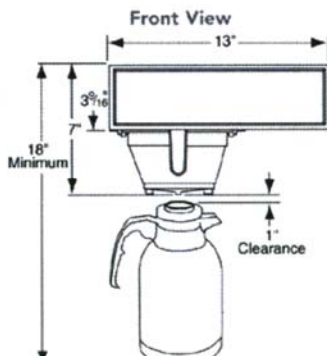
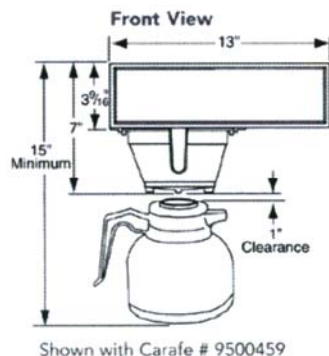
More than 75 years of experience designing and manufacturing professional coffee brewing equipment is built into Brewmatic's premium Built-In Coffee Appliance

BREWMATIC EC

More than 75 years of experience designing and manufacturing professional coffee brewing equipment is built into Brewmatic's EC (Electronic Control) premium Built-In-Coffee Appliance.

Used throughout the world in restaurants, cafes, hotels and on commuter trains, Brewmatic's commercial coffee brewing equipment is built to last. The Brewmatic EC is designed to bring this same professional quality and reliability to your home.

- **Space Saving Built In Design** - frees up valuable counter space.
- **Unique Brewing System** - assures coffee is brewed at optimum temperatures of 192°-196° to release the full flavor of the coffee
- **Attractive Stainless Steel Construction** - enhances any decor-kitchen, master suite, office, boat, or R.V.
- **Instant Source of Hot Water** - for tea or hot chocolate
- **Plumbed into Water Supply** - never need to add water and is R.O. compatible (reverse osmosis)
- **Easy to use** - simply set your carafe in place then select and push the touch pad for the pre-programmed volume desired
- **Programmable Pre-set Brew Times** - have fresh hot coffee waiting for you in the morning, or after a meal
- **Brew Directly into a Thermal Carafe** - coffee stays hot and fresh for hours without using hot plates or warmers
- **Convenient** - once the brew is complete, your carafe can be taken anywhere you want to enjoy fresh, hot coffee



Built - In Coffee Appliance



Specifications

Model# 1033519

Description: Built In coffee Appliance With Electronic Control (Programmable Clock/Timer and lighed display)

Dimensions: 13" W x 3-9/16" H x 7-17/32" D

Electrical: 120 Volts, 1600 Watts, 14 Amps, 60Hertz

Power Supply Cord: 4Ft. 3 Wire + Ground

Plug: NEMA 5-15P. Furnished and attached

Plumbing: Water Supply Required 1/4 inch flared fitting with shut off

Power Supply Required: 120 Volts, 15 Amp, dedicated circuit.

Wall Receptacle Required: 15Amp. NEMA 5-15R. Not furnished

Listing:



Accessories

Short Carafe (Model# 9500459)

- 7 Inches in Height
- 1.9 Liter (64oz.)
- All Stainless Steel Decanter
- Vacuum Insulated with Brew-Thru Lid
- Warmer Not Required



Tall Carafe (Model# 9500472)

- 10 Inches in Height
- 1.9 Liter (64oz.)
- All Stainless Steel Decanter
- Vacuum Insulated with Brew-Thru Lid
- Warmer Not Required

P.O. Box 2959 Torrance, CA 90509-2959 • Phone: 310-787-5444 • Toll Free: 800-421-6860 • Fax: 310-787-5412

U.S. Email brew@brewmaticusa.com • International Email brew equip@brewmaticusa.com • Website www.brewmatic.com