

Anets SDR-4 SINGLE PASS DOUGH ROLLER

Model SDR-4/4FL

Item No. _____



**SDR-4
SIDE OPERATED
DOUGH ROLLER**

MEETS OSHA REQUIREMENTS

NSF



**SDR-4FL
FRONT LOADING
DOUGH ROLLER**



new synthetic rollers less dough build up . . . easier to clean

ANETS found a way to offer you *more for less*. The versatile SDR-4FL and SDR-4 provide fast, safe rolling of dough balls *in seconds* for cinnamon rolls, pizza, pies, dough pieces for rectangular shapes, etc. Large 20" synthetic rollers handle super size pizzas or 18" x 26" sheet pan sizes, while minimizing operator fatigue at an economical price. Indexed precision machined synthetic rollers have fast, positive repeat adjustment . . . sets in seconds! Whether it's the "all-in-front" SDR-4FL DOUGH ROLLER or the SDR-4 SIDE OPERATED DOUGH ROLLER, both provide complete operator protection. Safety interlock automatically shuts machine off when any panel is removed for cleaning or service. New synthetic roller material and special sanitary design makes it easy to clean with mild soap and water. The new roller material minimizes dough adhesion and buildup and the spring loaded scrapers are readily removable . . . which means less clean up time! All mechanical parts, chains, etc. are located away from flour and dough areas. Low profile design, white powder coated finish, heavy-duty welded steel construction.

New Options

Faster rolling speed available

Choice of metal or synthetic rollers



Round shapes! Handles dough balls easily, utilizing quick set synthetic roller adjustment in between passes. Ideal for pizzas and pan pizzas, pie shells, etc.



Dough sheets! Roll rectangular shapes. Great for small bakeries, schools, pizzerias, etc.

ANETS

Anetsberger Brothers, Inc. ■ Foodservice Equipment That Turns Food Into Gold
180 North Anets Drive ■ Northbrook, Illinois 60062
1-800-837-2638 ■ Fax 847-272-1943

ANETS

SDR-4FL FRONT LOADING DOUGH ROLLER



- 20" ROLLERS
- QUICK SET ROLLER ADJUSTMENT
- 1/2 H.P. MOTOR

Automatic dough chute prevents hand access to rollers

"all-in-front" operation

STEP 1
Set handle for first pass
and drop dough ball into
safety chute.



STEP 2
At completion of first
pass, dough piece exits
in an elongated shape
towards the operator.



STEP 3
Flip the quick set handle
to second pass setting.



STEP 4
Turn elongated dough
piece 90° and drop
"width-wise" back into
safety dough chute.



STEP 5
Dough piece returns
round and at desired
thickness... ready for
dressing.



Unit can be operated
from the side, utilizing in-
feed table behind chute.



ANETS

SDR-4 SIDE OPERATED DOUGH ROLLER

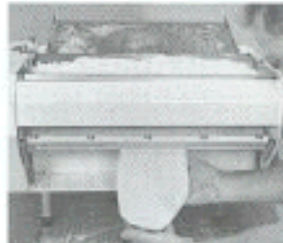


- 20" ROLLERS
- QUICK SET ROLLER ADJUSTMENT
- 1/2 H.P. MOTOR

side operation



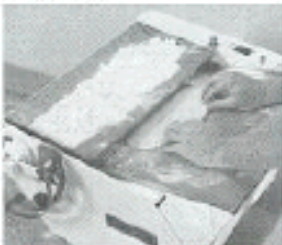
Set handle for first pass, load dough ball at top of infeed tray for first pass.



At completion of first pass, dough piece exits in an elongated shape at left of machine.



Flip the quick set handle to the desired final second pass setting.



Turn dough piece 90° and load "width-wise" at top infeed tray for final second pass.



Dough piece exits at left of machine, round and at desired thickness... ready for dressing.



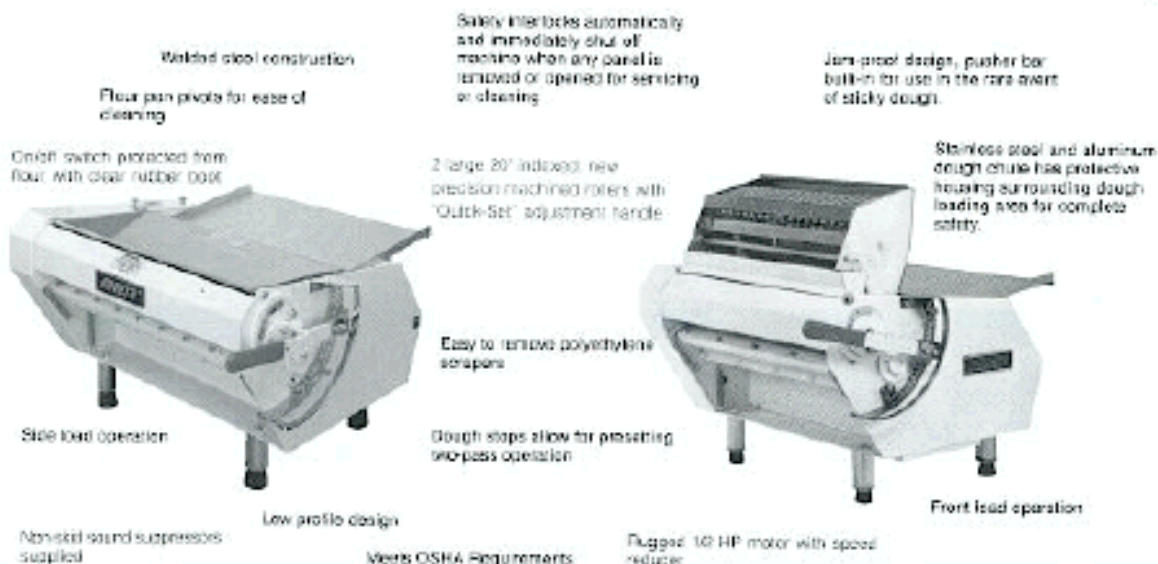
For rectangular shapes, set roller control at desired open position. Load and repeat: adjusting calibrations to thinner settings with quick set handle. (Pictured: 18" x 26" dough sheet.)



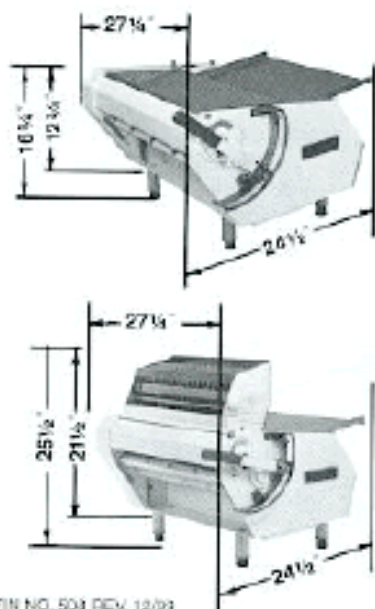
Hinged flour tray conveniently lifts up and folds back out of the way, exposing the rollers for cleaning, also exposing motor, belt, etc. Spring loaded scrapers remove quick and easy. Synthetic rollers minimize dough cohesion, require less flour dusting, and reduce dough build up. Also available with metal rollers, when the durability of metal is preferred.

Anets SDR-4 SINGLE PASS DOUGH ROLLER

Model SDR-4/4FL



CONSTRUCTION FEATURES AND SPECIFICATIONS



BULLETIN NO. 503 REV. 12/93

	SDR-4	SDR-4FL
Roller Size:	3 1/2" Dia. x 20" Lg.	3 1/2" Dia. x 20" Lg.
Roller Material:	Synthetic or Metal	Synthetic or Metal
Motor H.P.:	1/2 Standard	1/2 Standard
Finish:	White Powder Coating	White Powder Coating
Dough Chute:	—	Stainless Steel and Aluminum
Infold Pan and Guard:	Stainless Steel	Stainless Steel and Aluminum
Flour Pan:	Stainless Steel	—
Stop/Start Switch:	Heavy Duty Type	Heavy Duty Type
Ball Bearings:	Sealed	Sealed
Voltage:	115V - 60 HZ Single Phase	115V - 60 HZ Single Phase
Amp:	7	7
Roller Speed:	57 FPM	57 FPM
Legs:	4" Sanitary Adjust.	4" Sanitary Adjust.
6 Foot 3 Wire Cord and Plug	Standard	Standard

Because of our continuous program of product improvement Anetsberger Brothers, Inc. reserves the right to change models and specifications without notice.

ANETS

Anetsberger Brothers, Inc. ■ Foodservice Equipment That Turns Food Into Gold
180 North Anets Drive ■ Northbrook, Illinois 60062
1-800-637-2638 ■ Fax 847-272-1943