



Ventless Exhaust Hood System

Model AVH23

Ventless Exhaust Hood System Specifications:

Dimensions:

Height (Overall): 87" (2.2m)
 Depth: 36" (91.5cm)
 Width (Overall): 26.5" (67.3cm)

Electrical Specifications:

208 / 240 Volt AC, Single or Three Phase
 Fuse at Fryer's current rating

Construction:

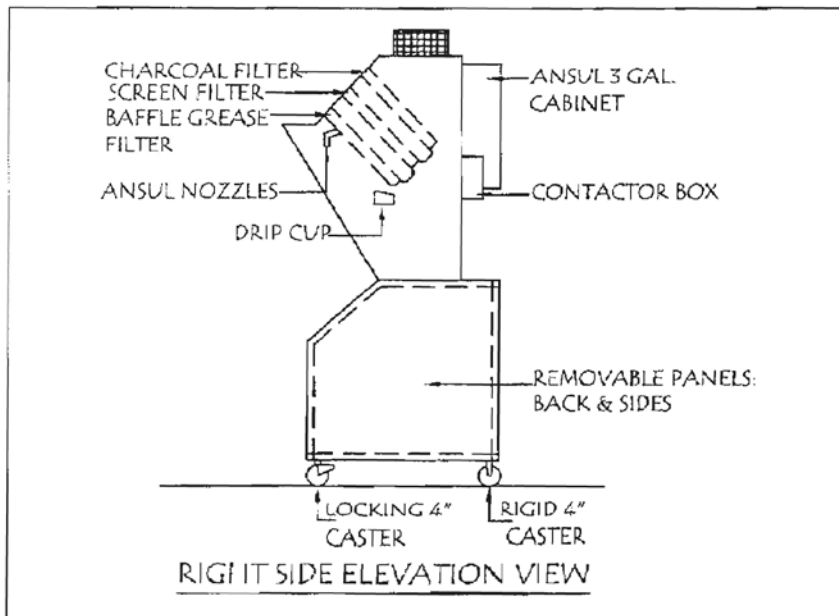
18 gauge Stainless Steel

Ventless Hood:

Exhaust CFM: 750

The Ventless Exhaust Hood System is approved for electric equipment and fryers with oil capacities of up to 85 pounds; not to exceed 470 square inches of cooking area.

Note: The standard system will accommodate fryer widths up to 24" and depths up to 30"



DIMENSIONS	
HEIGHT (OVERALL)	87"
DEPTH	36"
WIDTH (OVERALL)	26.5"
CONSTRUCTION	
MATERIAL	18 GA. STAINLESS STEEL
ELECTRICAL SPECS.	
VOLTAGE	208 / 240 V. AC
	SINGLE OR 3 PHASE
EXHAUST	750 CFM

