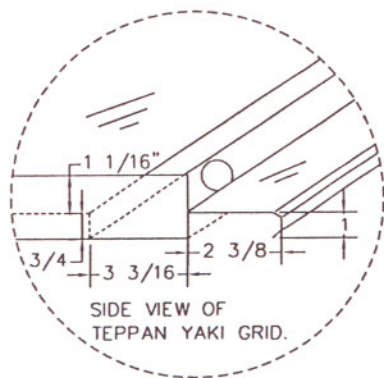
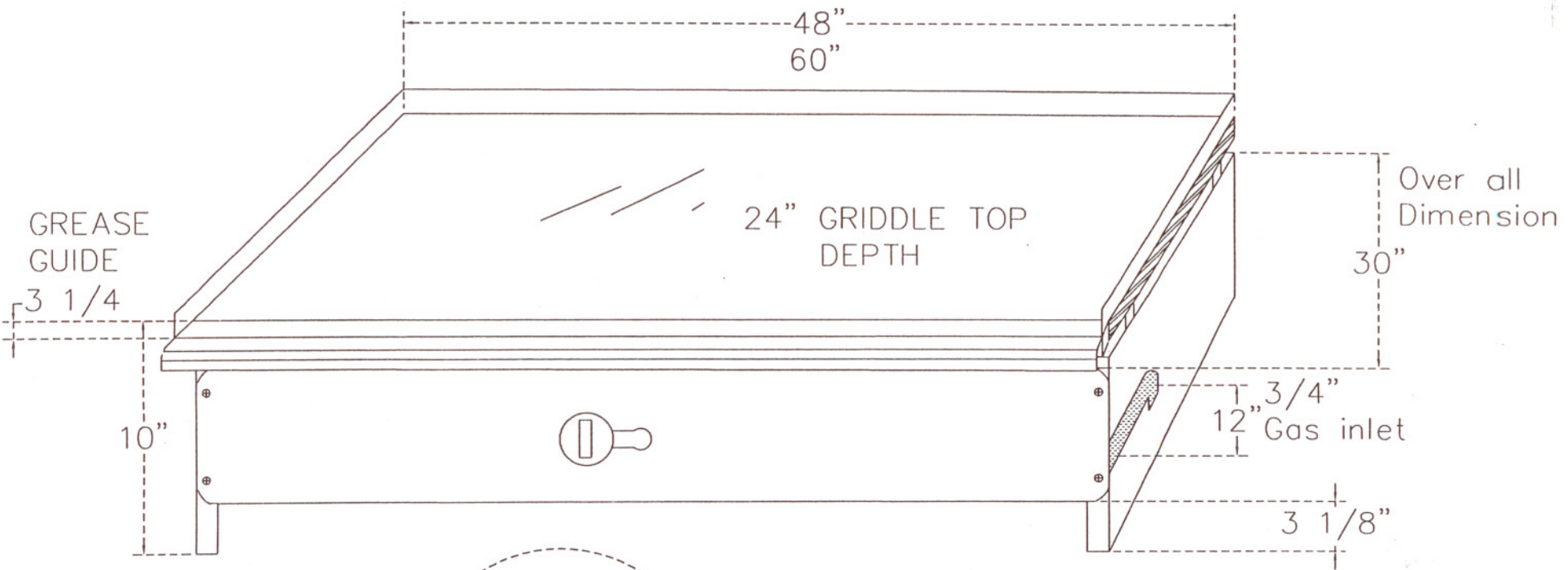


MODEL:

REV	DESCRIPTION	INITIALS	DATE	ECO NO.
1	SPEC SHEET	AM	10/28/02	



**AMERICAN RANGE CORP.**  
13592 DESMOND ST., PACOIMA, CA 91331

<b>TOLERANCES:</b> UNLESS NOTED .X ± .1 .XX ± .031 ANGLE ± .5° FRACTION ± 1/32	DRAWN BY: AM	DATE 10/28/02	SHEAR: MAT'L:	DWG SIZE A
	CHK BY:	DATE	SHEET 1 of 1	REV.
TITLE ARTY-48 SPEC			PART NO: ARTY-48	