



By CNP INDUSTRIES, INC.

P.O. Box 18645 Anaheim, Ca 92817 (877) 387-6721

INSTALLATION INSTRUCTIONS

GAS COOKTOP MODELS: CTG365D, CTG305D, CTG304D

IMPORTANT: Before beginning installation please read these instructions completely and carefully.
INSTALLER: Please save these instructions for local inspector's use and then leave them with the owner.
OWNER: Please retain these instructions for future reference.

TO REDUCE THE RISK OF FIRE, ELECTRIC SHOCK, OR INJURY TO PERSONS, OBSERVE THE FOLLOWING

WARNING: If the information in this manual is not followed exactly, a fire or explosion, may result causing property damage, personal injury or death.

- Do not store or use gasoline or other flammable vapors or liquids in the vicinity of this, or any other appliance.
- WHAT TO DO IF YOU SMELL GAS
 - Do not try to light the appliance.
 - Do not touch any electrical switch.
 - Do not use any phone in your building.
 - Immediately call your gas supplier from a neighbor's phone. Follow the gas supplier's instructions.
 - If you cannot reach your gas supplier, call the fire department.
- Installation and service must be performed by a qualified installer, service agency or the gas supplier.

CAUTION: Improper installation, adjustment, alteration, service, or maintenance can cause personal injury or property damage. Refer to these instructions and the accompanying Use & Care Manual. For assistance or additional information, consult a qualified installer, service agency, manufacturer, dealer, or the gas supplier.

1. For your safety:

- **Do not obstruct the flow of combustion and ventilation air to the unit.**
- **Keep appliance area clear and free from combustible material.**

2. Never use this product for warming or heating a room.

3. An approved gas regulator is supplied and must be used with this appliance.

POWER SUPPLY – Requires a 120 VAC, 60 HZ, 15 Amp single-phase circuit for all models. A three-prong grounded receptacle is required. Plan the installation for the unit so that the location of the three-prong receptacle is within three (3) feet of the right rear bottom corner of the cooktop and accessible from the front of the cooktop. See FIG – 6.

Warning - **The grounding prong must not be cut or removed from the power cord.**

- **A three prong grounded receptacle must be used.**
- **The power source must be properly polarized. Reverse polarity will cause continuous sparking of the electrodes.**
- **Do not use a Ground Fault Circuit Interrupter (GFCI). The electrode spark ignition module will cause GFCI's to trip.**

This appliance, when installed, must be electrically grounded in accordance with local codes, or in the absence of local codes, in accordance with National Electric Code ANSI/NFPA 70. The correct voltage, frequency and amperage must be supplied to the appliance from an individual, dedicated grounded circuit, which is protected, by a properly sized circuit breaker or time delay fuse. The required voltage, frequency and amperage ratings are listed on the product data plate and also shown above.

This appliance is factory equipped with a 4-foot long power supply cord having a 3-prong grounded plug. This plug must be inserted into a mating grounded receptacle in accordance with National Electrical Code and applicable state, municipal and local codes.

In Canada, installation must be in accordance with CSA C22.1 Canadian Electrical Code Part-1 and/or local codes.

GAS SUPPLY PRESSURE – NATURAL GAS: 6 to 14 inches water column (Manifold at 4-inches)

PROPANE GAS: 11 to 14 inches water column (Manifold at 10-inches)

CAUTION: For LP gas installations, the LP gas tank must have its own high-pressure regulator. This is in addition to the pressure regulator supplied with the cooktop.

Check your local building codes for the proper method of installation. In the absence of local codes, this appliance should be installed in accordance with the National Fuel Gas Code ANSI Z223.1. Be certain that the appliance being installed is correct for the gas service provided. Refer to the data plate located on the bottom of the cooktop and pressure requirements above.

In Canada, installation must be in accordance with current CAN/CGA B149.1 and 2 gas installation codes and/or local codes.

NOTE: The cooktop settings for natural gas are established at the factory. No field adjustments are required. Natural gas cooktops can be converted for Liquid Propane (LP) use by qualified servicicers only. A factory supplied “LP” conversion kit is available. To obtain kit contact your local dealer.

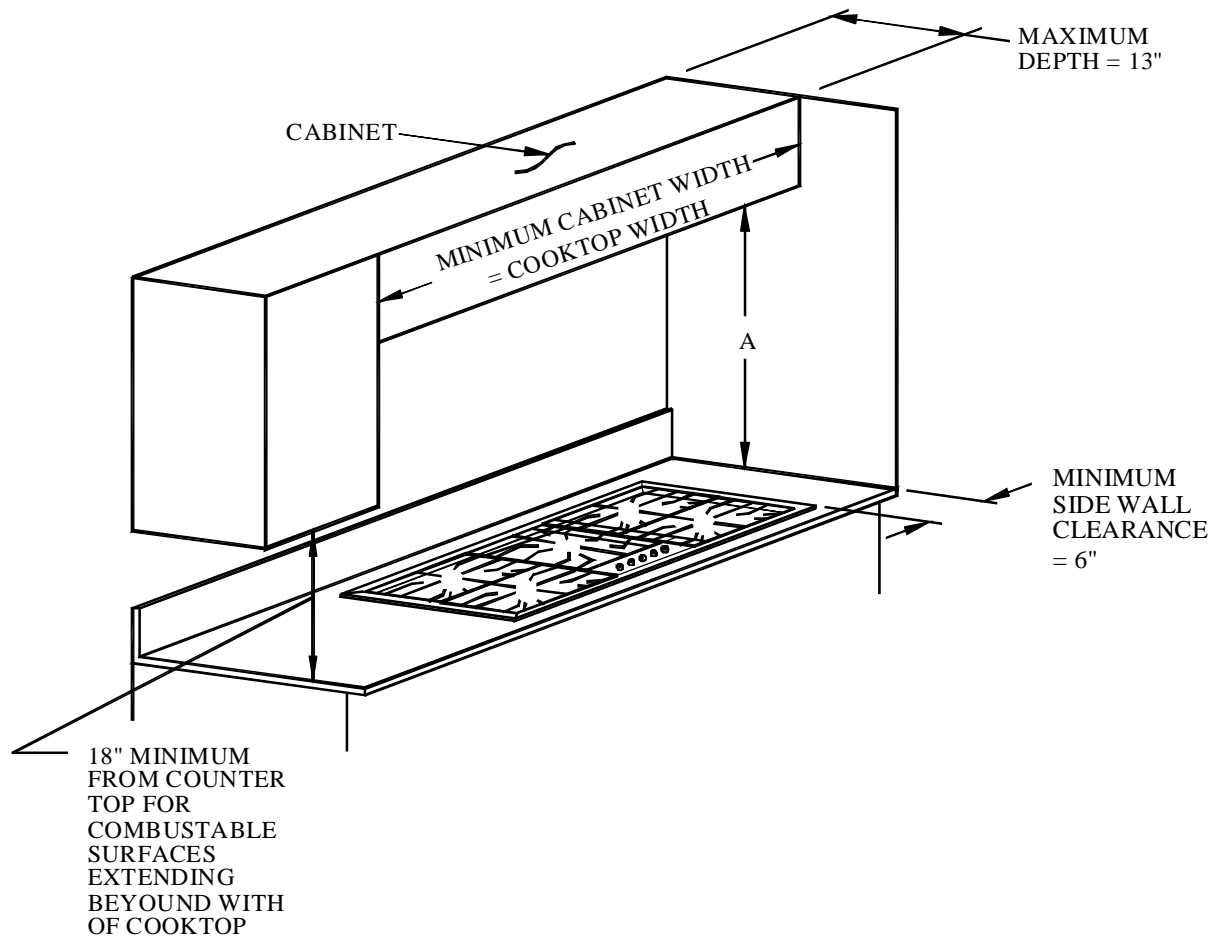
The appliance and its individual shutoff valve must be disconnected from the gas supply piping system during any pressure testing of that system at test pressures in excess of ½ psi (3.5kPa).

The appliance must be isolated from the gas supply piping system by closing its individual manual shutoff valve during any pressure testing of the gas supply piping system at test pressures equal to or less than ½ psi (305 kPa).

CABINET PREPARATION AND CLEARANCE – Be sure your appliance is properly installed and grounded by a qualified technician.

To eliminate the risk of burns or fire by reaching over heated surface units, cabinet storage space located above the surface units should be avoided. If cabinet storage is to be provided, the risk can be reduced by installing a range hood that projects horizontally a minimum of 5 inches beyond the bottom of the cabinets.

NOTE: Plan the installation so that the electrical connection, gas shut-off valve, and pressure regulator are accessible from the front of the cabinet (see FIG-5), and all of the following minimum dimensions are provided.



CLEARANCE TO COMBUSTIBLE SURFACES – A=30 inches minimum clearance between the countertop and the bottom of an unprotected wood or metal cabinet.

COUNTERTOP CUTOUT DIMENSIONS –

Always consult the countertop manufacturer for specific installation instructions or requirements.

Installation in a solid surface countertop material, i.e. Surell™ or Corian©, etc. may require larger cutouts, the use of heat reflective tape, rounded corners, etc. Consult with your countertop manufacturer. Guidelines for the countertop cutout are shown in FIG-1. **NOTE:** If you are using the Cooktop End Plate Kit, see separate instructions supplied with kit before cutting cabinets or countertop.

SOLID SURFACE COUNTERTOPS – **Consult countertop manufacturer for requirements.**

Countertops made from natural (i.e. granite) or Solid Surface Materials (i.e. Surell™) require special cutout preparation and installation procedures. Follow all guidelines in preparing the cutout.

- Round the cutout corners according to instructions from the countertop manufacturer.
- Apply heat reflective tape (i.e. Scotch Aluminum Foil Tape #425 or #427) around the cutout so that it folds over the top and side surfaces of cutout. Be sure tape extends beyond the outermost edge of the cooktop. Cover all corners with tape. See FIG-2.
- Install the cooktop and secure to countertop as instructed in next section.
- Trim the excess aluminum tape along the frame edges. Use care in trimming tape to avoid scratching countertop or stainless frame.

COOKTOP INSTALLATION

WARNING – **BEFORE PLUGGING THE POWER CORD IN THE RECEPTACLE AND TURNING THE GAS ON, BE SURE THAT ALL CONTROLS ARE IN THE “OFF” POSITION.**

Foam Tape – A foam tape is provided to seal the cooktop edges to the countertop. Turn the cooktop upside down and apply the tape to the bottom edges of the stainless steel frame. The tape should be approximately 1/16 inch from the edge of the stainless steel frame sides and back, see FIG-3.

Note: Do not use caulking or compound to seal cooktop to countertop. The cooktop must be removable if service is required.

Fastening Cooktop – Remove the two screws located in each side of the cooktop rough in box (see fig-4). Fasten the two hold down brackets supplied with these screws. Install the cooktop in the counter top cutout by tilting one end of cooktop, drop one end into counter cutout and move to extreme end of cutout. Drop opposite end into cutout. Assemble hold-down screws to bracket (fig-4). Center the cooktop in opening and using a wood block between screw and countertop (fig-4), tighten screws moderately to secure cooktop. Do not tighten screws directly against countertop. See Fig-4.

PLUG THE THREE-PRONG PLUG FROM THE APPLIANCES INTO A PROPERLY GROUNDED AND POLARIZED WALL RECEPTACLE

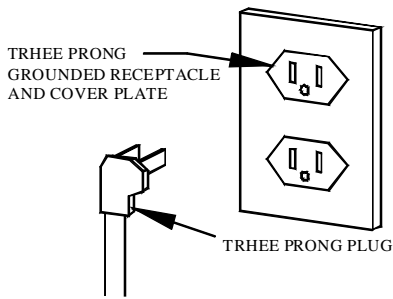
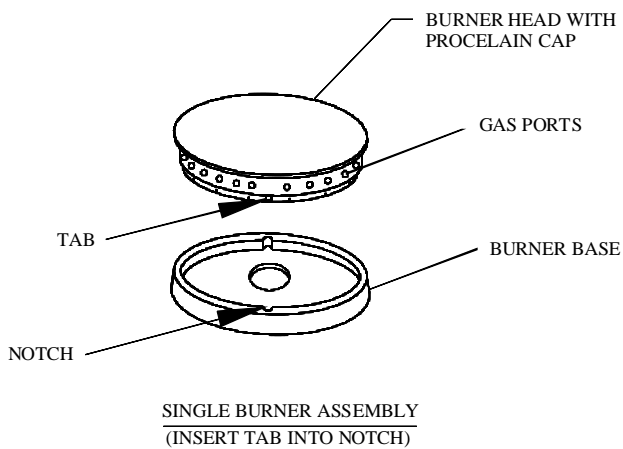
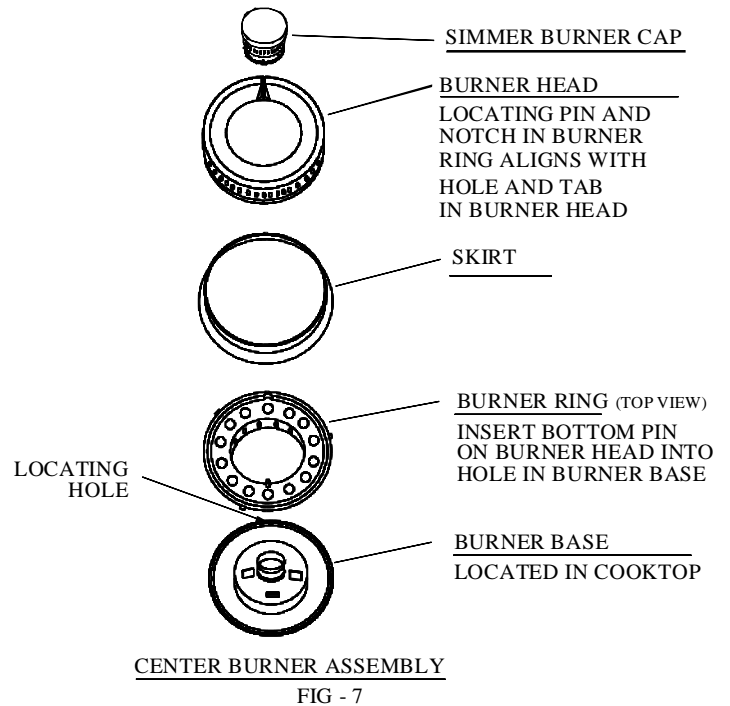


FIG - 6



CAUTION: IMPROPER POSITIONING OF BURNER CAN DAMAGE COOKTOP AND CAUSE INJURY TO PERSONS.

CORRECT POSITIONING RESULTS IN EVEN FLAME DISTRIBUTION AND APPEARANCE.

START UP TEST

- Open gas shut off and check for leaks.
- Clean cooktop with clean damp cloth. **Wipe stainless in direction of line grain only.**
- Install burner heads, being sure that tabs on burner head are aligned and inserted into notch of burner base on cooktop. Assemble center burner, when used, as shown in FIG-7. Install grates – grates are located by positioning locating fingers on burner base holder.
- Check to see that all controls are in the off position.
- Plug power cord in receptacle.
- Turn controls on to check unit operation.
- Turn controls off after checking operation.
- Leave these instruction with owner.

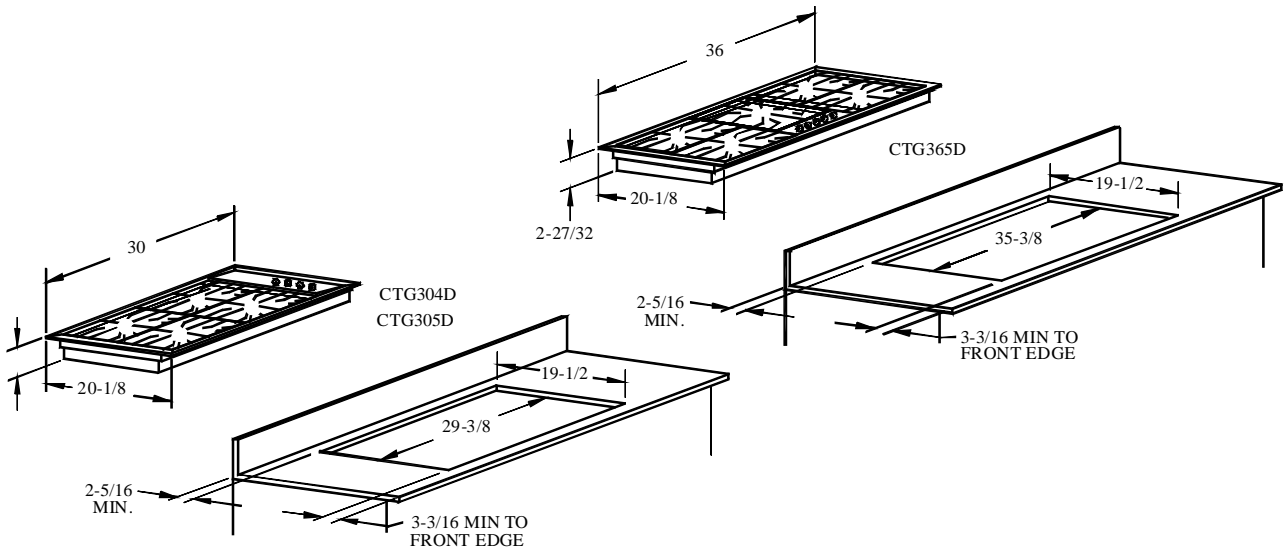


FIG - 1

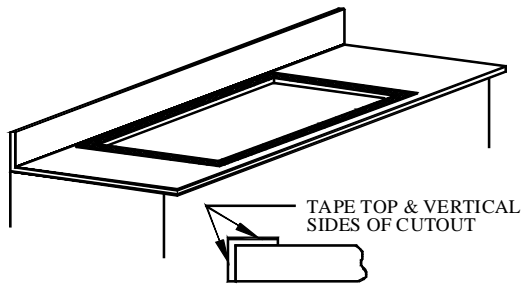


FIG - 2

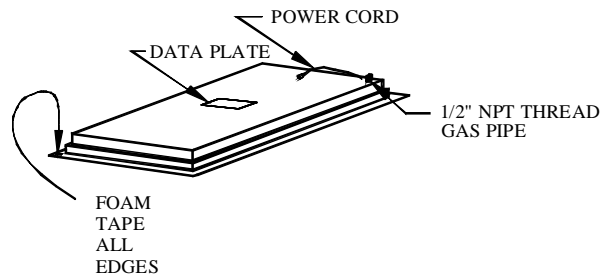


FIG - 3

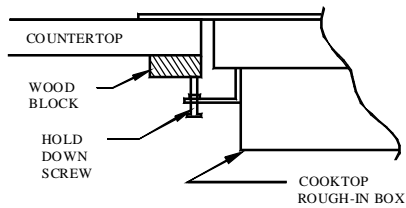


FIG - 4

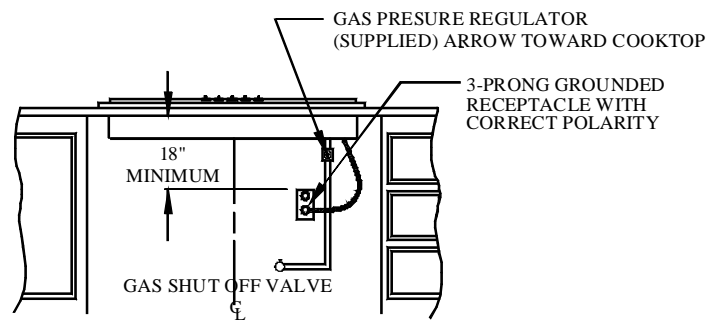
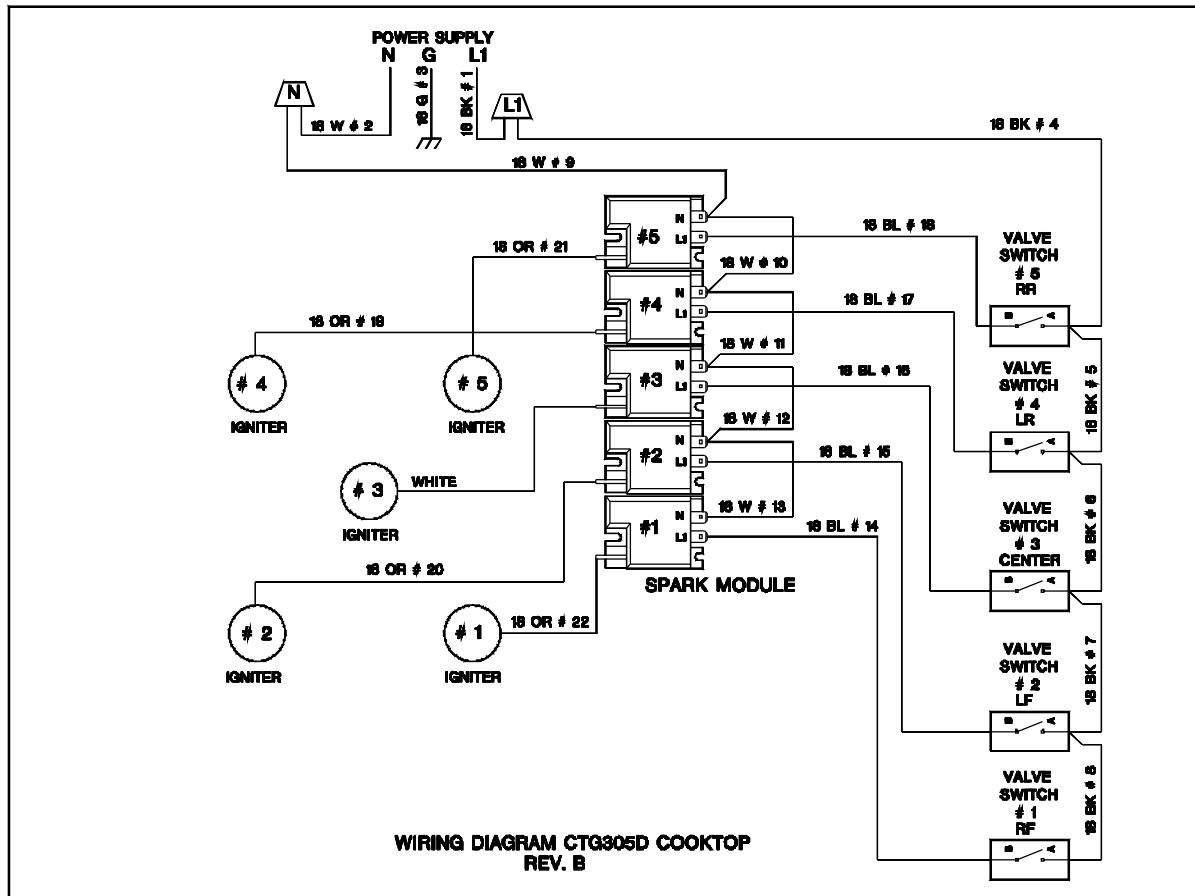
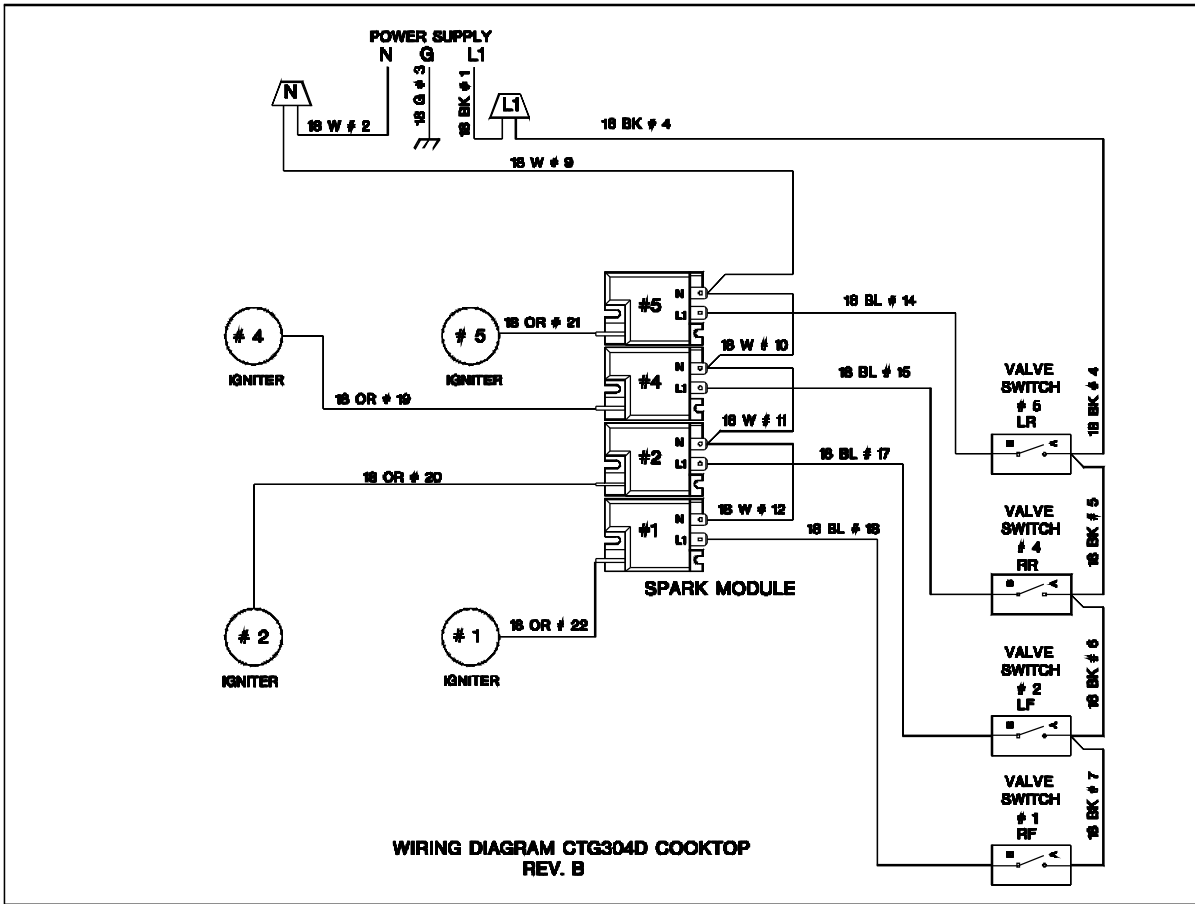
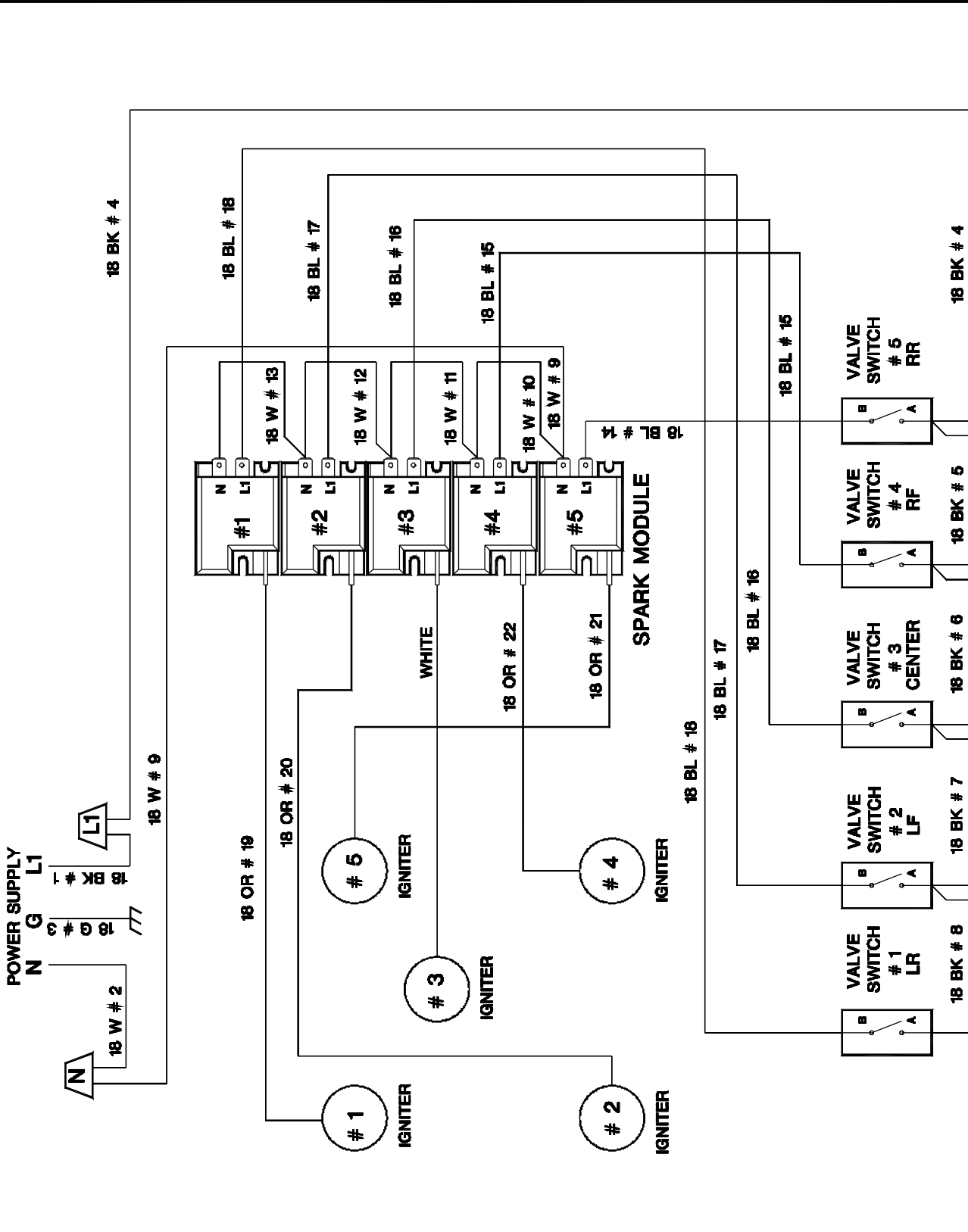


FIG - 5





WIRING DIAGRAM CTG365D COOKTOP
REV. A