



## Drop in Induction Cooktop – Install Quick Specs CTI 36” Wide

### Installation Type

Drop into countertop opening

### Overall & Cutout Dimension(s)

CTI365D	A	B	C
<b>Overall</b>	36”	21”	2 5/8”
	D	E	
<b>Cutout</b>	35 3/8”	19 3/4”	

### Cooktop Carton Weight:

CTI365D = 50 lbs.



### Standard Features

- Low-profile, ceramic glass, with matching rear frame.
- Textured glass surface helps minimize fingerprints and protects the glass finish.
- 36” Model (CTI365D) features five cooking zones. Total cooktop power of 10,800 watts.
- Precise, touch-sensitive electronic controls with 11 power settings (includes 3 pre-set options)
- Full range of power on all zones. NO power sharing or cycling between zones.
- AutoPanSizing™ feature senses pan size, then matches heat transfer to the pan – *no residual heat loss\**
- Most energy efficient cooking method which equates to lower energy costs and cooler kitchens.
- AutoOff™ feature that will turn the cooking surface off within 30 seconds, if pan is removed or it senses a non-conductive pan is present.
- Cool to-the-touch cooking surface – safest cooking method to use around children.
- Shallow rough-in box depth for extra cabinet storage.

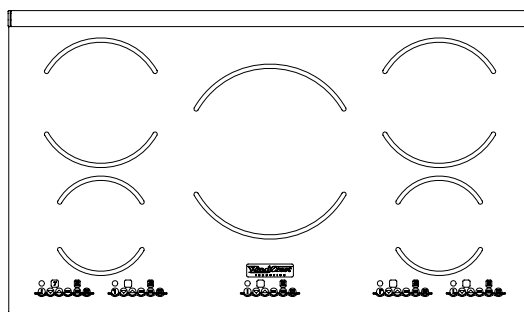
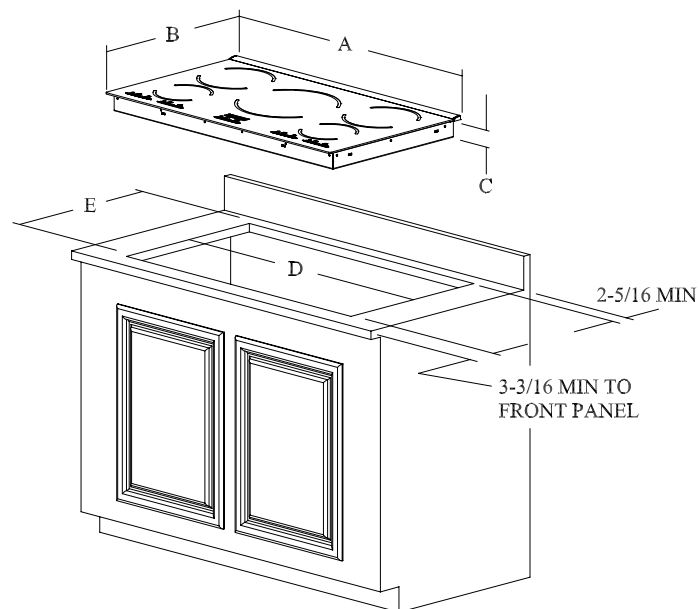
\*Not sure if your pans will work on induction? Place a magnet on the bottom, if it sticks, it will work!

### Finishes

- Elegantly textured black ceramic glass with matching rear frame.

### Maximum Power Supply Required

50 Amps @ 208/240 V AC, 3-wire, 60Hz, single phase connection. 4-foot, three-wire, flexible conduit comes with cooktop. Conduit is located off the center rear of the cooktop.



CTI365D features Two 6” (2200 Watt), two 9” (2600 Watt) and One 6” to 12” expandable (3600 Watt) Induction Zones