



Over 90 Years Of Quality Foodservice Products And Service

Water-Saver Heated Disher Well

Model: HDW-2



Model HDW-2
(front view with optional faucet)

APPLICATION

Wells Heated Disher Well is designed for use in chef's counters, serving counters, beverage stations and anywhere food portion utensils are used. Water temperature is held at a preset temperature above 150°F to prevent the growth of allergens and bacteria.

FEATURES

- *Save Money* on environmental water disposal fees, which often cost more than the incoming water
- *Go Green* - Saves 180 gallon of water a day per disher well based on 12 hours of operation
- *Food Safe*- Protects customers by holding serving utensils above 150°F
- *Energy Saving* - Reduce hot water cost by over 2/3 compared to standard hot water dipper wells (save over \$300 dollars a year on hot water heating expense)
- All stainless steel exterior construction
- Features Quick & Easy drain lever for fast draining and cleaning
- Easy to install using three clamping brackets to attach the well to the counter
- Fits in a standard dipper well cut-out making it perfect for replacement in existing installations
- Available with or without faucet
- Faucet may be mounted on either left or right side of well
- 3/4" male NPT drain fitting
- 64 ounce water capacity
- Cord & plug included



(top view)

OPTIONS/ACCESSORIES

- Countertop mounted faucet

PRODUCT WARRANTY

Limited two year parts & one year labor

Patent Pending



Quick & Easy Drain Lever



Sheet No. WELLS1-1121

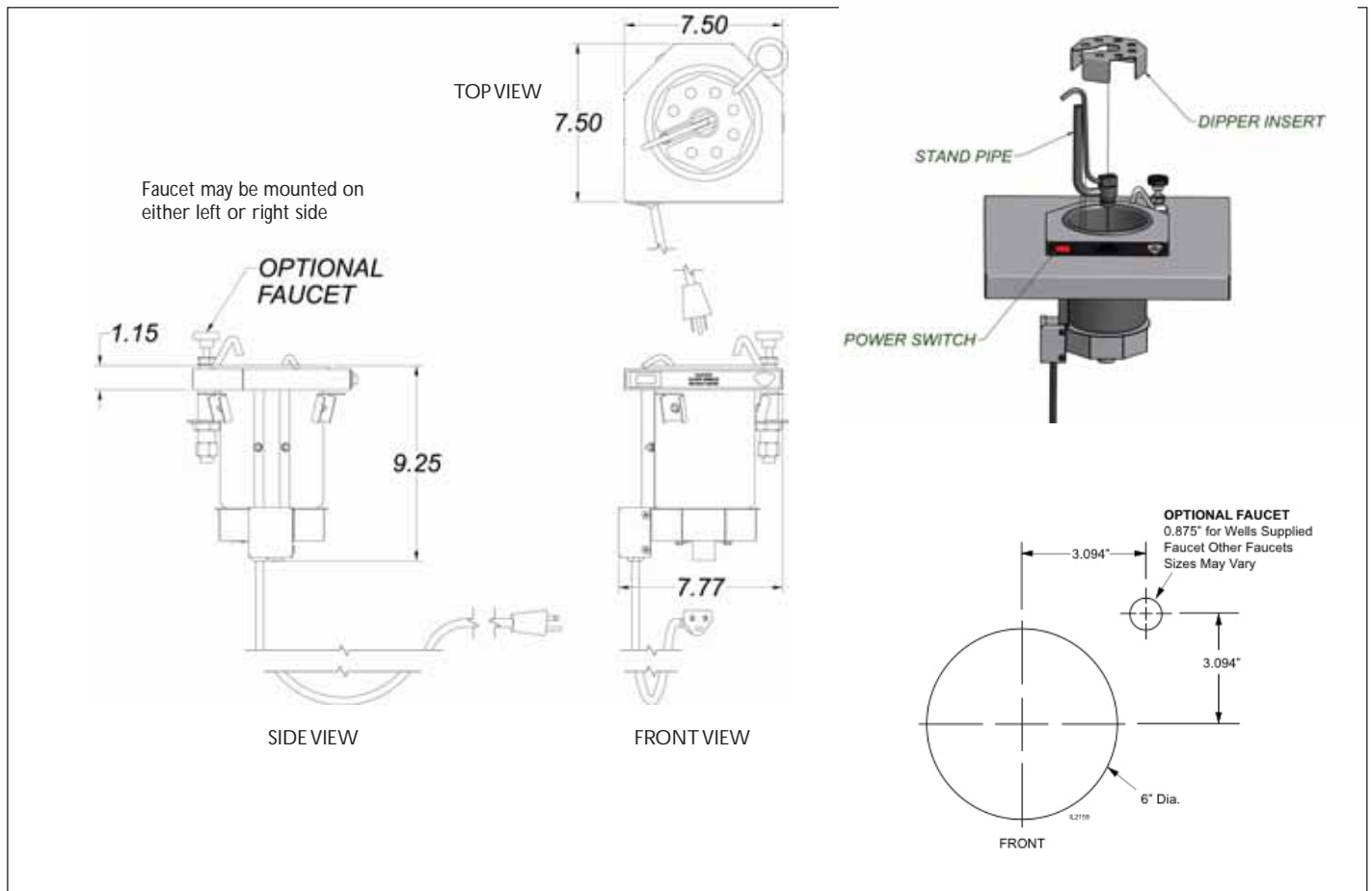


Wells Bloomfield · 10 Sunnen Dr. St. Louis, MO 63143 U.S.A.
Phone : (314) 678-6314 · Fax (314) 781-3636
www.wellsbloomfield.com © 2012 Wells Bloomfield · Printed in the U.S.A.

NOTE: Specifications are subject to change without notice and are not intended for installation purposes. See installation instructions prior to installing the unit.

Water-Saver Heated Disher Well

Model: HDW-2



Patent Pending

Model Number	W x D x H	Voltage	Watts	Amps	NEMA	Weight (Shipping)	Weight (Installed)
HDW-2	7.5" x 7.5" x 9.25" 177.8mm x 177.8mm x 235mm	120V	300	2.8	5-15 plug with 6 ft. cord	N/A	N/A
	W x D x H (with optional faucet)						
	7.5" x 7.77" x 10.4" 177.8mm x 197.4mm x 264.2mm						

CAD SYMBOLS & PRICING



AutoQuotes



Wells Bloomfield · 10 Sunnen Dr. St. Louis, MO 63143 U.S.A.
 Phone : (314) 678-6314 · Fax (314) 781-3636
 www.wellsbloomfield.com © 2012 Wells Bloomfield · Printed in the U.S.A.

NOTE: Specifications are subject to change without notice and are not intended for installation purposes. See installation instructions prior to installing the unit.