



WB-2

Wells WB-1 and WB-2 Waffle Bakers provide versatility and ease of use. Each unit has a floating hinge to allow the upper grid to rise evenly as the waffle expands during cooking.

Features

- Elements are controlled by a factory pre-set precision thermostat.
- Grids are seven-inch diameter, die-cast aluminum with a tapered pattern and lipped edge.
- Floating hinge allows upper grid to rise evenly as the waffle expands during cooking.
- Stainless steel front, top and sides provide maximum strength and durability.
- Front-mounted adjustable mechanical bell time assures consistent waffle color.
- The WB-2 has two lighted rocker ON/OFF switches to allow independent operation of each baking unit.
- Die-stamped stainless steel drip tray removes easily for cleaning.
- Handles are nickel-plated steel with an open-coil design for minimal heat transfer.
- The WB-1 and WB-2 Waffle Bakers are Underwriters Laboratories, Inc. Listed and meets NSF International standards.
- A one-year warranty against defects covers parts and labor.

Specifications

Overall Dimensions:	Inches	MM
WB-1		
Width	10 1/8	257
Depth	13 1/2	342
Height	8 3/4	222
WB-2		
Width	19 13/16	503
Depth	13 1/2	342
Height	8 3/4	222
Pre-Heat Time:	8 minutes	
Typical Production:	Per Hour	
WB-1	24	
WB-2	48	
Weights:	Lbs.	KG
WB-1		
Installed	13	6
Shipping	14	7
WB-2		
Installed	25	11
Shipping	27	12

Accessories/Options

Replacement drip tray, 21489



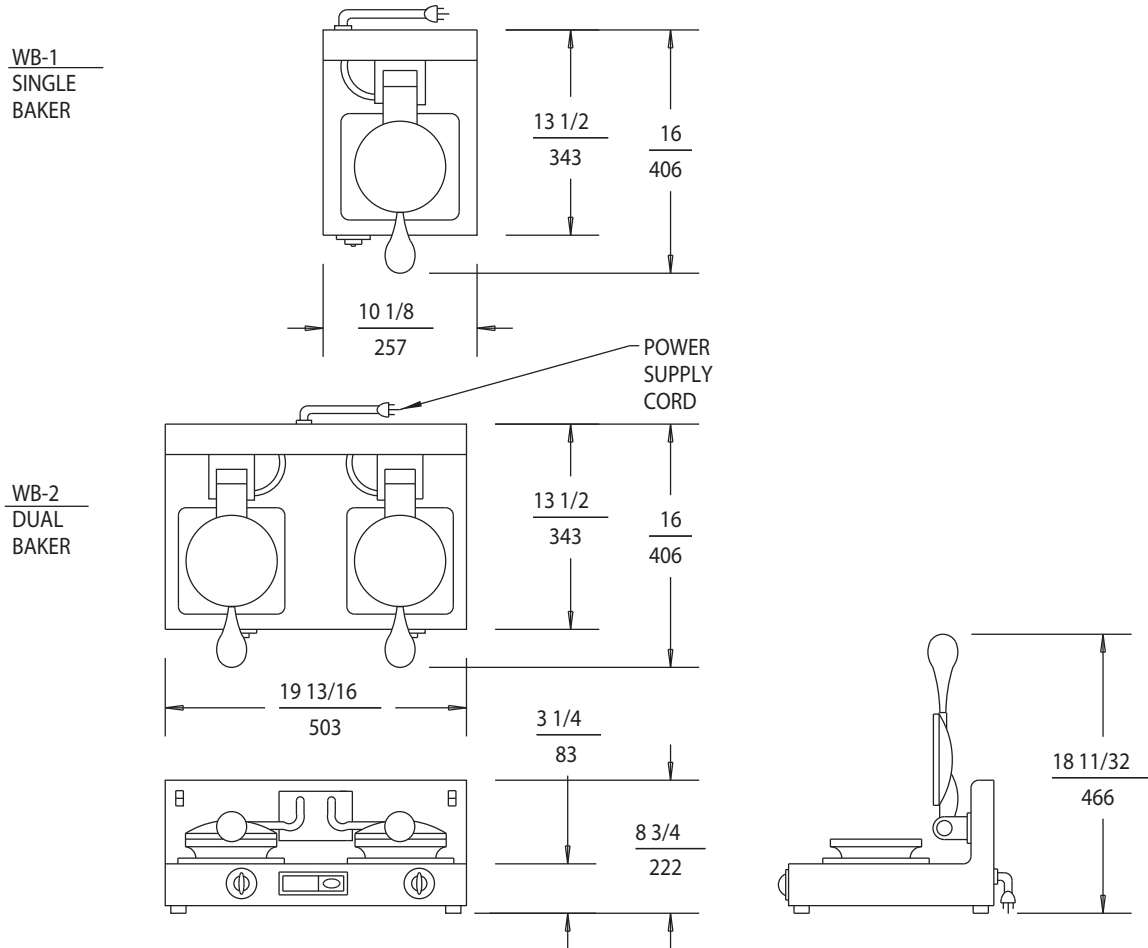
LISTED
E6070



STD.4

MODELS WB-1, WB-2 WAFFLE BAKER

DIMENSIONS: INCH
(MM)



WB-1, WB-2 ELECTRICAL SPECIFICATIONS:

MODEL	VOLTS	WATTS	AMPS	PHASE	POWER SUPPLY CORD
WB-1	120	900	7.5	SINGLE	NEMA 5-15P
WB-1	208	676	3.3	SINGLE	NEMA 6-15P
WB-1	240	900	3.8	SINGLE	NEMA 6-15P
WB-2	120	1800	15.0	SINGLE	NEMA 5-15P
WB-2	208	1352	6.5	SINGLE	NEMA 6-15P
WB-2	240	1800	7.5	SINGLE	NEMA 6-15P

NOTE: Specifications are subject to change without notice.

Wells Bloomfield, LLC
 2 Erik Circle, P.O. Box 280, Verdi, Nevada 89439 U.S.A.
 U.S.A.: (775) 689-5700 · Main Fax (775) 689-5972
 Canada: (877) 507-1700 · (905) 507-1700 · Fax (905) 507-1777
 Export: (775) 689-5700 · Fax (775) 689-5975
 www.wellsbloomfield.com
 © 2007 Wells Bloomfield · Printed in the U.S.A.
 12/07 · No. 37093

