

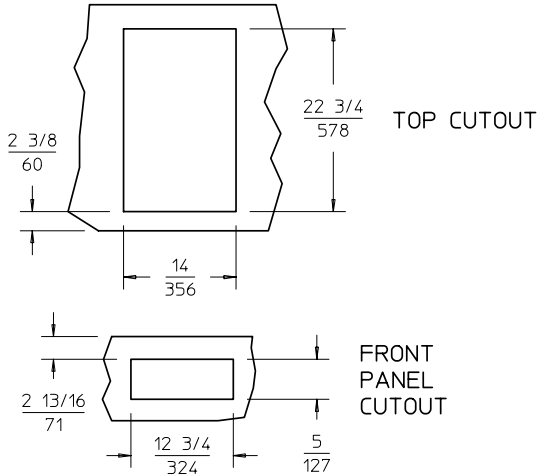
BUILT-IN FRYERS

MODELS F-586, F-586EU

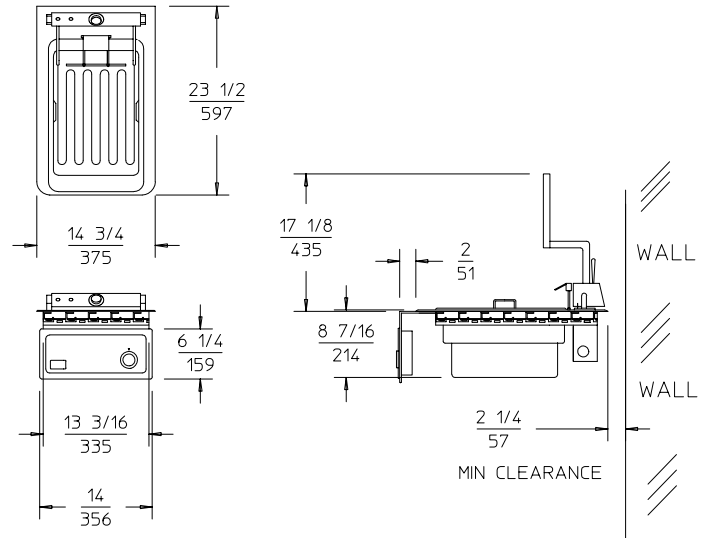
ELECTRICAL

MODELS	VOLTS	WATTS	AMPS PER LINE 3 PHASE				AMPS SINGLE PHASE	FIELD WIRING GAUGE		TEMP. RATING
			L1	L2	L3	N		3 PHASE	1 PHASE	
F-586	208	5750	NA	NA	NA	NA	27.6	NA	8	75°C
F-586	240	5750	NA	NA	NA	NA	24.0	NA	10	75°C
F-586EU	380-415	5750	9.0	8.0	8.0	1.0	NA	1.5 mm ²	NA	75°C

CUTOUT DETAILS



PRODUCT DIMENSIONS



CLEARANCES

SUGGESTED CLEARANCE REQUIRED FROM UNIT TO THE NEAREST SURFACE			
BACK	SIDE	BOTTOM	FRONT
$2 \frac{1}{4}$ / (57)	3 / (76)	6 / (152)	3 / (76)

INSTALLATION INSTRUCTIONS

UNIT MUST BE INSTALLED IN AN ALL METAL COUNTER.
 THE INSTALLATION OF RECOGNIZED COMPONENT UNITS REQUIRES ADDITIONAL EVALUATIONS TO UNDERWRITERS LABORATORIES INC. STANDARDS.

INSTALLER MUST MEET CONDITIONS OF ACCEPTABILITY OUTLINED BELOW UPON INSTALLATION:

1. This appliance shall be installed in an all metal counter with suitable wiring and control enclosures conforming to national and local electrical codes.
2. Electrical component temperatures, including wiring, within and surrounding the appliance must be monitored in the end use installation for suitability.
3. Electrical grounding of all dead metal parts must be reliably connected to the grounding means of the appliance and must comply with the requirements outlined in appropriate Underwriters Laboratories Inc. classification, national and local electrical codes.
4. Increased clearances are required if storage of combustible materials is in close proximity to this appliance.
5. The name/rating plate information shall be accessible.
6. There must be a minimum of 1/4 inch clearance between the unit and adjacent cooking appliances.
7. Access to the extractor-type fuse holder should not be impeded in the end-use installation.

TO FABRICATE:

1. Layout cutout dimensions on countertop and front apron.
2. Cut and/or drill holes as required in countertop and apron. Note: Stiffening around perimeter of countertop is not required.

TO INSTALL:

1. Place gasket on underside of flange (see drawing).
2. Locate fryer over countertop cutout. Pass control panel through countertop cutout and bring through the control cutout on apron. Seat fryer onto countertop.
3. From underneath, insert screwdriver into slots on Wellstok frame and twist ears (counter-clockwise) to secure flange tightly to countertop.
4. Mount control box to apron using screws supplied. Mount front panel to control box.
5. Connect service leads to terminal block located in outlet box at rear of Fryer.

