

Bus Carts/Wall Shelves

High Quality 304 Stainless Steel Body



BUS CARTS



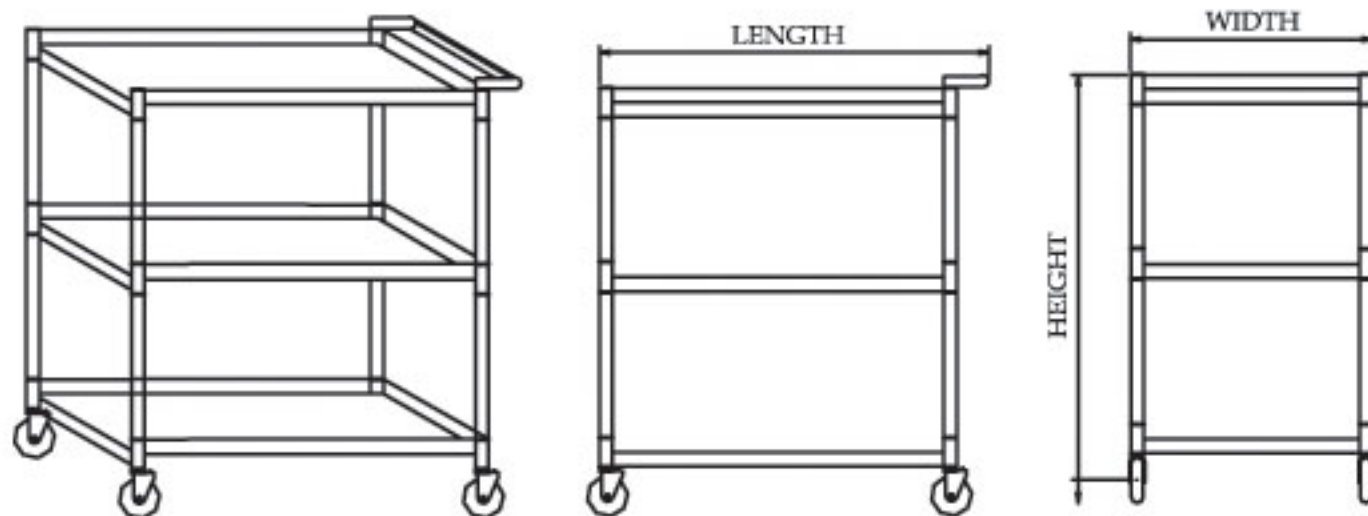
WALL SHELVES

FEATURES / BENEFITS (FOR BUS CARTS)

- ALL 304 STAINLESS STEEL
- ENTIRE CART IS PACKED IN ONE BOX
- 4" RUBBER CASTERS
- ECONOMIC MODELS AVAILABLE (430 S/S)

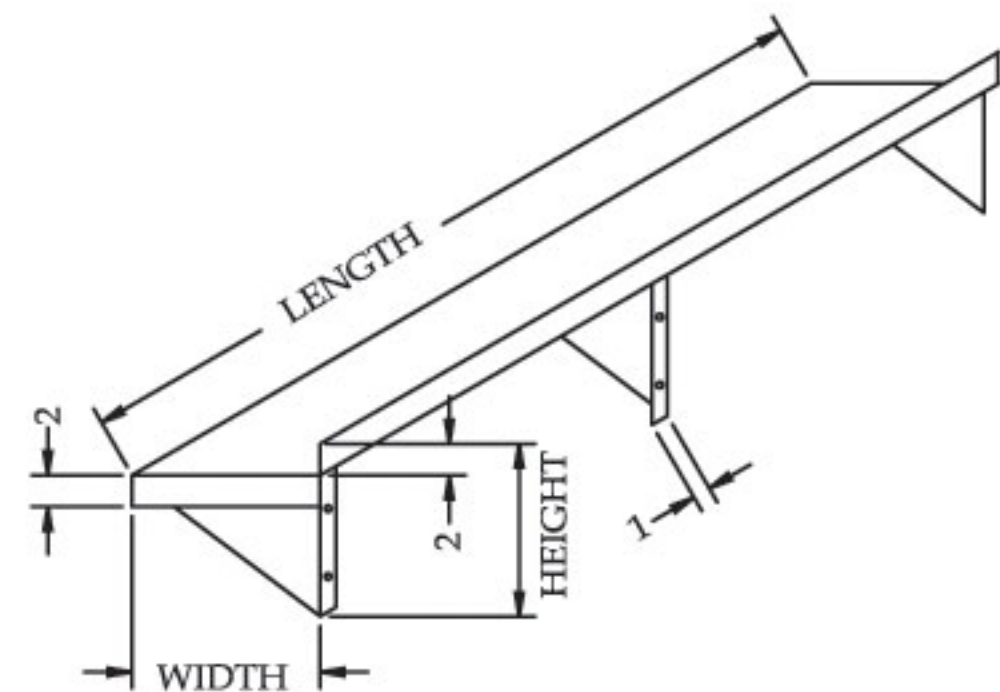
FEATURES / BENEFITS (FOR WALL SHELVES)

- ALL 304 STAINLESS STEEL
- WIDE SELECTION OF SIZES
- DIE-FORMED MOUNTING BRACKETS
- SPACE-SAVING WALL MOUNT DESIGN



(unit : inch)

Model	Ga.	W	L	H	Net Weight
TBUS-2133	18	21	33	33 1/2	40
TBUS-1828	18	18	28	33 1/2	30
TBUS-1524	18	15	24	33 1/2	25
TBUS-1828E	18	18	28	33 1/2	30
TBUS-1524E	18	15	24	33 1/2	25



(unit : inch)

Model	Ga.	W	L	H	Net Weight
TSWS-1224	18	12	24	10	10
TSWS-1236	18	12	36	10	12
TSWS-1248	18	12	48	10	14
TSWS-1260	18	12	60	10	17
TSWS-1272	18	12	72	10	19
TSWS-1284	18	12	84	10	22
TSWS-1296	18	12	96	10	24
TSWS-1424	18	14	24	11	11
TSWS-1436	18	14	36	11	13
TSWS-1448	18	14	48	11	15
TSWS-1460	18	14	60	11	19
TSWS-1472	18	14	72	11	21

* Please confirm at the time of the purchase. * Information and specifications are subject to change without notice.
 * All net weights are approximated. * All units shipped knocked - down.