

Compartment Sinks

Stainless Steel Equipment
Compartment Sinks



High Quality 304 Stainless steel
...THREE COMPARTMENT SINK...



TSA-3-N



TSA-4-N



TSA-3-D1



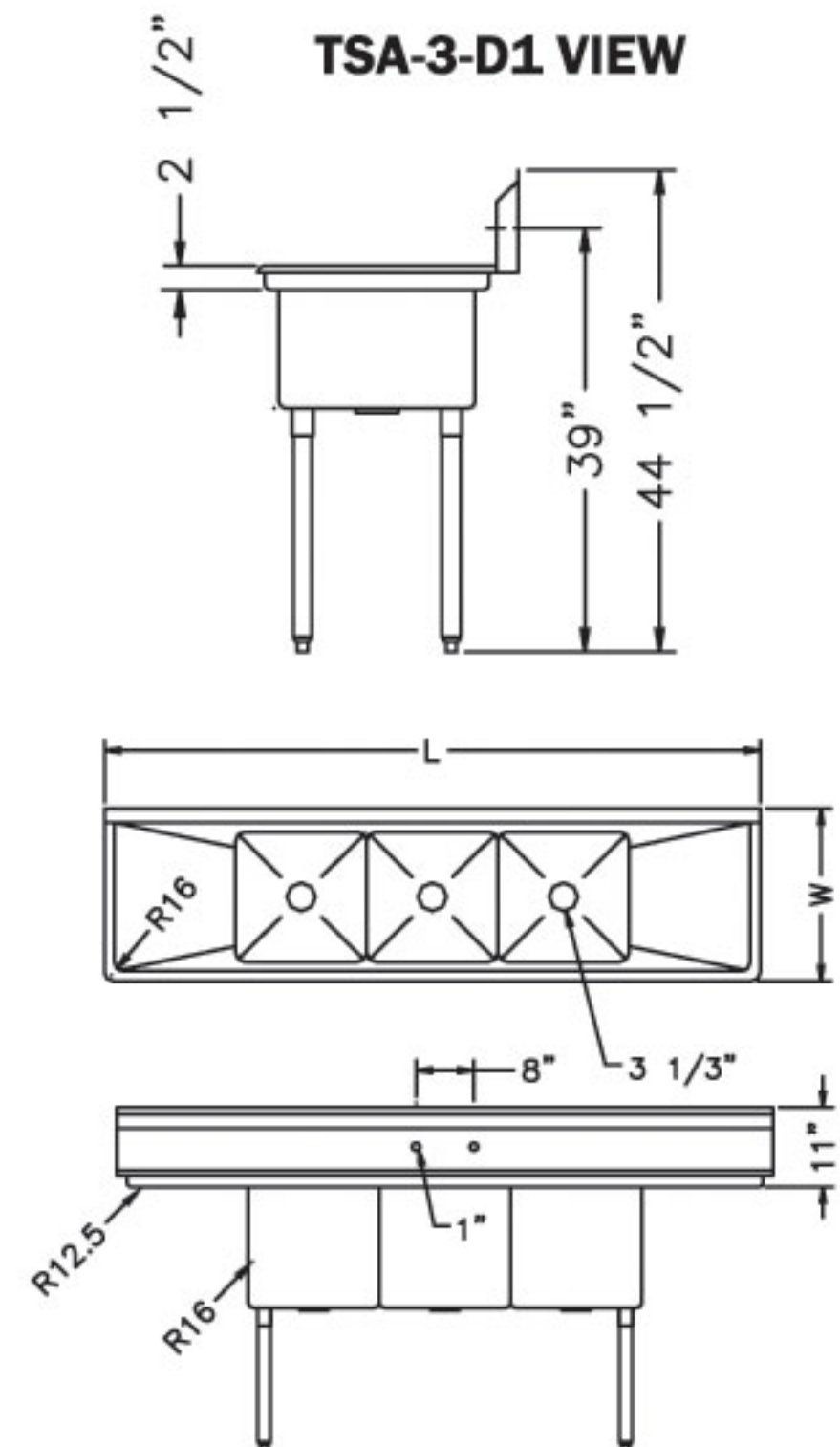
TSA-3-R1



FEATURES / BENEFITS

(unit : inch)

Model	Ga.	Bowl Size			Overall Size			# of Faucet Accepted	Net Weight
		W	L	H	W	L	H		
TSA-3-12-D1	18	18	18	12	24	90	44 ¹ / ₂	1	84
TSA-3-12-L1	18	18	18	12	24	75	44 ¹ / ₂	1	77
TSA-3-12-R1	18	18	18	12	24	75	44 ¹ / ₂	1	77
TSA-3-14-D1	18	18	18	14	24	90	44 ¹ / ₂	1	88
TSA-3-14-D2	18	18	18	14	24	102	44 ¹ / ₂	1	94
TSA-3-14-N	18	18	18	14	24	60	44 ¹ / ₂	1	75
TSA-3C-D1	18	18	18	11	24	57	44 ¹ / ₂	2	99
TSA-3-D1	18	18	18	11	24	90	44 ¹ / ₂	1	82
TSA-3-L1	18	18	18	11	24	75	44 ¹ / ₂	1	75
TSA-3-N	18	18	18	11	24	60	44 ¹ / ₂	1	68
TSA-3-R1	18	18	18	11	24	75	44 ¹ / ₂	1	75
TSA-4-14-D2	18	18	18	14	24	120	44 ¹ / ₂	2	115
TSA-4-D1	18	18	18	11	24	108	44 ¹ / ₂	2	100
TSA-4-N	18	18	18	11	24	78	44 ¹ / ₂	2	87
TSB-3-D2	16	24	24	14	30	120	44 ¹ / ₂	2	161
TSB-3-L2	16	24	24	14	30	99	44 ¹ / ₂	2	147
TSB-3-N	16	24	24	14	30	78	44 ¹ / ₂	2	133
TSB-3-R2	16	24	24	14	30	99	44 ¹ / ₂	2	147
TSCS-3-21	18	14	10	10	20	60	43 ⁵ / ₈	1	63
TSCS-3-23	18	16	14	12	22	72	43 ⁵ / ₈	1	89



* Please confirm at the time of the purchase. * Information and specifications are subject to change without notice.
* All net weights are approximated. * Crafting fee will be added for shipping via common carriers.