

COMPACT FREEZER

AT YOUR FINGERTIPS

- Low temperature storage where you need it.
- Great on a counter or on a shelf.
- High luster stainless steel exterior.
- Extra heavy-duty magnetic door gasket.



Model SKSF

SILVER KING[®]
WE'VE GOT REFRIGERATION DOWN COLD.[™]

S H E L F F R E E Z E R S P E C I F I C A T I O N S

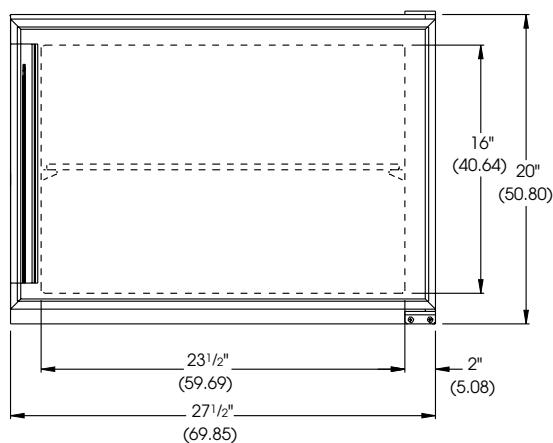
MODEL SKSF	EXTERIOR	Stainless steel, Galvanized back.
	INTERIOR	Corrosion-resistant material with coved corners throughout for fast, easy, cleaning and sanitation.
	INSULATION	Environmentally friendly foamed-in-place polyurethane insulation for maximum insulation, strength and durability.
	DOOR	Polyurethane insulation, extruded aluminum frame, stainless steel exterior door panel and extra heavy-duty magnetic "Thermo Rubber" door gasket combine to make the toughest, longest lasting door in the industry.
	SHELF	Heavy gauge wire shelf is hand-dipped, to provide double layer epoxy coating for superior durability and smooth handling. Adjustable 1/2" increments on stainless steel pilasters.
	REFRIGERATION	CFC-free, R401a refrigerant, hermetically sealed, high efficiency, self contained refrigeration system features automatic defrost and forced air circulation. Adjustable temperature control and built-in temperature indicator standard. Automatic condensate evaporator means no plumbing is required.
	ELECTRICAL	Standard 115 volt, 60Hz, single phase. 8 foot, 3-wire power cord with NEMA 5-15 plug.
	LISTINGS	cUL _{us} (U.S. and Canada), NSF International
	WARRANTY	One year materials and workmanship warranty on cabinet and refrigeration system. Five year warranty on compressor.

MODEL	LENGTH	DEPTH	HEIGHT	STORAGE CAPACITY	AMPS	COMPRESSOR	SHIPPING WEIGHT
SKSF	27 1/2"	32 7/8"	20"	4.4 cu. ft.	5.3	1/3 hp	130lbs

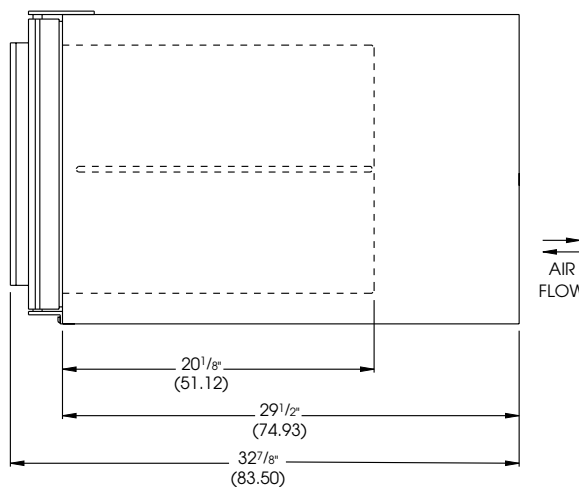


Specifications subject to change without notice.

(numbers in parenthesis are centimeters)



FRONT VIEW



SIDE VIEW



1600 Xenium Lane North
 Minneapolis, MN 55441-3787
 Phone (763) 923-2441
 Fax (763) 553-1209
www.silverking.com

#FNSKSF04
 © Silver King 2009
 Printed in U.S.A.