

ENGINEERED FOR

QUIET CONFIDENCE

- Front breathing design provides quiet operation.
- No need for rear, top or side ventilation.
- Saves valuable floor space —easily installed.
- Heavy-duty construction for unmatched reliability.



Model SKF48



Model SKF27


SILVER KING[®]
WE'VE GOT REFRIGERATION DOWN COLD.[™]

FRONT BREATHING FREEZER SPECIFICATIONS

MODEL SKF27

EXTERIOR Stainless steel, Galvanized back and bottom. Stainless steel back optional.

MODEL SKF48

INTERIOR Stainless steel floor. Sidewalls aluminum. Covered corners and finished edges for easy cleaning.

INSULATION Environmentally friendly foamed -in-place polyurethane insulation for maximum strength and durability.

DOORS Polyurethane insulation, heavy-duty extruded aluminum frame, stainless steel exterior door panel and extra heavy-duty magnetic "Thermo Rubber" door gaskets combine to make the toughest, longest lasting door in the industry.

CASTERS Supplied with 4 casters, (2 locking).

SHELVES Heavy gauge wire shelves are hand dipped, not sprayed, providing double-thick epoxy coating for superior durability and smooth finish. Adjustable in 1/2" increments on stainless steel pilasters.

REFRIGERATION CFC-free, R404a refrigerant, hermetically sealed, high efficiency, self contained refrigeration system features automatic defrost and forced air circulation. Adjustable temperature control and built-in temperature indicator standard. Automatic condensate evaporator eliminates the need for plumbing or floor drains.

ELECTRICAL Standard as 115 volt, 60Hz, single phase operation. 8 foot, 3-wire power cord with NEMA 5-15 plug. Also available in 230 volt, 50Hz, single phase.

LISTINGS cULus (U.S. and Canada), NSF International

WARRANTY One year materials and workmanship warranty on cabinet and refrigeration system. Five year warranty on compressor.

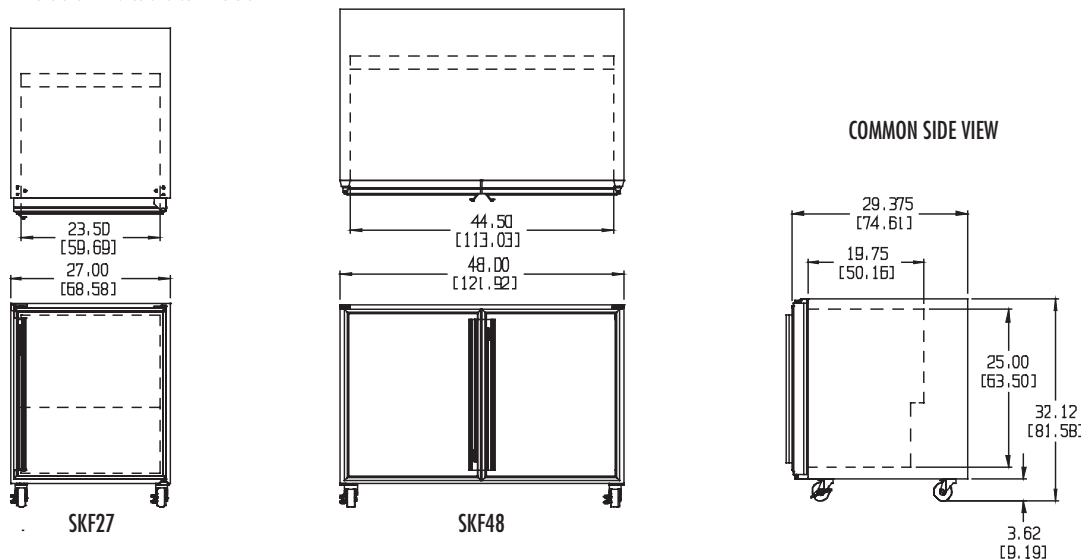
ACCESSORIES Stacking Kit, Stainless Steel Worktop, Stainless Steel Backsplash, Full Top Cutting Board, Glass Doors, Legs, Cart Kit, Cylinder Door Locks.

MODEL	LENGTH	DEPTH	HEIGHT	STORAGE		COMPRESSOR	AMPS	WEIGHT
				CAPACITY	SHELVES			
SKF27	27	29 3/8"	32 1/8"	6.5 cu. ft.	2	1/3 hp	5.0	165 lbs
SKF48	48	29 3/8"	32 1/8"	12.2 cu. ft.	4	1/2 hp	6.7	255 lbs



Specifications subject to change without notice.

Dimensions in inches and centimeters



1600 Xenium Lane North
 Minneapolis, MN 55441-3787
 Phone (763) 923-2441
 Fax (763) 553-1209
 www.silverking.com

#FNSKF04
 © Silver King 2009
 Printed in U.S.A.