

ENGINEERED FOR THE

PERFECT FIT

- Super-compact on the outside
- Lots of storage room on the inside
- Ideal for installation in tight places
- No plumbing or floor drains required




Model SKSR



Money Isn't All You're Saving

SILVER KING[®]
WE'VE GOT REFRIGERATION DOWN COLD.[™]

SHELF REFRIGERATOR SPECIFICATIONS

MODEL SKSR	EXTERIOR	Stainless steel, Galvanized back.
	INTERIOR	Corrosion-resistant material with coved corners throughout for easy cleaning and sanitation.
	INSULATION	Environmentally friendly foamed-in-place polyurethane insulation for maximum strength and durability.
	DOOR	Polyurethane insulation, heavy-duty extruded aluminum frame, stainless steel exterior door panel and extra heavy-duty magnetic "Thermo Rubber" door gaskets combine to make the toughest, longest lasting door in the industry. Glass door with interior light optional.
	SHELF	Heavy gauge wire shelf is hand dipped, not sprayed, providing double thick epoxy coating for superior durability and smooth finish. Adjustable in 1/2" increments on stainless steel pilasters.
	REFRIGERATION	CFC-free refrigerant. Hermetically sealed, high efficiency, self contained refrigeration system features automatic defrost and forced air circulation. Adjustable temperature control and built-in temperature indicator standard. Automatic condensate evaporator eliminates the need for plumbing or floor drains.
	ELECTRICAL	Standard as 115 volt, 60Hz, single phase operation. 8 foot, 3-wire power cord with NEMA 5-15 plug. Available in 230 volt, 50/60 Hz, single phase.
	LISTINGS	 (U.S. and Canada), NSF International
	WARRANTY	One year warranty parts and labor on cabinet and refrigeration system. Five year warranty on compressor.

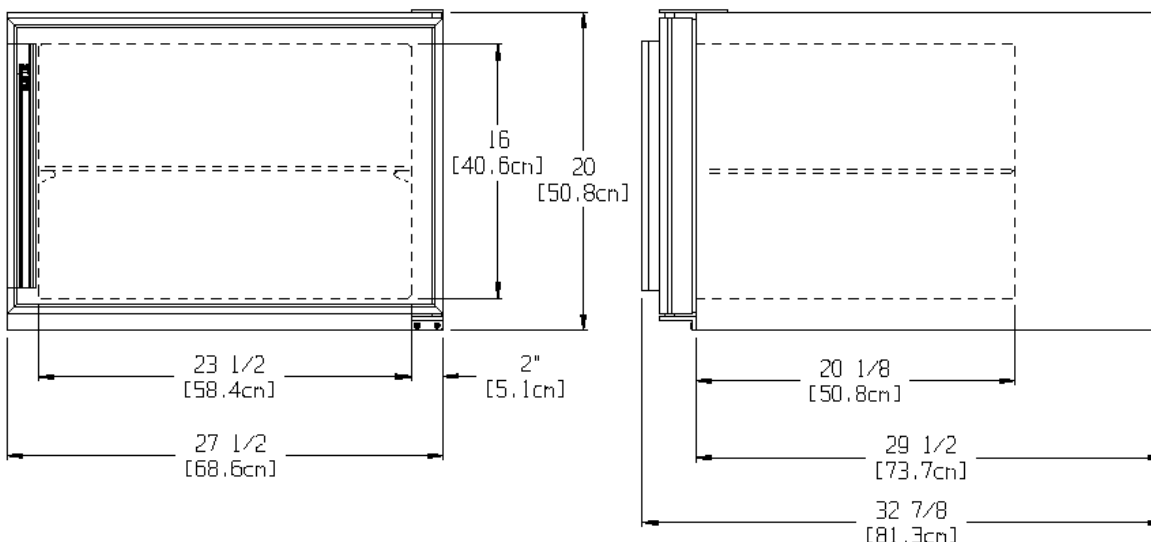
MODEL	LENGTH	DEPTH	HEIGHT	STORAGE CAPACITY	COMPRESSOR	AMPS	WEIGHT
SKSR	27 1/2"	32 7/8"	20"	4.4 cu. ft.	1/6 hp	4.9	145 lbs



Specifications subject to change without notice.



Dimensions in inches and centimeters



1600 Xenium Lane North
 Minneapolis, MN 55441-3787
 Phone (763) 923-2441
 Fax (763) 553-1209
 www.silverking.com

#FNSKSR04
 © Silver King 2009
 Printed in U.S.A.