

THE QUIET

SPACE SAVERS

- Operation so quiet it's almost silent.
- Front breathing design saves floor space.
- Flush top for easy under counter installation.
- No plumbing or floor drains required.



Model SKR60



Model SKR48



Model SKR27



Money Isn't All You're Saving

SILVER KING[®]
WE'VE GOT REFRIGERATION DOWN COLD.[™]

FRONT BREATHING REFRIGERATOR SPECIFICATIONS

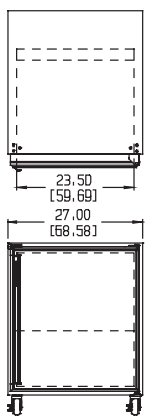
MODEL SKR27
MODEL SKR48
MODEL SKR60

- EXTERIOR** Stainless steel, Galvanized back and bottom. Stainless steel back optional.
- INTERIOR** Stainless steel floor. Sidewalls aluminum. Covered corners and finished edges for easy cleaning.
- INSULATION** Environmentally friendly foamed-in-place polyurethane insulation for maximum strength and durability.
- DOORS** Polyurethane insulation, heavy-duty extruded aluminum frame, stainless steel exterior door panel and extra heavy-duty magnetic "Thermo Rubber" door gaskets combine to make the toughest, longest lasting door in the industry.
- SHELVES** Heavy gauge wire shelves are hand dipped, not sprayed, providing double-thick epoxy coating for superior durability and smooth finish. Adjustable in 1/2" increments on stainless steel pilasters.
- REFRIGERATION** CFC-free, R134a refrigerant, hermetically sealed, high efficiency, self contained refrigeration system features automatic defrost and forced air circulation. Adjustable temperature control and built-in temperature indicator standard. Automatic condensate evaporator eliminates the need for plumbing or floor drains.
- ELECTRICAL** Standard as 115 volt, 60Hz, single phase operation. 8 foot, 3-wire power cord with NEMA 5-15 plug. Also available in 230 volt, 50Hz, single phase.
- LISTINGS** cULus (U.S. and Canada), NSF International
- WARRANTY** One year materials and workmanship warranty on cabinet and refrigeration system. Five year warranty on compressor.
- ACCESSORIES** Stacking Kit, Stainless Steel Worktop, Stainless Steel Backsplash, Full Top Cutting Board, Glass Doors, Legs, Cart Kit, Cylinder Door Locks

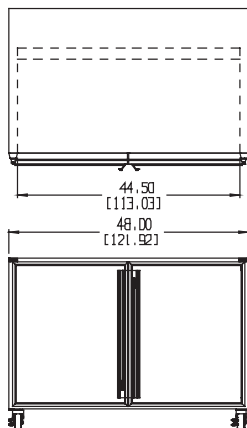
MODEL	LENGTH	DEPTH	HEIGHT	STORAGE CAPACITY	SHELVES	SHELF AREA	COMPRESSOR	AMPS	WEIGHT
SKR27	27	29 3/8"	32 1/8"	6.5 cu. ft.	2	8.5 sq. ft.	1/5 hp	2.2	165 lbs
SKR48	48	29 3/8"	32 1/8"	12.2 cu. ft.	4	15.3 sq. ft.	1/4 hp	3.1	255 lbs
SKR60	60	29 3/8"	32 1/8"	15.3 cu. ft.	4	19.6 sq. ft.	1/3 hp	7.5	340 lbs



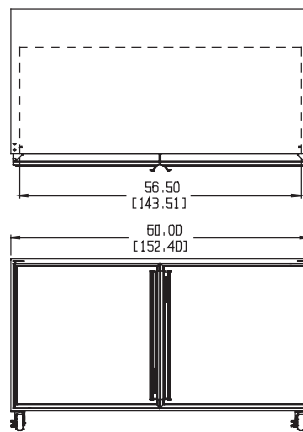
Dimensions in inches and centimeters



SKR27

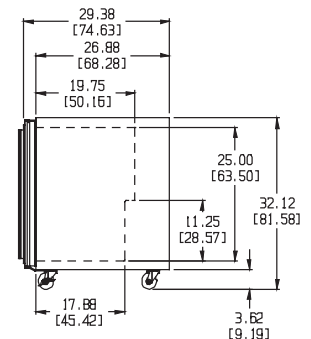


SKR48



SKR60

COMMON SIDE VIEW



SILVER KING
WE'VE GOT REFRIGERATION DOWN COLD

1600 Xenium Lane North
Minneapolis, MN 55441-3787
Phone (763) 923-2441
Fax (763) 553-1209
www.silverking.com



Specifications subject to change without notice.

#FNSKFBR04
© Silver King 2009
Printed in U.S.A.