

MAXIMUM CAPACITY

MEGA PERFORMANCE

- Mega-Top design holds 3 rows of pans
- Front breathing for flush installation
- Forced air circulation & automatic defrost
- Compact dimensions/maximum storage
- Maintains NSF7 required temperatures

Model SKP6024

Model SKP4818

Model SKP2712

Model SKP7230

**SILVER KING**[®]
WE'VE GOT REFRIGERATION DOWN COLD...

MEGA-TOP PREP TABLE SPECIFICATIONS

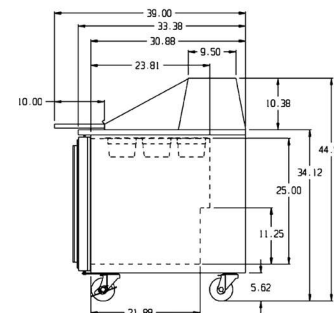
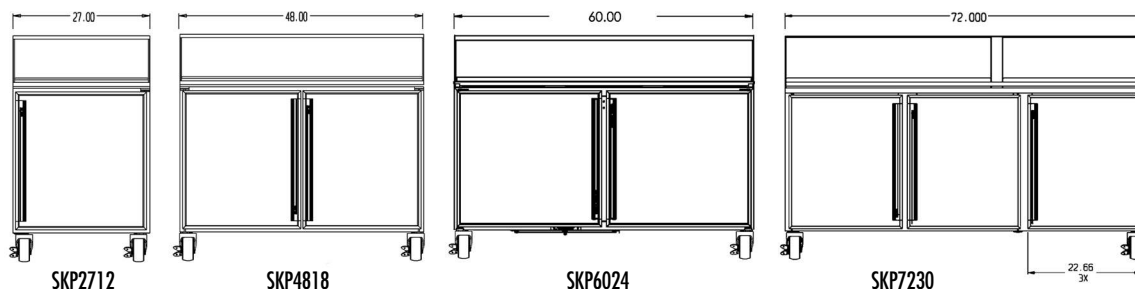
MODELS SKP2712, SKP4818, SKP6024, SKP7230	EXTERIOR	Stainless steel, galvanized back.
	INTERIOR	Stainless steel floor. Aluminum sidewalls. Covered corners and finished edges for easy cleaning.
	INSULATION	Environmentally friendly foamed -in-place polyurethane insulation for maximum strength and durability.
	DOORS	Polyurethane insulation, heavy-duty extruded aluminum frame, stainless steel exterior door panel and extra heavy-duty magnetic "Thermo Rubber" door gaskets combine to make the toughest, longest lasting door in the industry.
	SHELVES	Heavy gauge wire shelves are hand dipped, not sprayed, providing double thick epoxy coating for superior durability and smooth finish. Adjustable in 1/2" increments on stainless steel pilasters.
	CASTERS	Supplied with heavy-duty casters, (two with locks) threaded to Rivnuts, secured to a 12 gauge steel base to ensure years of trouble free operation.
	REFRIGERATION	CFC-free refrigerant. Hermetically sealed, high efficiency, self contained refrigeration system features automatic defrost and forced air circulation. Adjustable temperature control and built-in temperature indicator standard. Automatic condensate evaporator means no plumbing or floor drains. Front breathing and venting allows for flush installation on all sides.
	ELECTRICAL	Standard as 115 volt, 60Hz, single phase operation. 8 foot, 3-wire power cord with NEMA 5-15 plug. Available in 230 volt, 50 Hz, single phase.
	LISTINGS	ETL (U.S. and Canada), NSF International.
	WARRANTY	One year parts and labor warranty on cabinet and refrigeration system. Five year warranty on compressor.

MODEL	LENGTH	DEPTH	HEIGHT	STORAGE CAPACITY	SHELVES	SHELF AREA	COMPRESSOR	AMPS	WEIGHT
SKP2712	27"	33 ³ / ₈ "	44 ¹ / ₂ "	7.9 cu. ft.	2	10.4 sq. ft.	1/4 hp	4.9	230 lbs
SKP4818	48"	33 ³ / ₈ "	44 ¹ / ₂ "	14.8 cu. ft.	4	18.1 sq. ft.	1/3 hp	5.8	355 lbs
SKP6024	60"	33 ³ / ₈ "	44 ¹ / ₂ "	18.6 cu. ft.	4	23.6 sq. ft.	1/2 hp	7.2	420 lbs
SKP7230	72"	33 ³ / ₈ "	44 ¹ / ₂ "	22.7 cu. ft.	6	29.2 sq. ft.	1/2 hp	10.2	505 lbs



Specifications subject to change without notice.

Dimensions in inches



COMMON END VIEW



1600 Xenium Lane North
 Minneapolis, MN 55441-3787
 Phone (763) 923-2441
 Fax (763) 553-1209
 www.silverking.com

#FNSKMP03
 © Silver King 2002
 Printed in U.S.A.