

robot coupe

"Inventor & World Leader in Food Processors"

R2N Ultra

Commercial Food Processor

The improved R2N Ultra from Robot Coupe.



***Prepare 850 servings in
3 hours or less!***

Vegetable prep attachment specially designed for quality, continuous feed slicing, shredding, grating and julienne. Accommodates 21 different processing blades.

Bowl attachment designed for vertical cutting and mixing: mix, chop, puree, blend, mix and knead doughs.

- 3 quart "stock pot" shaped, stainless steel cutter bowl with handle and "S" blade
- Direct drive, fan-cooled 1/2 H.P. motor.
- Attachments easily removed for cleaning.
- Continuous feed vegetable prep attachment with two deep feed openings.
- Stainless steel cutting plates
- See-thru lid.
- Comes with 2 cutting plates as standard.
- "On-off" & pulse switches.
- 3 year motor warranty
- 1 year parts and labor warranty.



Robot Coupe U.S.A., Inc.

P.O. Box 16625

Jackson, MS 39236-6625

1-800-824-1646 • (601) 898-8411

FAX: (601) 898-9134

www.robotcoupeusa.com • e-mail: robocoup@misnet.com

SPECIFICATIONS ON REVERSE SIDE

Specifications

STANDARD MODEL: Includes motor base unit with "on-off" pulse switch, 3 quart stainless steel cutter bowl with handle, stainless steel "S" blade, continuous feed unit with discharge plate, one medium $\frac{5}{64}$ " (2mm) grating plate and one $\frac{5}{32}$ " (4mm) slicing plate.

ELECTRICAL: 120V, 60 cycle, 7.0 Amps.

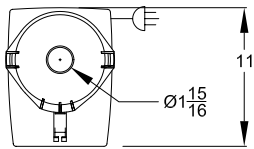
MOTOR: 1/2 H.P., capacitor-type, fan-cooled, single phase, 1725 R.P.M.

SWITCHING: "on-off"& pulse push type switch, that will not operate with bowl or cover off.

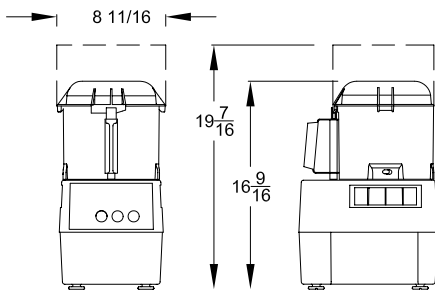
BOWL CAPACITY: 3 Quarts.

WEIGHT: 29 lbs. net, 33 lbs. approximate shipping weight.

OPTIONAL EQUIPMENT: 19 additional processing plates. Free standing plate rack R255 holds 9 processing plates.



BOWL UNIT



WRK 3/25/03 8:2 AM KW-R2N Ultra 3Qt.dwg

PROCESSING PLATES:

Slicing Plates

R210 - $\frac{5}{64}$ " (2mm)

R211 - $\frac{5}{32}$ " (4mm)

R270 - $\frac{1}{4}$ " (6.5mm)

R291 - $\frac{1}{32}$ " (1mm)

R292 - $\frac{1}{8}$ " (3mm)

R293 - $\frac{3}{16}$ " (5mm)

Waved Slicing Plate

R212 - $\frac{1}{16}$ " (1.5mm)

Grating Plates

R271 - $\frac{1}{64}$ " (0.5mm) Hard Cheese

R208 - $\frac{1}{16}$ " (1.5mm) Fine

R209 - $\frac{5}{64}$ " (2mm) Medium

R281 - $\frac{5}{32}$ " (4mm) Medium Coarse

R280 - $\frac{1}{4}$ " (6.5mm) Coarse

R215 - $\frac{5}{16}$ " (8mm) Extra Coarse

Pulping Plates

R294 - $\frac{1}{64}$ " (.7mm) Pulping

R295 - $\frac{1}{32}$ " (1mm) Pulping

Julienne Plates

R213 - $\frac{1}{4}$ " (6.5mm)

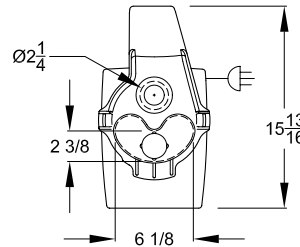
R214 - $\frac{5}{64}$ " (2mm)

R288 - $\frac{5}{32}$ " (4mm)

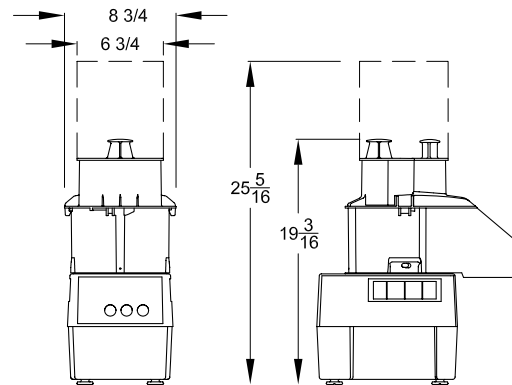
R296 - $\frac{5}{64}$ " x $\frac{5}{32}$ " (2x4mm)

R297 - $\frac{5}{64}$ " x $\frac{1}{4}$ " (2x6mm)

R298 - $\frac{5}{16}$ " x $\frac{5}{16}$ " (8x8mm)



CONTINUOUS FEED UNIT



WRK 3/25/03 8:2 AM KW-R2N Ultra 3Qt.dwg

Robot Coupe U.S.A., Inc.

P.O. Box 16625

Jackson, MS 39236-6625

1-800-824-1646

(601) 898-8411

FAX: (601) 898-9134

www.robotcoupeusa.com

e-mail: robocoup@misnet.com

Distributed by: