

The **NEW R2DICE** from Robot Coupe



Prepare 850 servings in 3 hours or less!

Vegetable prep attachment specially designed for quality, continuous feed **dicing, slicing, shredding, grating** and **julienne**. Accommodates 21 different processing plates and 3 different size dicing kits.

Bowl attachment designed for vertical cutting and mixing: **mix, chop, purée, blend, mix** and **knead doughs**.

- 3 quart "stock pot" shaped, cutter bowl with handle and "S" blade.
- Direct drive, fan-cooled 2 H.P. motor.
- Attachments easily removed for cleaning.
- Continuous feed vegetable prep attachment with two deep feed openings.
- See-thru lid.
- Comes with 2 stainless steel processing plates as standard plus 10mm dicing kit.
- "On-off" & pulse switches.
- 3 year motor warranty.
- 1 year parts and labor warranty.

Specifications

STANDARD MODEL: Includes motor base unit with "on-off" pulse switch, 3 quart cutter bowl with handle and stainless steel "S" blade, continuous feed unit with discharge plate, one medium $\frac{5}{64}$ " grating assembly, one $\frac{5}{32}$ " slicing plate and 10mm dicing kit.

ELECTRICAL: 120V, 60 cycle, 13 Amps.

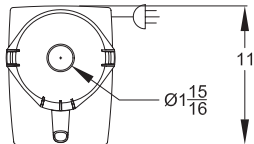
MOTOR: 2 H.P., capacitor-type, fan-cooled, single phase, 1725 R.P.M.

SWITCHING: "on-off" and pulse push type switch, that will not operate with bowl or cover off.

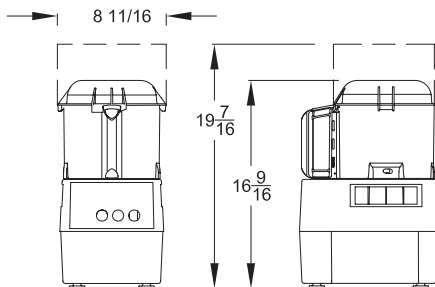
BOWL CAPACITY: 3 Quarts.

WEIGHT: 35 lbs. net, 37 lbs. approximate shipping weight.

OPTIONAL EQUIPMENT: 21 additional processing plates and 2 additional dicing kits. Free standing plate rack R255 holds 9 processing plates.



BOWL UNIT



PROCESSING PLATES:

Slicing Plates

- R210 - $\frac{5}{64}$ " (2mm)
- R211 - $\frac{5}{32}$ " (4mm)
- R270 - $\frac{1}{4}$ " (6.5mm)
- R291 - $\frac{1}{32}$ " (1mm)
- R292 - $\frac{1}{8}$ " (3mm)
- R293 - $\frac{3}{16}$ " (5mm)

Waved Slicing Plate

- R212 - $\frac{1}{16}$ " (1.5mm)

Grating Plates

- R271 - $\frac{1}{64}$ " (0.5mm) Hard Cheese
- R208 - $\frac{1}{16}$ " (1.5mm) Fine
- R209 - $\frac{5}{64}$ " (2mm) Medium
- R281 - $\frac{5}{32}$ " (4mm) Medium Coarse
- R280 - $\frac{1}{4}$ " (6.5mm) Coarse
- R215 - $\frac{5}{16}$ " (8mm) Extra Coarse

Pulping Plates

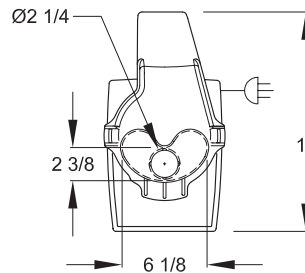
- R294 - $\frac{1}{64}$ " (.7mm) Pulping
- R295 - $\frac{1}{32}$ " (1mm) Pulping

Julienne Plates

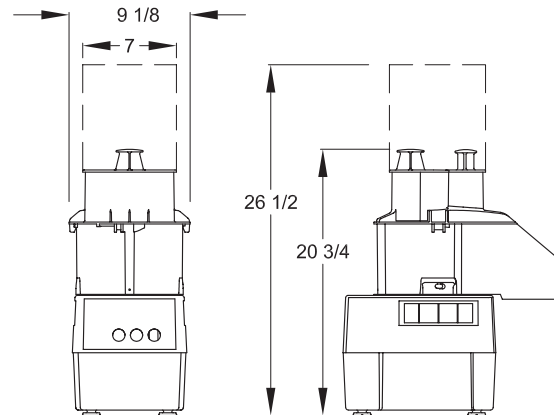
- R213 - $\frac{1}{4}$ " (6.5mm)
- R214 - $\frac{5}{64}$ " (2mm)
- R288 - $\frac{5}{32}$ " (4mm)
- R296 - $\frac{5}{64}$ " x $\frac{5}{32}$ " (2x4mm)
- R297 - $\frac{5}{64}$ " x $\frac{1}{4}$ " (2x6mm)
- R298 - $\frac{5}{16}$ " x $\frac{5}{16}$ " (8x8mm)

Dicing Kits

- 27264 - 8mm Dicing Kit
- 27265 - 10mm Dicing Kit
- 27266 - 12mm Dicing Kit



CONTINUOUS FEED UNIT



Robot Coupe U.S.A., Inc.

P.O. Box 16625
 Jackson, MS 39236-6625
 1-800-824-1646
 (601) 898-8411
 FAX: (601) 898-9134
 www.robotcoupeusa.com
 e-mail: info@robotcoupeusa.com

Distributed by: