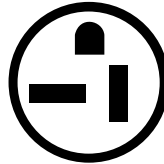


Panini Grill P1L Pre-Installation Checklist

Power Requirements

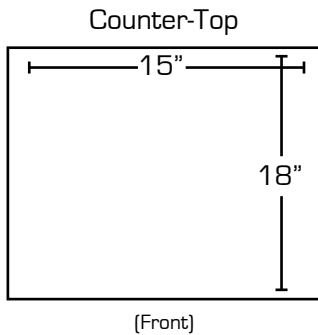
- Volts: 110 [voltage range of 110-125]
- Watts: 1700
- Amp draw: 16
- Receptacle: Nema 5-20



Nema 5-20

Counter-Space Requirements

- 12 inches [height]
- 20 inches [open height]
- 18 inches [depth]
- 15 inches [width]



NSF/ANSI Std.4



I the customer understand that these requirements must be in when the installer arrives. Failure to have the site ready will result in additional service and travel charges, and may cause further delays in installation.

Customer Name: _____ Signature: _____

Company Name: _____

Phone: _____ Fax: _____ E-mail: _____