



AdvantEDGE Undercounter/Worktable Refrigerators



PROJECT:

 ITEM NUMBER:

 MODEL NUMBER:

ADVANTEDGE UNDERCOUNTER/WORKTABLE REFRIGERATORS

SPECIFICATIONS FOR: NLUR27, NLUR48, NLUR60, NLUR72

- **Finish:** Stainless steel interior and exterior.
- **Insulation:** The complete cabinet and doors are foamed-in-place with polyurethane insulation.
- **Hardware:** Recessed pocket pull handle with two vinyl coated shelves per door, 6" diameter casters standard.
- **Electrical:** 115 volt, 60 Hz, 1 phase with cord and plug.
- **Refrigeration:** Self contained forced air refrigeration system. The condensate is collected and automatically evaporated from an energy efficient air over wick style vaporizer. Refrigerant flow is controlled by a capillary tube. R-134a refrigerant. Temperature range: 32°F to 40°F.
- **Approvals:** UL, C-UL and ETL Sanitation.

STANDARD FEATURES

- Air cooled condensing unit
- Automatic condensate vaporizer
- Automatic defrost
- Capillary tube system
- Casters standard
- Magnetic gaskets
- Recessed pocket pull handles
- Self closing doors
- Stainless steel interior and exterior
- UL, C-UL and ETL sanitation
- Vinyl coated shelves
- Warranties: 1 Year Parts & Labor, 5 Year Compressor

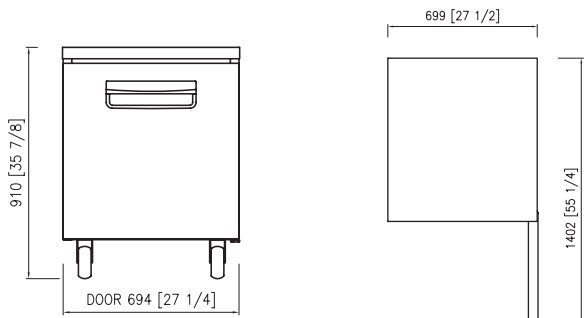
OPTIONAL FEATURES*

- Additional shelves
- Low profile casters



Nor-Lake, Inc.
 Registered to ISO 9001:2008
 File No. 10001816

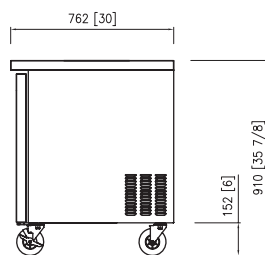
*Most options are available one week from receipt of order. Please contact us for specific questions.
 **C-UL is Underwriters Laboratories Safety Certification Mark which indicates that UL has tested the equipment to applicable CSA Standards.



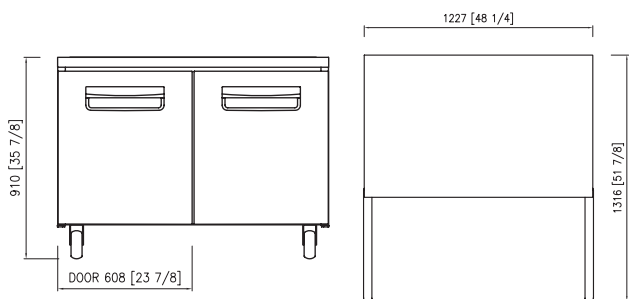
FRONT

NLUR27

TOP



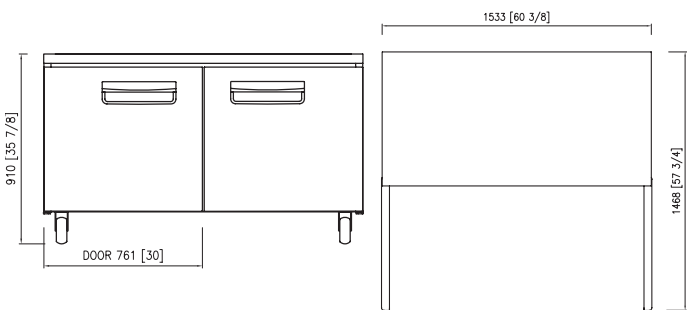
SIDE



FRONT

NLUR48

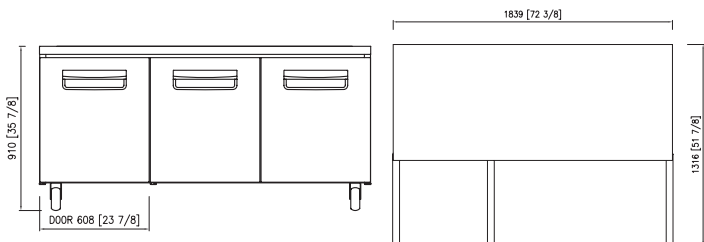
TOP



FRONT

NLUR60

TOP



FRONT

NLUR72

TOP

SPECIFICATIONS

Model	NLUR27	NLUR48	NLUR60	NLUR72
Crated Height	36-1/4"	36-1/4"	36-1/4"	36-1/4"
Crated Width	30-1/8"	51-1/8"	63"	74-3/8"
Crated Depth	33-1/2"	33-1/2"	33-1/2"	33-1/2"
Crated Weight (lbs.)	199	280	333	384
Interior Height	26-1/8"	26-1/8"	26-1/8"	26-1/8"
Interior Width	23-3/4"	44-5/8"	56-3/4"	68-5/8"
Interior Depth	20-1/4"	20-1/4"	20-1/4"	20-1/4"
Overall Height	35-7/8"	35-7/8"	35-7/8"	35-7/8"
Overall Width	27-1/2"	48-1/4"	60-3/8"	72-3/8"
Overall Depth	30"	30"	30"	30"
Gross Cubage (ft. ³)	7	13	16	20
Number of Shelves	2	4	4	6
Number of Casters	4	4	4	4
Condensing Unit Size	1/5 HP	3/8 HP	3/8 HP	3/8 HP
Refrigerant	R-134a	R-134a	R-134a	R-134a
Electrical Characteristics	115/60/1	115/60/1	115/60/1	115/60/1
Cord and Plug Furnished	Yes	Yes	Yes	Yes
Nema Plug Configuration	5-15P	5-15P	5-15P	5-15P
Total Amp Draw	3.2	7.9	7.9	8.1

Specifications subject to change without notice.



Revision: 5/10
 ©2010 Nor-Lake, Inc.
 Printed in the USA
 Part Number: 146627

